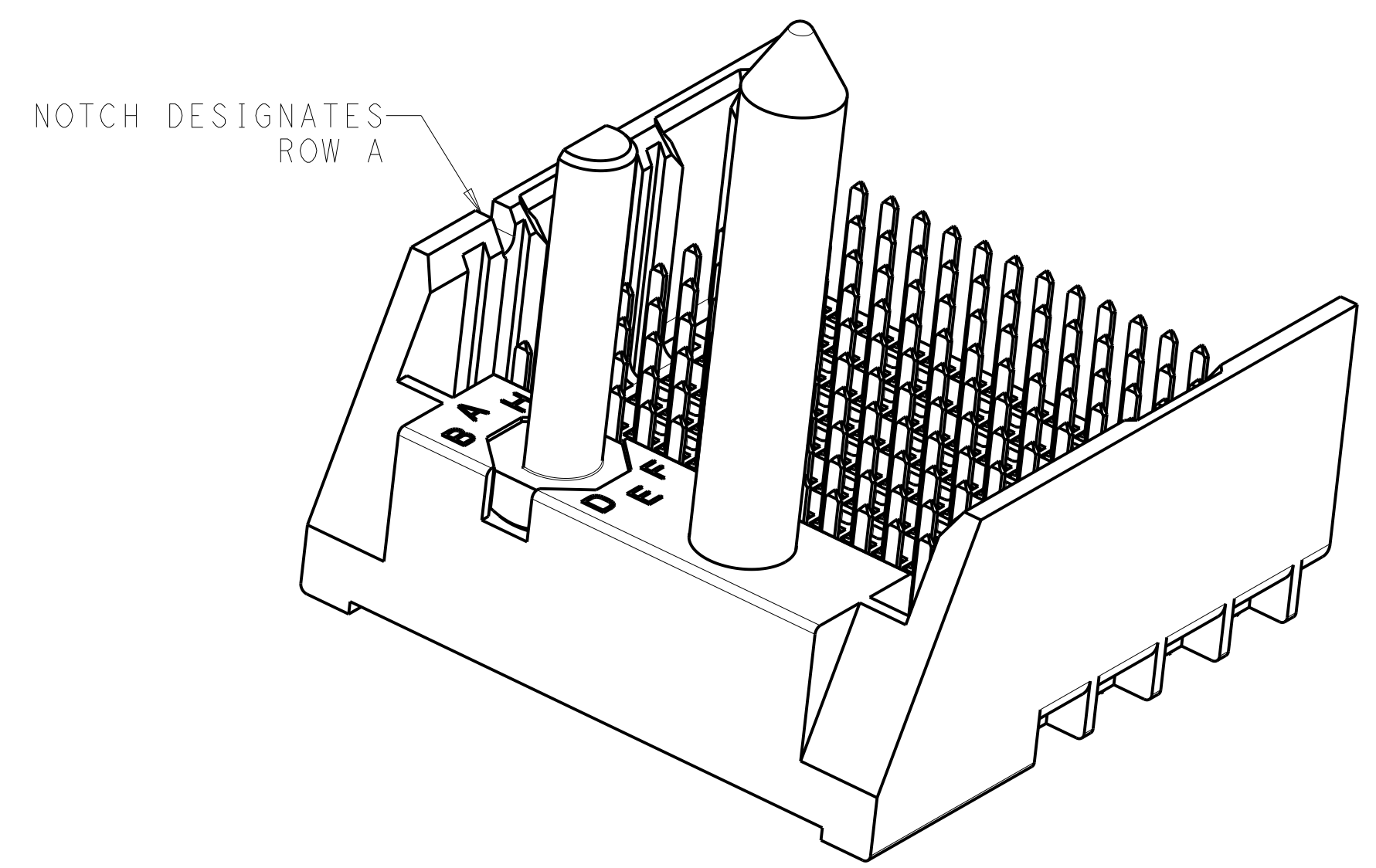
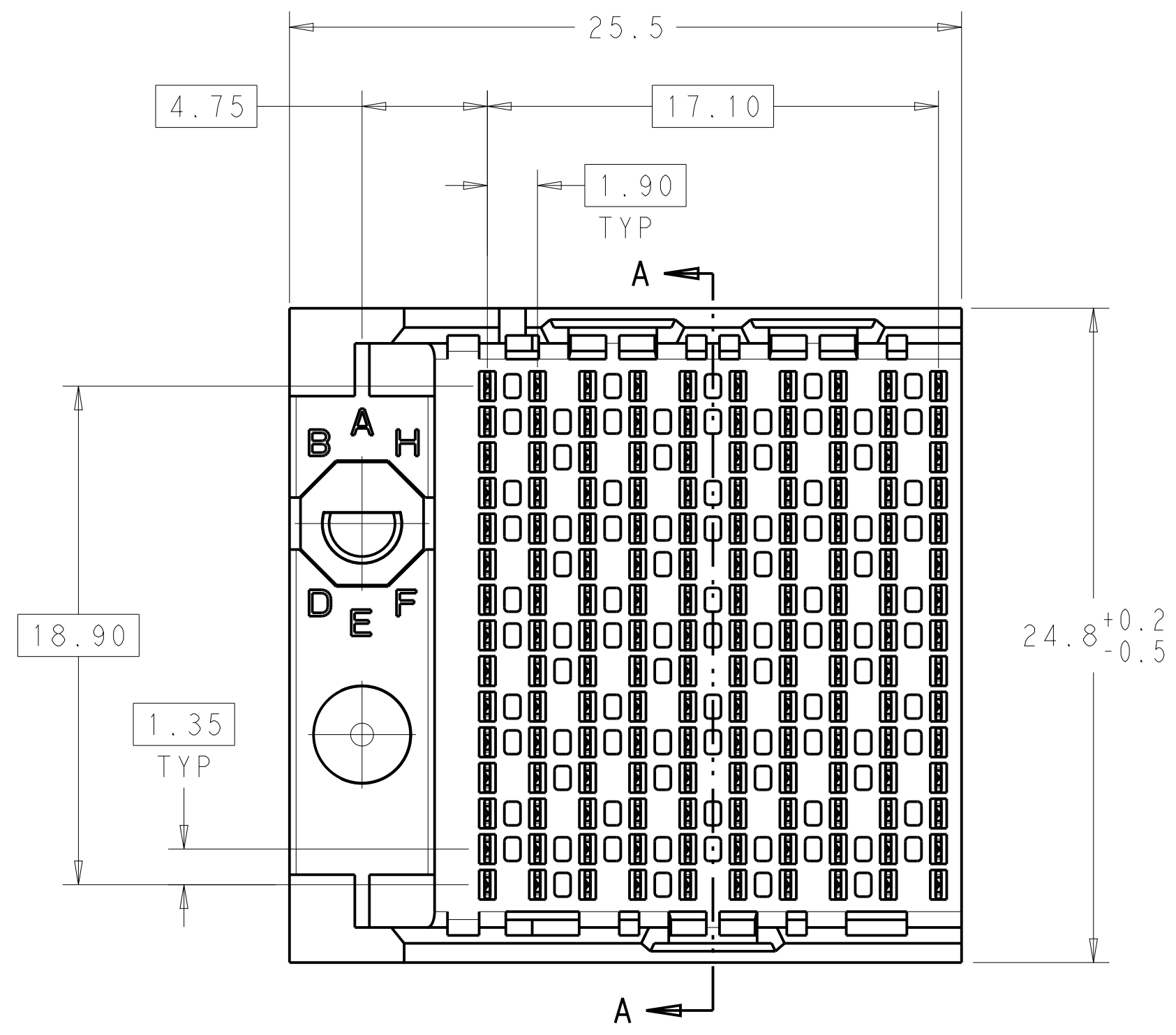
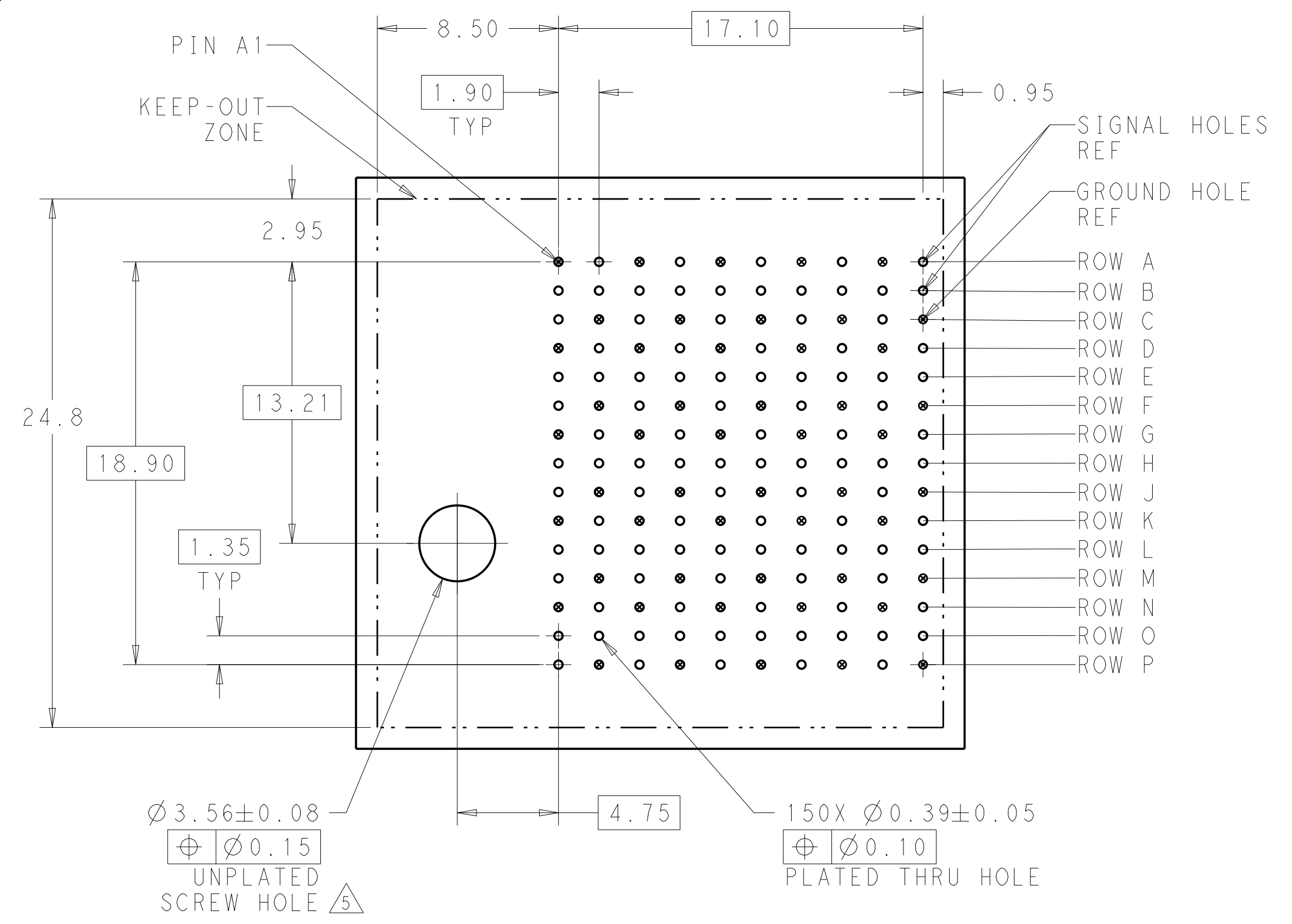


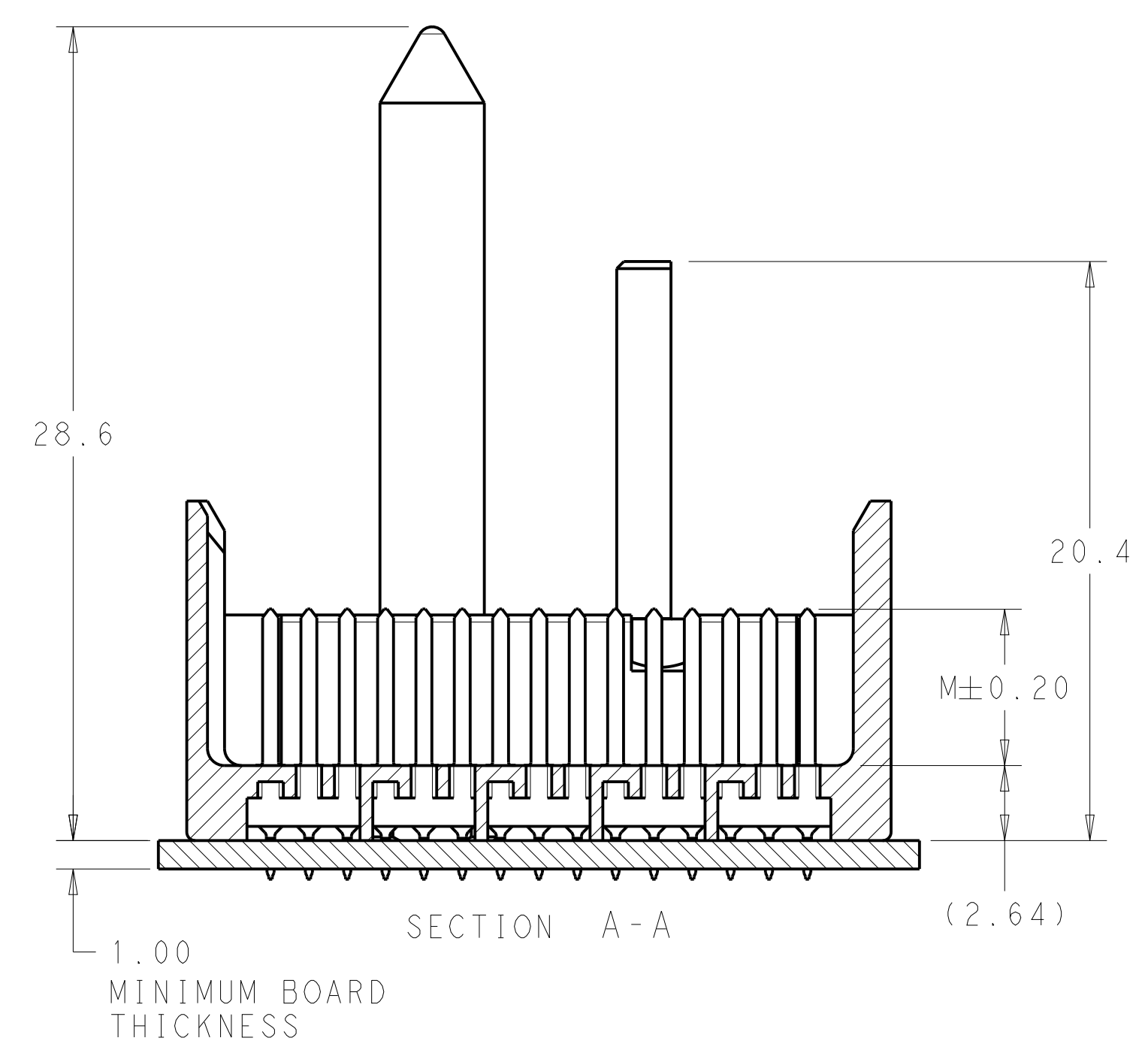
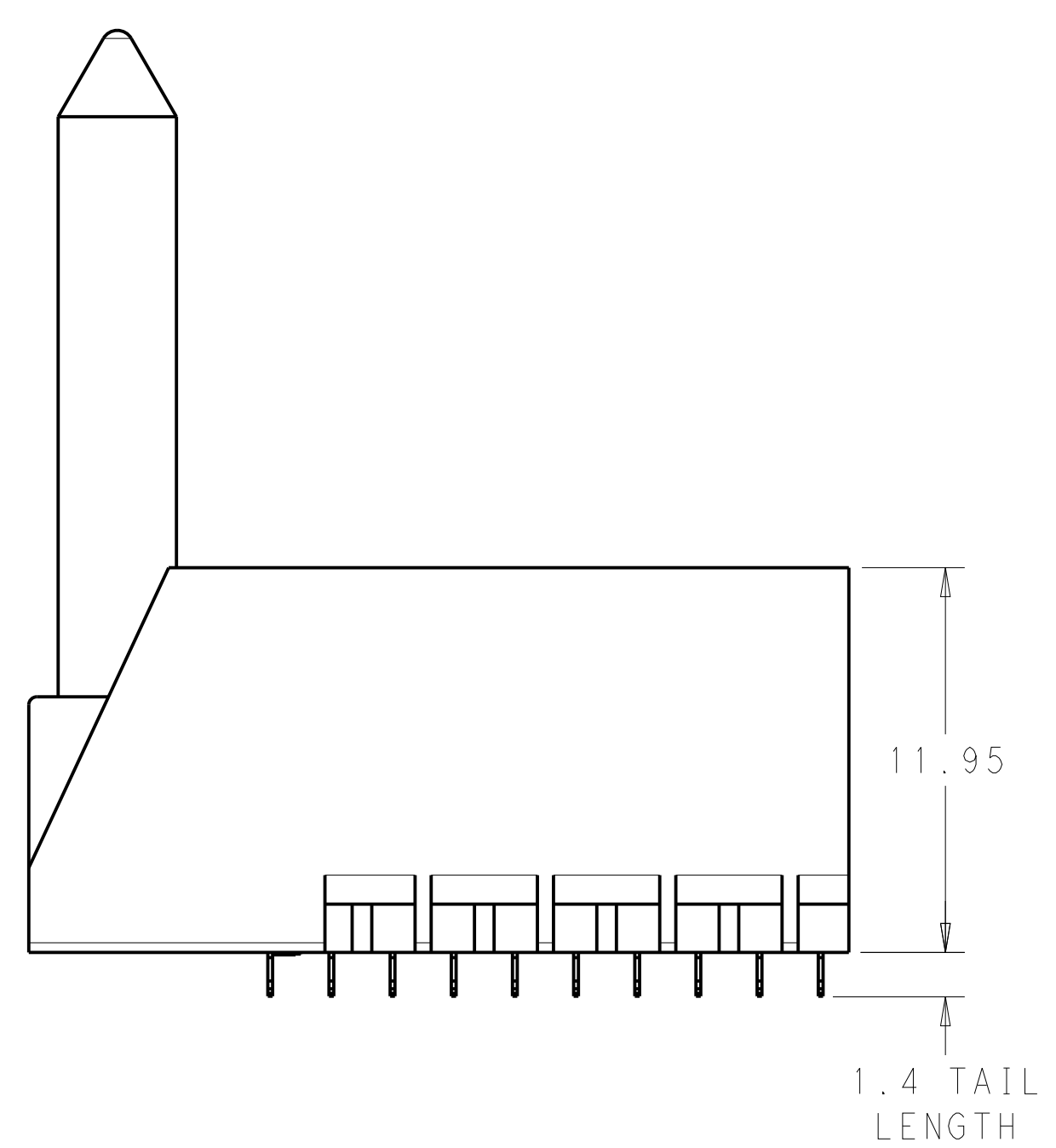
| REVISIONS | | | | |
|-----------|-----|---------------------------|-----------|-------|
| REV | LTN | DESCRIPTION | DATE | APV |
| C | | REVISED PER ECO-14-000933 | 28JAN2014 | AP DD |



- △ MATERIAL:
HOUSING: LCP, GLASS FILLED, UL94V-0.
TERMINALS: HIGH PERFORMANCE COPPER ALLOY.
- △ FINISH:
30μ" MIN GOLD IN CONTACT AREA. SELECTIVE TIN ON PCB TAILS, NICKEL OVERALL.
- △ FINISH:
30μ" MIN GOLD IN CONTACT AREA. SELECTIVE TIN-LEAD ON PCB TAILS, NICKEL OVERALL.
- 4. SCREWS PACKAGED IN END OF PACKAGING TUBE.
- △ FOR GROUNDED GUIDE PIN USE Ø3.56±0.08 PTH, Ø3.66 DRILL, AND Ø6.5 PAD.
- 6. KEYING PIN SHOWN IN POSITION A, SEE KEYING CHART ON SHEET 2 FOR OTHER POSITIONS.



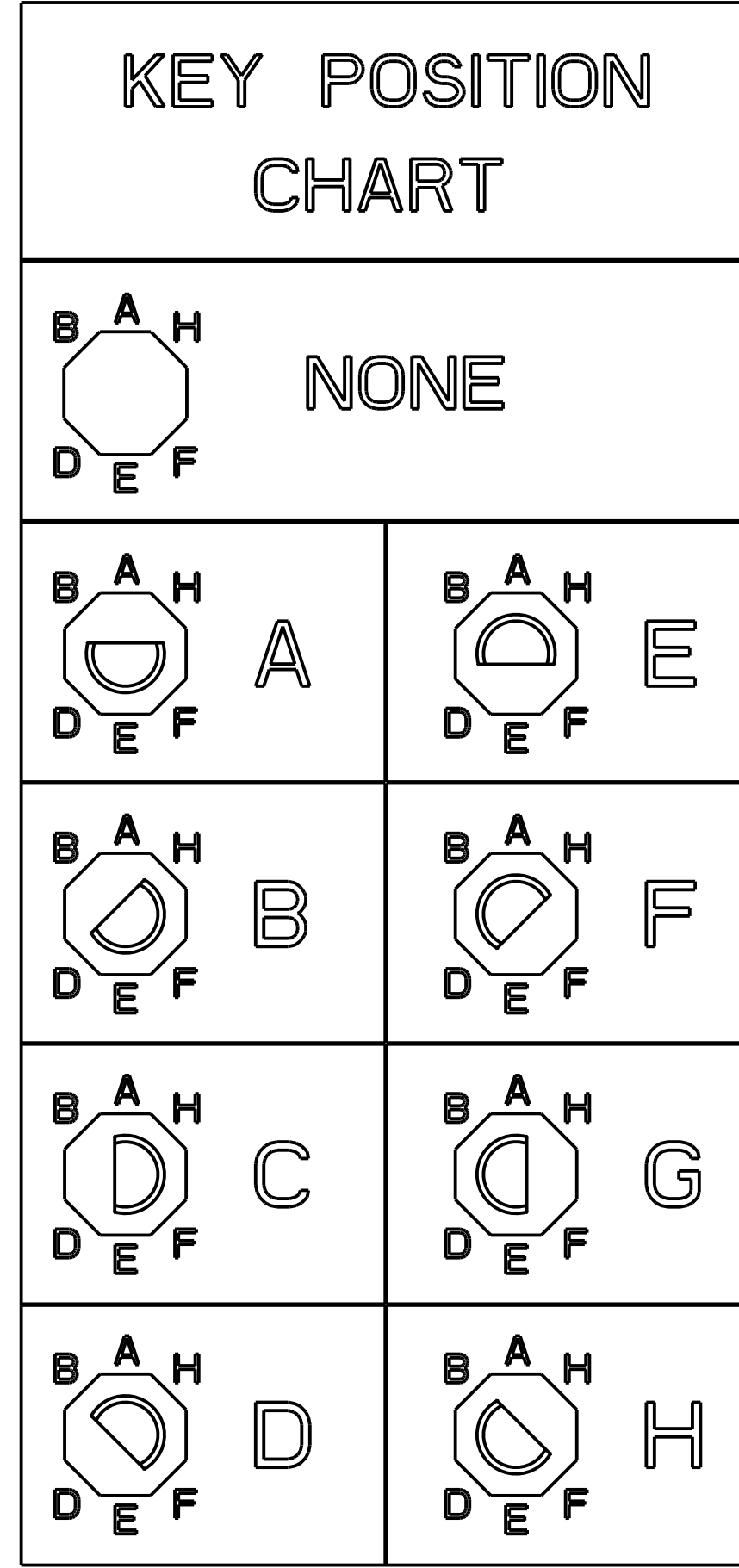
LEFT GUIDED BACKPLANE HOLE PATTERN (CONNECTOR SIDE)



| | | | |
|--|-----------|----------------------------|-----------------------------------|
| THIS DRAWING IS A CONTROLLED DOCUMENT. | | OWN J. K. SHOBER 02FEB2011 | TE Connectivity |
| DIMENSIONS: mm | | CHK J. EARY 02FEB2011 | |
| TOLERANCES UNLESS OTHERWISE SPECIFIED: | | APV J. EARY 02FEB2011 | NAME |
| 0 PLC | ± | PRODUCT SPEC | IMPACT, 5 PAIR, 10 COLUMN, HEADER |
| 1 PLC | ±0.25 | APPLICATION SPEC | LEFT GUIDED, OPEN END WALL |
| 2 PLC | ±0.13 | WEIGHT | SIGNAL MODULE, 0.39 PTH |
| 3 PLC | ± | SIZE | CAGE CODE DRAWING NO |
| 4 PLC | ± | RESTRICTED TO | A100779C=2007841 |
| ANGLES | ± | CUSTOMER DRAWING | SCALE 5:1 SHEET 1 OF 2 REV C |
| FINISH | SEE TABLE | | |

| REVISIONS | | | | |
|-----------|-----|-------------|------|------|
| P. | LTN | DESCRIPTION | DATE | APVD |
| - | - | SEE SHEET 1 | - | - |
| | | | | |
| | | | | |

| | | | |
|--------|--------------|-------|-------------|
| 3 | H | 5.5 | 8-2007841-6 |
| 3 | H | 4.9 | 8-2007841-5 |
| 3 | H | 4.5 | 8-2007841-4 |
| 2 | H | 5.5 | 8-2007841-3 |
| 2 | H | 4.9 | 8-2007841-2 |
| 2 | H | 4.5 | 8-2007841-1 |
| 3 | G | 5.5 | 7-2007841-6 |
| 3 | G | 4.9 | 7-2007841-5 |
| 3 | G | 4.5 | 7-2007841-4 |
| 2 | G | 5.5 | 7-2007841-3 |
| 2 | G | 4.9 | 7-2007841-2 |
| 2 | G | 4.5 | 7-2007841-1 |
| 3 | F | 5.5 | 6-2007841-6 |
| 3 | F | 4.9 | 6-2007841-5 |
| 3 | F | 4.5 | 6-2007841-4 |
| 2 | F | 5.5 | 6-2007841-3 |
| 2 | F | 4.9 | 6-2007841-2 |
| 2 | F | 4.5 | 6-2007841-1 |
| 3 | E | 5.5 | 5-2007841-6 |
| 3 | E | 4.9 | 5-2007841-5 |
| 3 | E | 4.5 | 5-2007841-4 |
| 2 | E | 5.5 | 5-2007841-3 |
| 2 | E | 4.9 | 5-2007841-2 |
| 2 | E | 4.5 | 5-2007841-1 |
| 3 | D | 5.5 | 4-2007841-6 |
| 3 | D | 4.9 | 4-2007841-5 |
| 3 | D | 4.5 | 4-2007841-4 |
| 2 | D | 5.5 | 4-2007841-3 |
| 2 | D | 4.9 | 4-2007841-2 |
| 2 | D | 4.5 | 4-2007841-1 |
| 3 | C | 5.5 | 3-2007841-6 |
| 3 | C | 4.9 | 3-2007841-5 |
| 3 | C | 4.5 | 3-2007841-4 |
| 2 | C | 5.5 | 3-2007841-3 |
| 2 | C | 4.9 | 3-2007841-2 |
| 2 | C | 4.5 | 3-2007841-1 |
| 3 | B | 5.5 | 2-2007841-6 |
| 3 | B | 4.9 | 2-2007841-5 |
| 3 | B | 4.5 | 2-2007841-4 |
| 2 | B | 5.5 | 2-2007841-3 |
| 2 | B | 4.9 | 2-2007841-2 |
| 2 | B | 4.5 | 2-2007841-1 |
| 3 | A | 5.5 | 1-2007841-6 |
| 3 | A | 4.9 | 1-2007841-5 |
| 3 | A | 4.5 | 1-2007841-4 |
| 2 | A | 5.5 | 1-2007841-3 |
| 2 | A | 4.9 | 1-2007841-2 |
| 2 | A | 4.5 | 1-2007841-1 |
| 3 | - | 5.5 | 2007841-6 |
| 3 | - | 4.9 | 2007841-5 |
| 3 | - | 4.5 | 2007841-4 |
| 2 | - | 5.5 | 2007841-3 |
| 2 | - | 4.9 | 2007841-2 |
| 2 | - | 4.5 | 2007841-1 |
| FINISH | KEY POSITION | DIM M | PART NUMBER |



REFER TO WWW.TE.COM
FOR PRODUCT AVAILABILITY

| | | | | | |
|--|--|----------------------------|--|---|--|
| THIS DRAWING IS A CONTROLLED DOCUMENT. | | DWN J. K. SHOBER 02FEB2011 | | TE TE Connectivity | |
| DIMENSIONS: mm | | CHK J. EARY 02FEB2011 | | | |
| TOLERANCES UNLESS OTHERWISE SPECIFIED: | | APVD J. EARY 02FEB2011 | | NAME IMPACT, 5 PAIR, 10 COLUMN, HEADER LEFT GUIDED, OPEN END WALL SIGNAL MODULE, 0.39 PTH | |
| 0 PLC ±0.25 | | PRODUCT SPEC | | SIZE CAGE CODE DRAWING NO RESTRICTED TO | |
| 2 PLC ±0.13 | | APPLICATION SPEC | | A100779C=2007841 | |
| 3 PLC ± | | WEIGHT | | SCALE 5:1 SHEET 2 OF 2 REV C | |
| 4 PLC ± | | CUSTOMER DRAWING | | | |
| ANGLES | | | | | |
| FINISH SEE TABLE | | | | | |