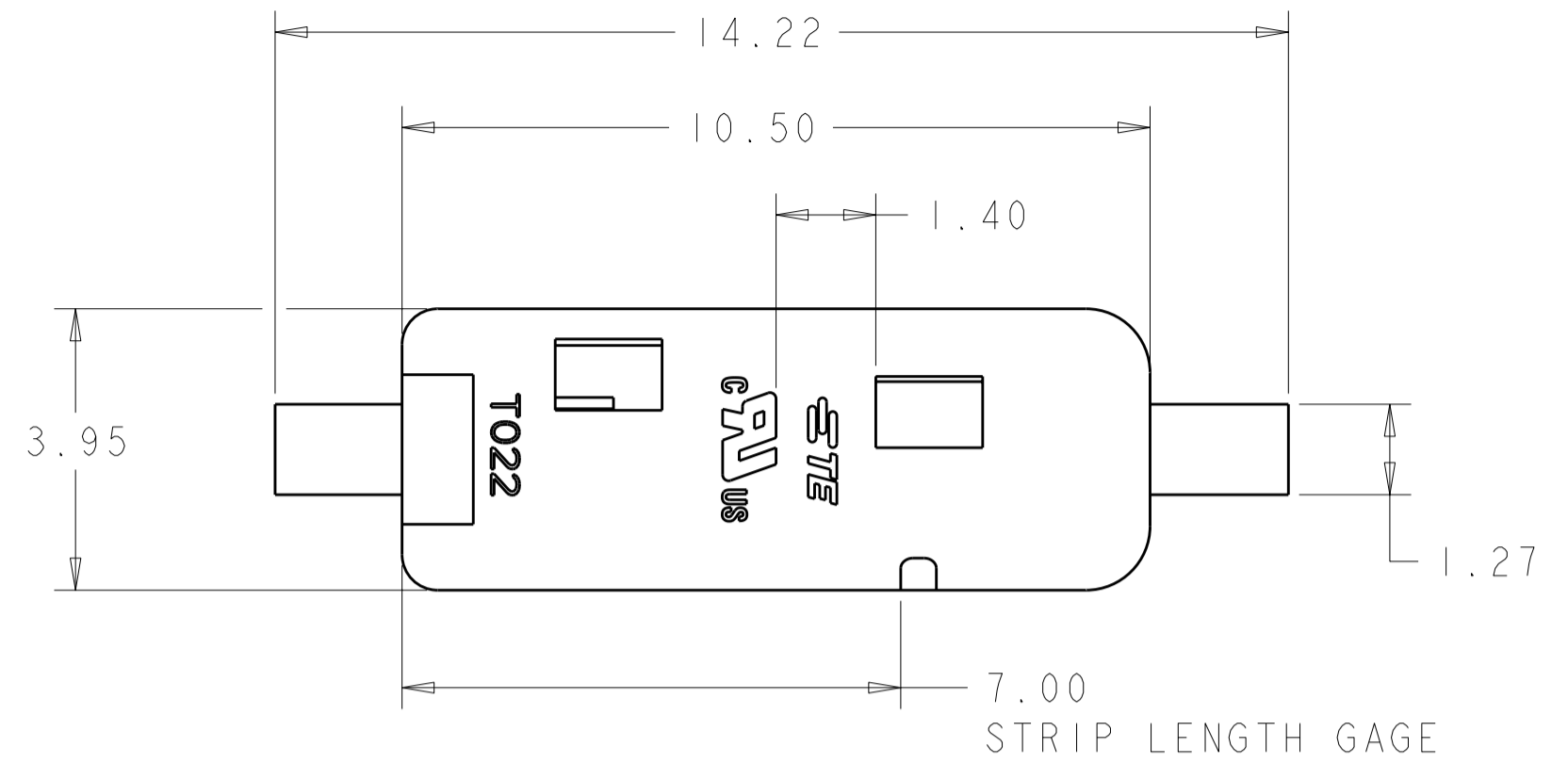
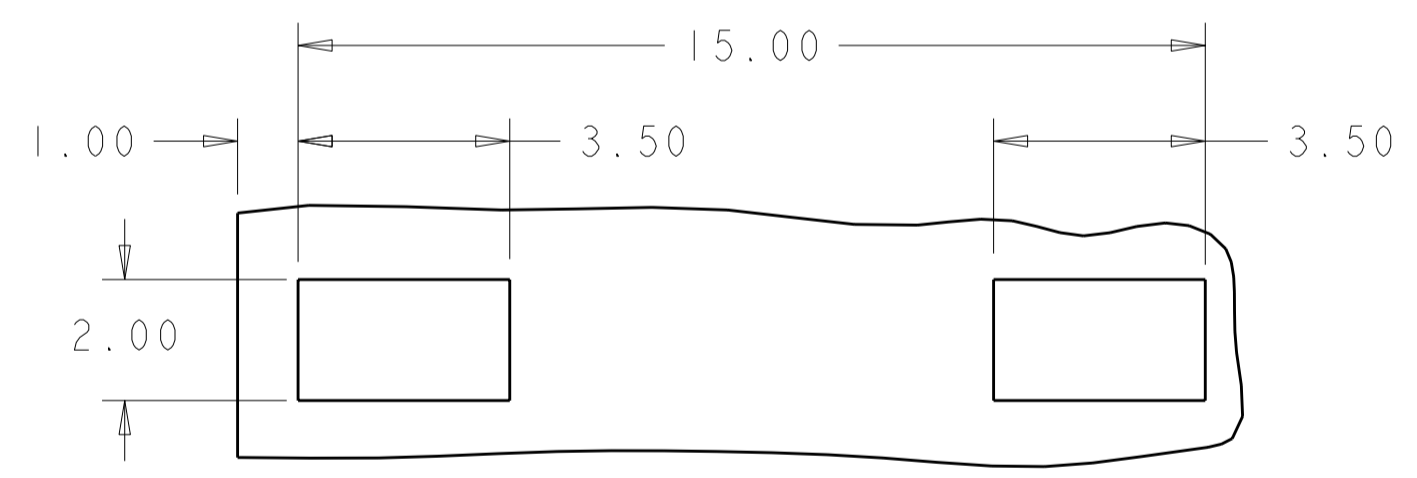
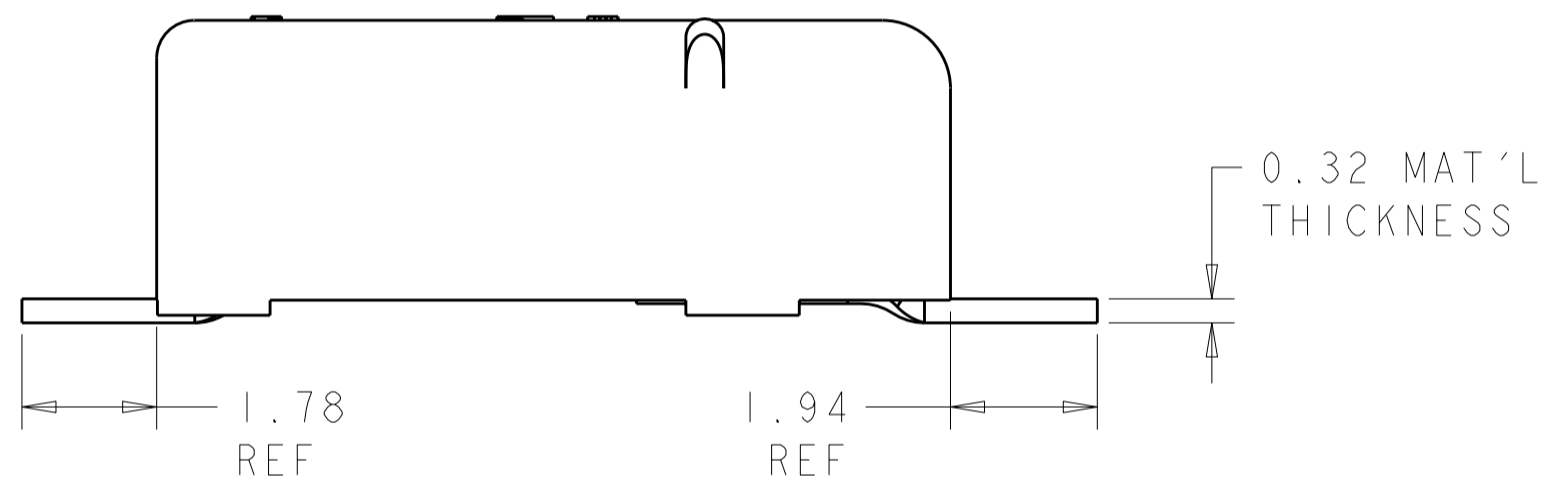
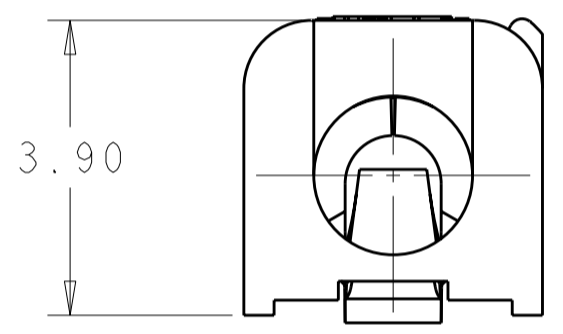


THIS DRAWING IS UNPUBLISHED. RELEASED FOR PUBLICATION 20
 © COPYRIGHT 20 ALL RIGHTS RESERVED.

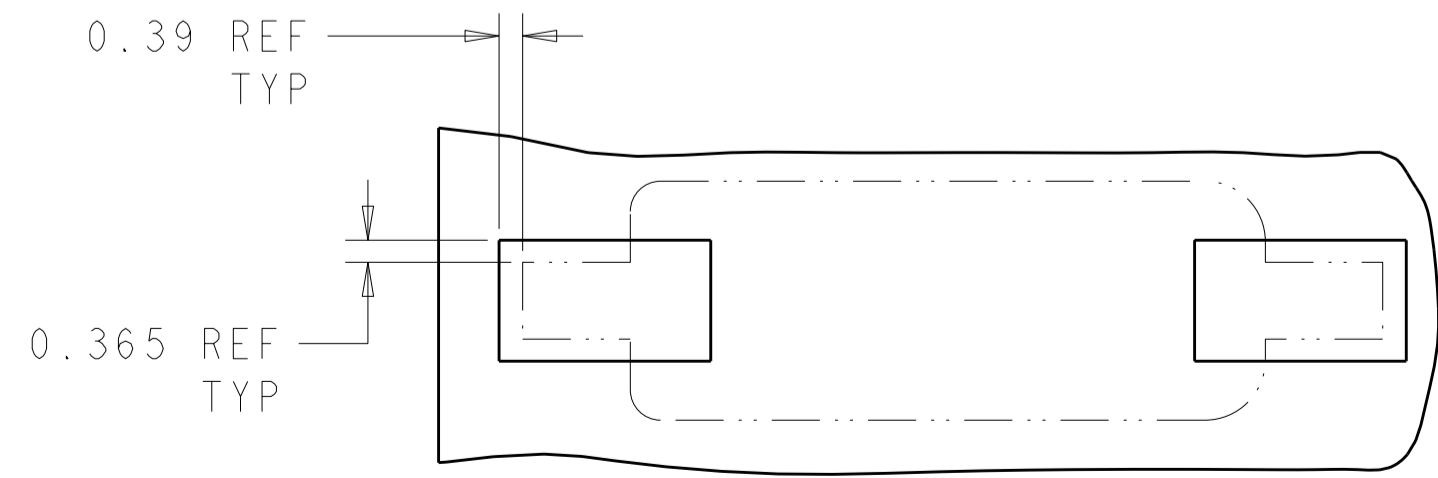
REVISIONS					
P	LTR	DESCRIPTION	DATE	DWN	APVD
A2		REVISED PER ECR-09-006358	19MAR2009	HMR	DD
A3		REVISED PER ECR-11-011090	03JUN2011	SK	DD



1. MATERIALS AND FINISH:
 - HOUSING: LCP, COLOR: WHITE
 - CONTACTS: COPPER ALLOY, FINISH: TIN
2. MUST COMPLY WITH DIRECTIVE 2002/95/EC (ROHS)
3. WIRE TYPES AND SIZES ACCEPTED
 18, 20 AND 22 AWG SOLID WIRE
 18 AND 20 AWG PREBOND STRANDED WIRE
 18 AWG STRANDED WIRE (16 STRAND COUNT)
 MAX INSULATION OD: 2.10 MM (.083")
 STRIP LENGTH: 7.0±1.0 (.276")
4. PACKAGED IN TAPE AND REEL.



RECOMMENDED PCB LAYOUT
SCALE 8:1



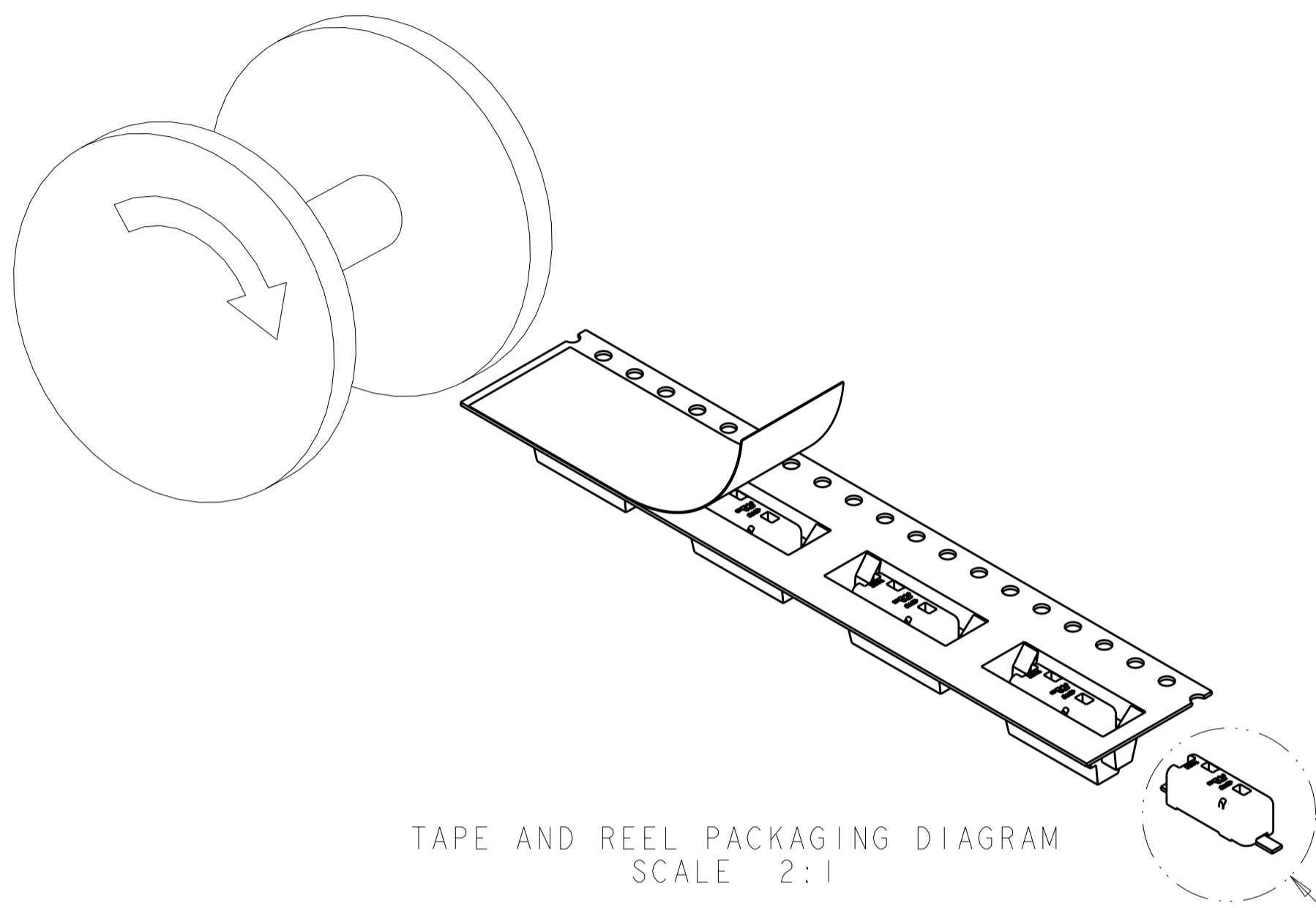
RECOMMENDED CONNECTOR PLACEMENT
SCALE 8:1

5	BLACK	2008563-2
1	WHITE	2008563-1
MATERIAL	COLOR	PART NUMBER

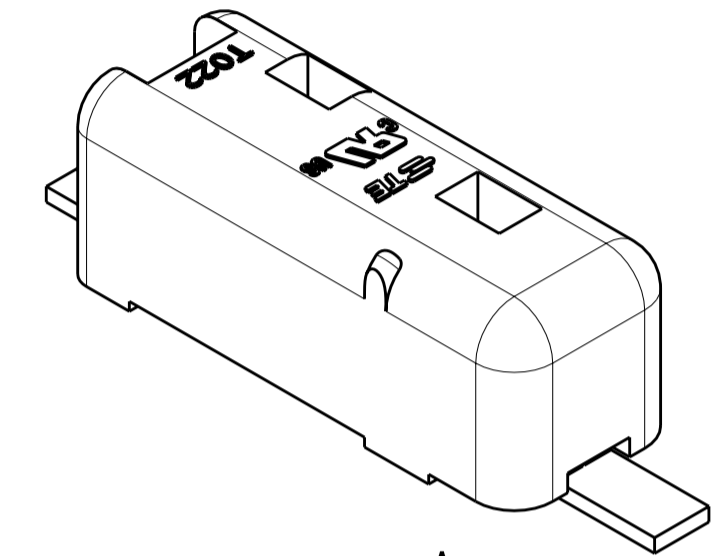
THIS DRAWING IS A CONTROLLED DOCUMENT.		DWN: GURURAJ S 17OCT2007	TE Connectivity	
DIMENSIONS: mm		CHK: -	NAME: POKE-IN CONNECTOR ASSEMBLY, 1 POSITION SMT	
TOLERANCES UNLESS OTHERWISE SPECIFIED:		APVD: -	PRODUCT SPEC: -	
0 PLC ±		APPLICATION SPEC: -	SCALE: 10:1	
1 PLC ±0.5		WEIGHT: -	SHEET 1 OF 2	
2 PLC ±0.10		CUSTOMER DRAWING	REV A3	
3 PLC ±		RESTRICTED TO: -		
4 PLC ±				
ANGLES ±3°				
FINISH				
SEE TABLE				
SEE TABLE				

THIS DRAWING IS UNPUBLISHED. RELEASED FOR PUBLICATION 20
 © COPYRIGHT 20 ALL RIGHTS RESERVED.

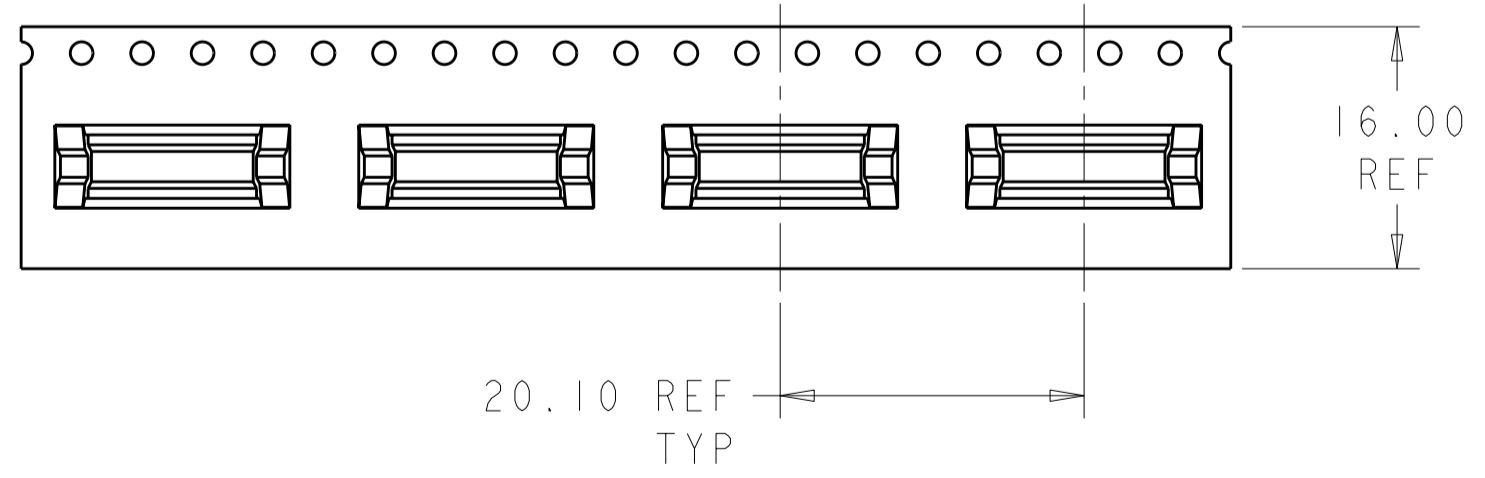
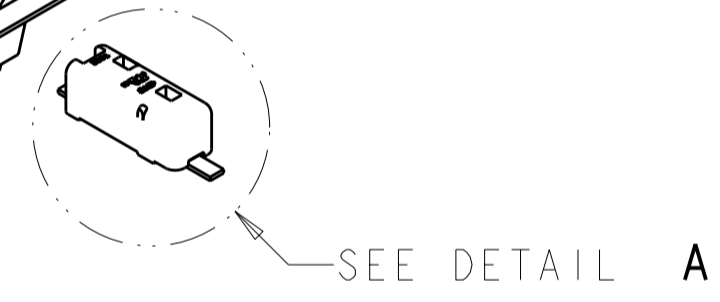
LOC	DIST	REVISIONS				
P	LTR	DESCRIPTION	DATE	DWN	APVD	
-	-	SEE SHEET 1	-	-	-	



TAPE AND REEL PACKAGING DIAGRAM
 SCALE 2:1



DETAIL A
 SCALE 8:1



THIS DRAWING IS A CONTROLLED DOCUMENT.		DWN GURURAJ S	17OCT2007	TE Connectivity	
DIMENSIONS: mm		CHK -	APVD -		
		TOLERANCES UNLESS OTHERWISE SPECIFIED: 0 PLC ±- 1 PLC ±0.5 2 PLC ±0.10 3 PLC ±- 4 PLC ±- ANGLES ±3° FINISH		PRODUCT SPEC -	RESTRICTED TO -
MATERIAL SEE TABLE		WEIGHT -		APPLIC. SPEC -	SIZE A2
SEE TABLE		SEE TABLE		CAGE CODE 200779	DRAWING NO. C-2008563
CUSTOMER DRAWING				SCALE 10:1	SHEET 2 OF 2 REV A3