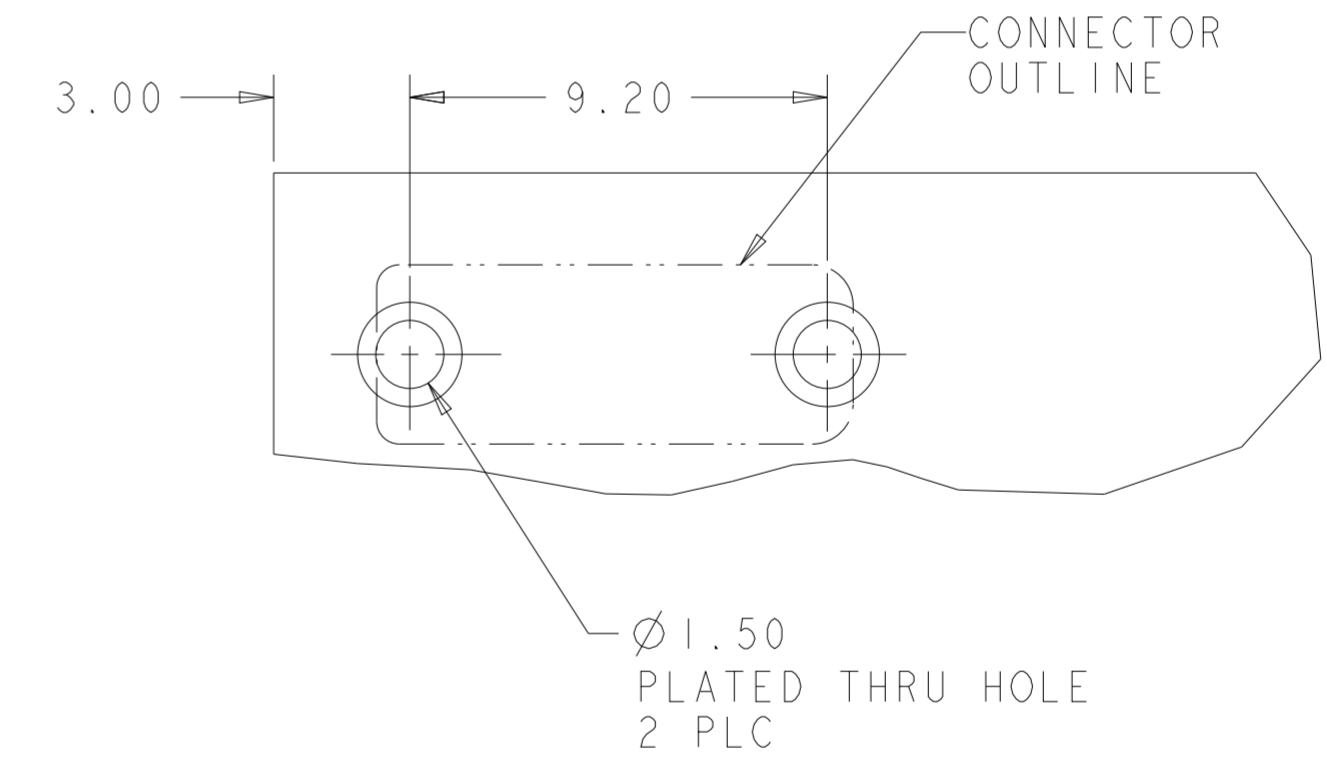
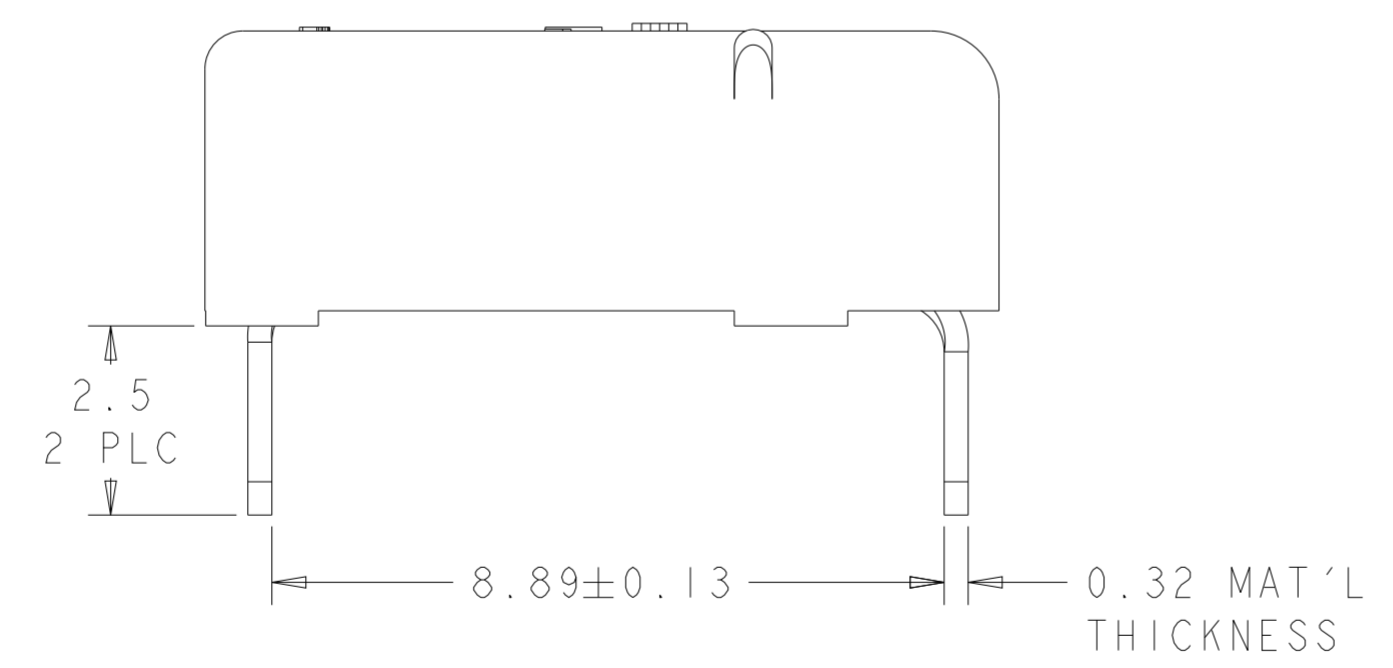
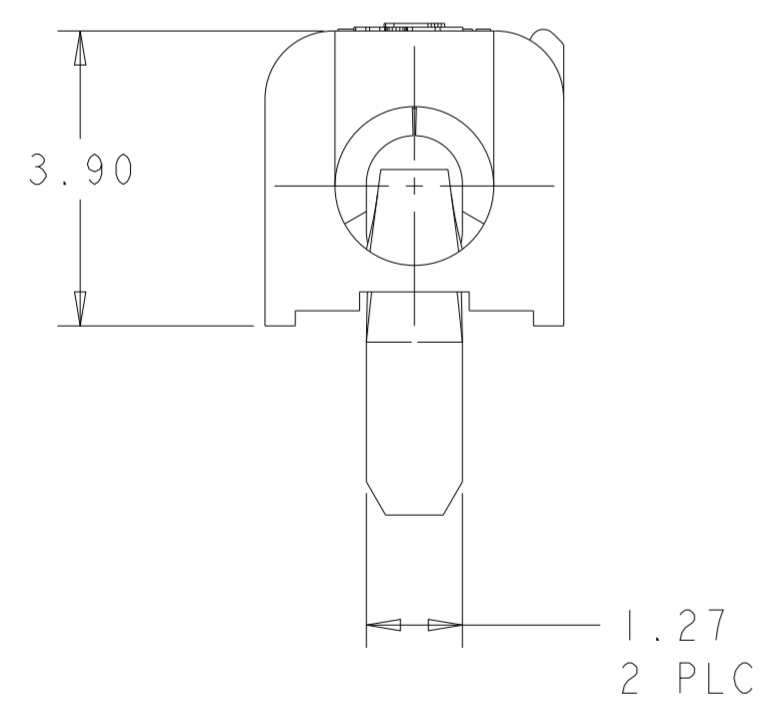
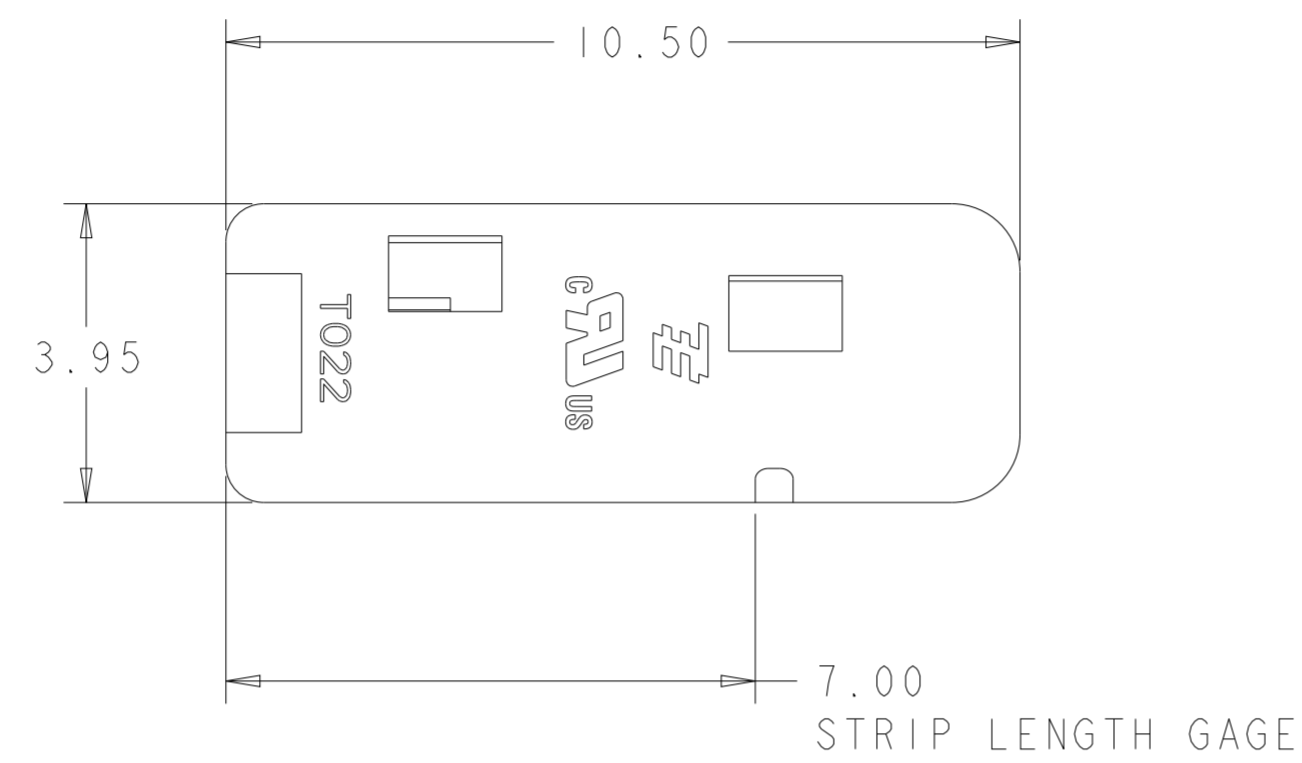


REVISIONS					
P	LTR	DESCRIPTION	DATE	DWN	APVD
A		REVISED PER ECR-09-006557	25MAR2009	HMR	DD
AI		REVISED PER ECR-21-003871	15APR2021	SR	JL

- ⚠ MATERIALS AND FINISH:
  - HOUSING: LCP, COLOR: WHITE
  - CONTACTS: COPPER ALLOY, FINISH: TIN
- 2. MUST COMPLY WITH DIRECTIVE 2002/95/EC (ROHS)

- 4. WIRE TYPES AND SIZES ACCEPTED
  - 18, 20 AND 22 AWG SOLID WIRE
  - 18 AND 20 AWG PREBOND STRANDED WIRE
  - 18 AWG STRANDED WIRE (16 STRAND COUNT)
  - MAX INSULATION OD: 2.10 MM (.083")
  - STRIP LENGTH: 7.0±1.0 (.276")

- 5. PACKAGED IN TAPE AND REEL
- ⚠ MATERIALS AND FINISH:
  - HOUSING: LCP, COLOR: BLACK
  - CONTACTS: COPPER ALLOY, FINISH: TIN

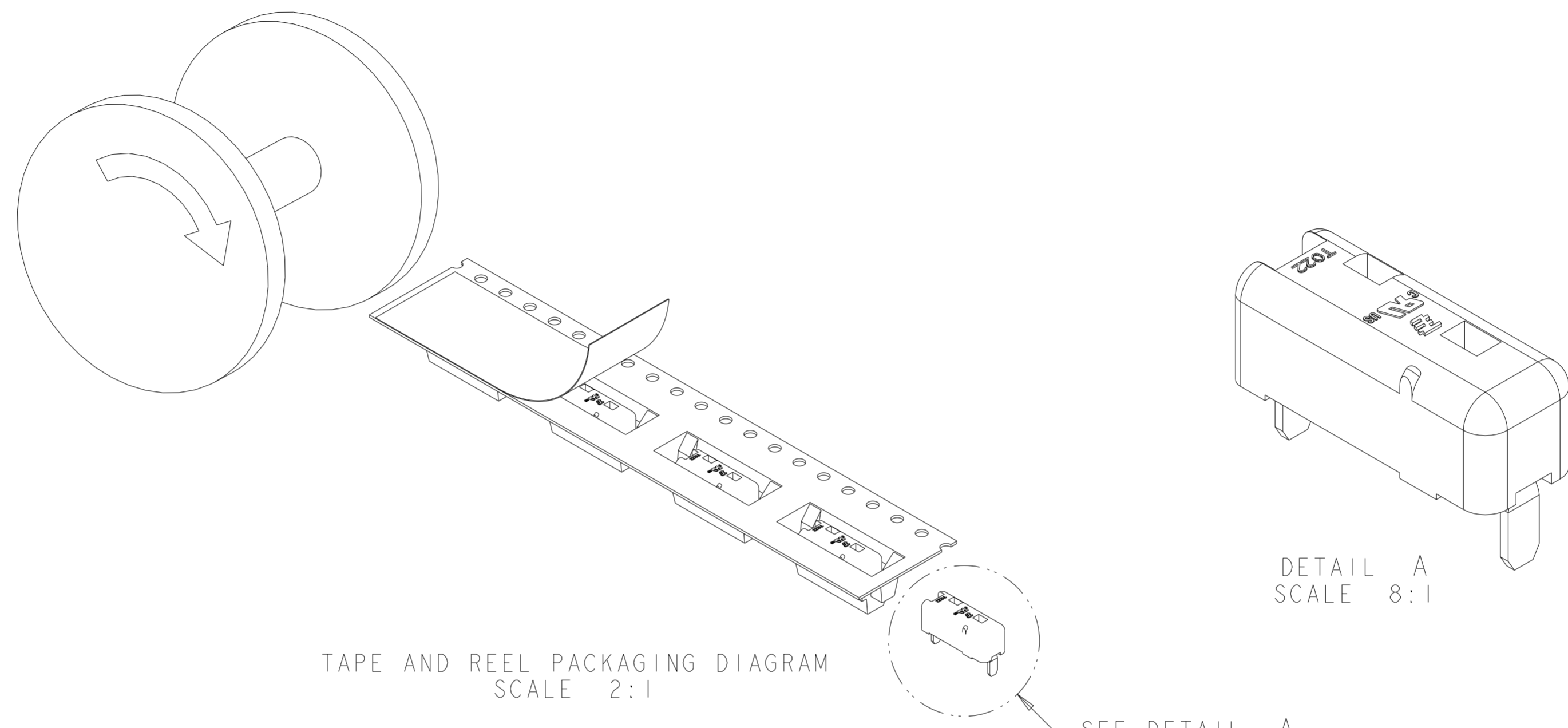


RECOMMENDED PCB LAYOUT  
SCALE 6:1

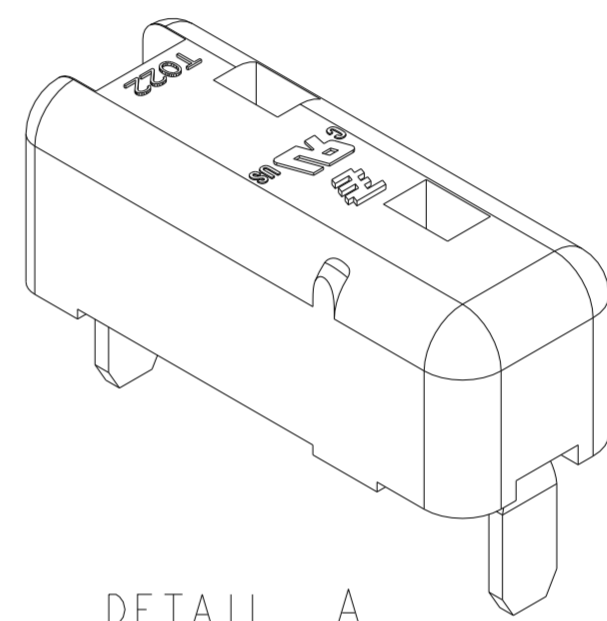
OBSOLETE	⚠	BLACK	2008839-2
	⚠	WHITE	2008839-1
		MATERIAL COLOR	PART NUMBER

THIS DRAWING IS A CONTROLLED DOCUMENT.		DWN: GURURAJ S	17OCT2007	TE Connectivity	
DIMENSIONS: mm		CHK: -	APVD: -		
DIMENSIONS: mm TOLERANCES UNLESS OTHERWISE SPECIFIED: 0 PLC ± 1 PLC ±0.2 2 PLC ±0.13 3 PLC ± 4 PLC ± ANGLES ±3 FINISH SEE TABLE		PRODUCT SPEC - APPLICATION SPEC - WEIGHT -		NAME: POKE-IN LED CONNECTOR ASSEMBLY, 1 POSITION, THRU HOLE SIZE: A2 CAGE CODE: 00779 DRAWING NO: C-2008839 RESTRICTED TO:	
MATERIAL: SEE TABLE		FINISH: SEE TABLE		SCALE: 10:1 SHEET 1 OF 2 REV: AI	

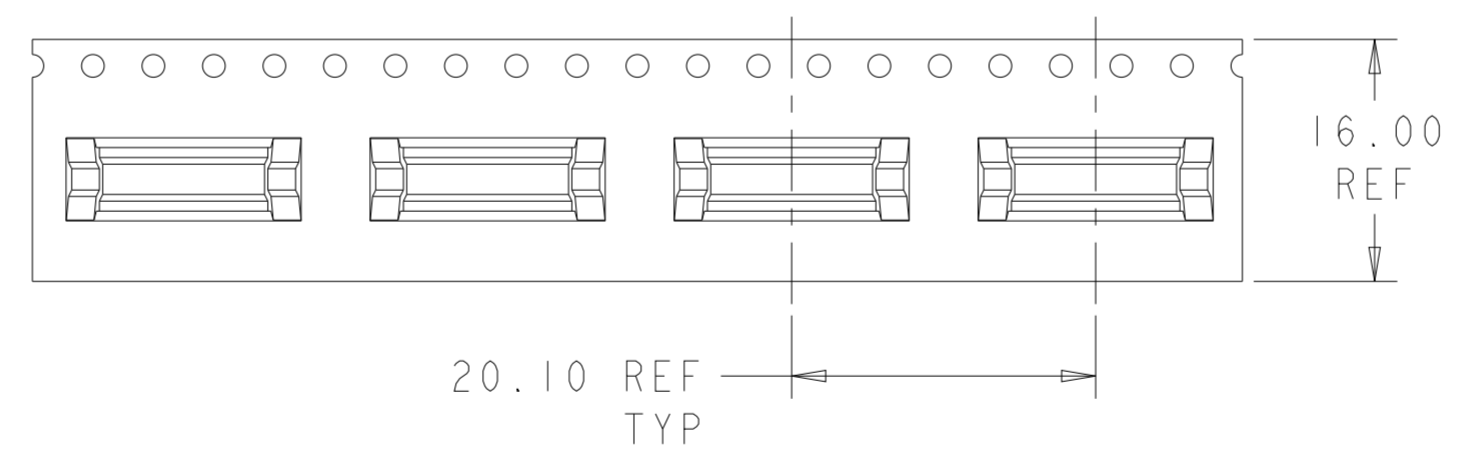
REVISIONS					
P	LTR	DESCRIPTION	DATE	DWN	APVD
-	-	SEE SHEET 1	-	-	-



TAPE AND REEL PACKAGING DIAGRAM  
SCALE 2:1



DETAIL A  
SCALE 8:1



THIS DRAWING IS A CONTROLLED DOCUMENT.		DWN GURURAJ S	17OCT2007	TE Connectivity	
DIMENSIONS: mm		CHK -	APVD -		
		TOLERANCES UNLESS OTHERWISE SPECIFIED:		PRODUCT SPEC -	RESTRICTED TO
MATERIAL SEE TABLE		FINISH SEE TABLE		APPLICATION SPEC -	SIZE A2
				WEIGHT -	CAGE CODE 200779
				CUSTOMER DRAWING	DRAWING NO C-2008839
				SCALE 10:1	SHEET 2 OF 2
					REV A1