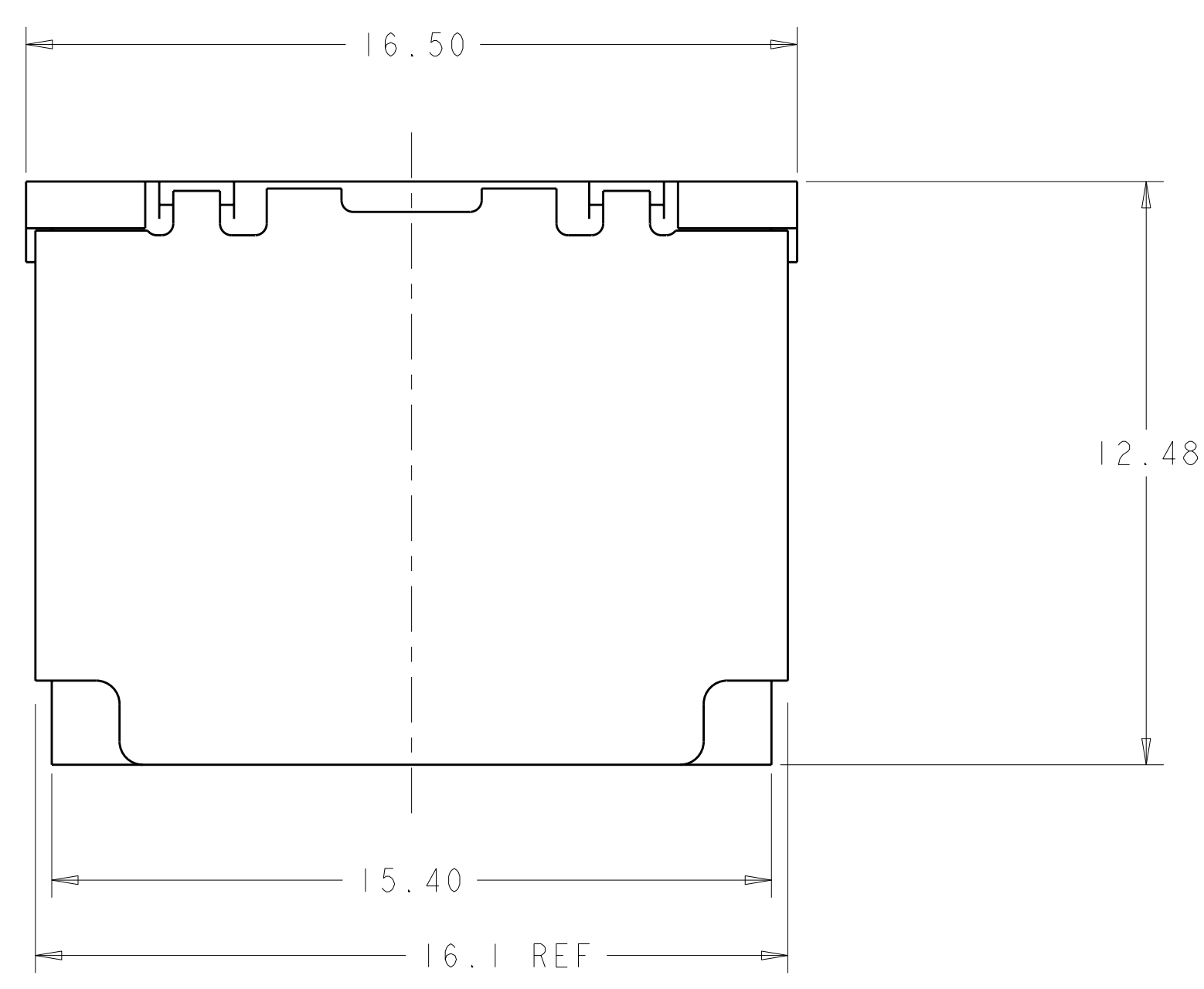


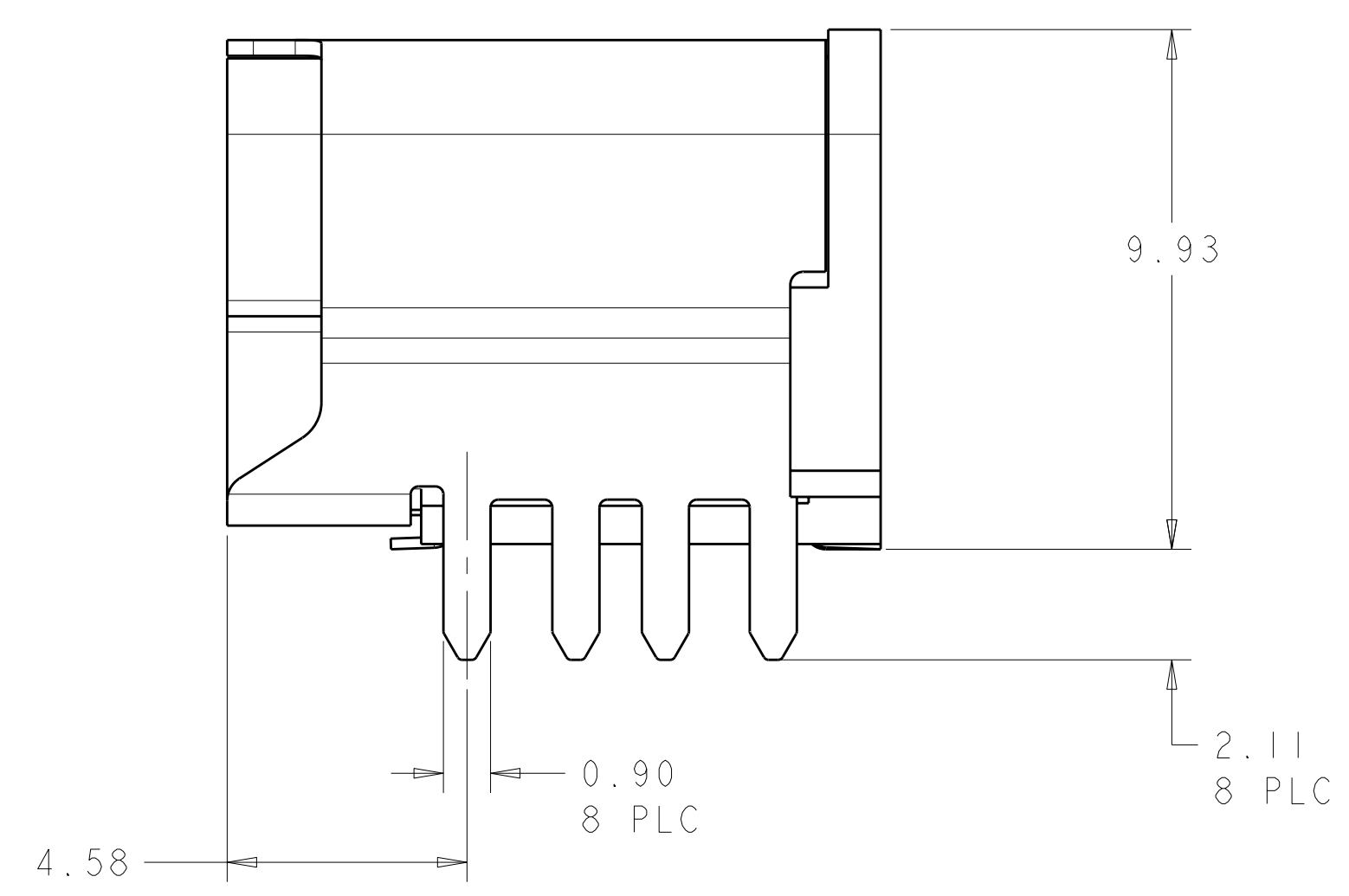
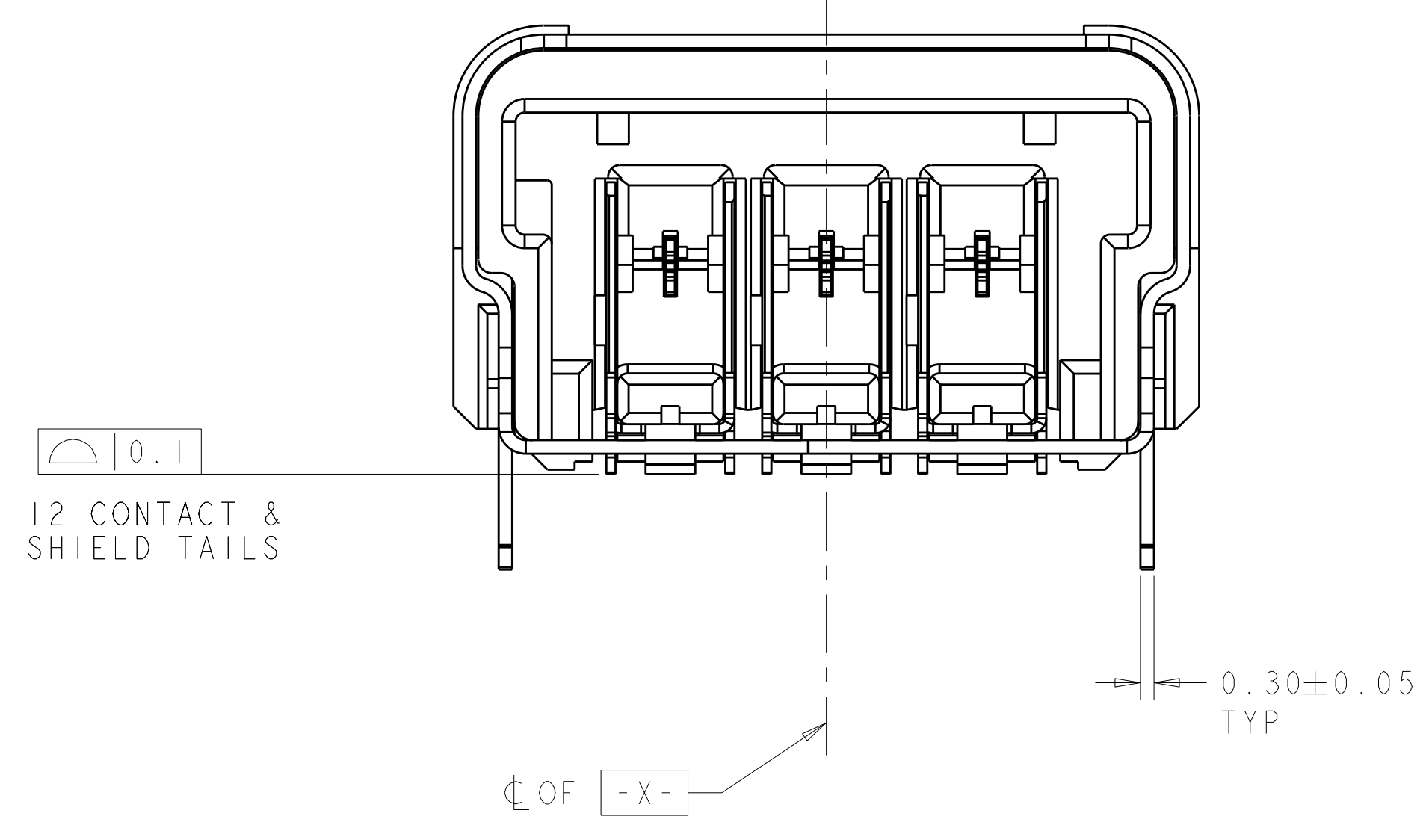
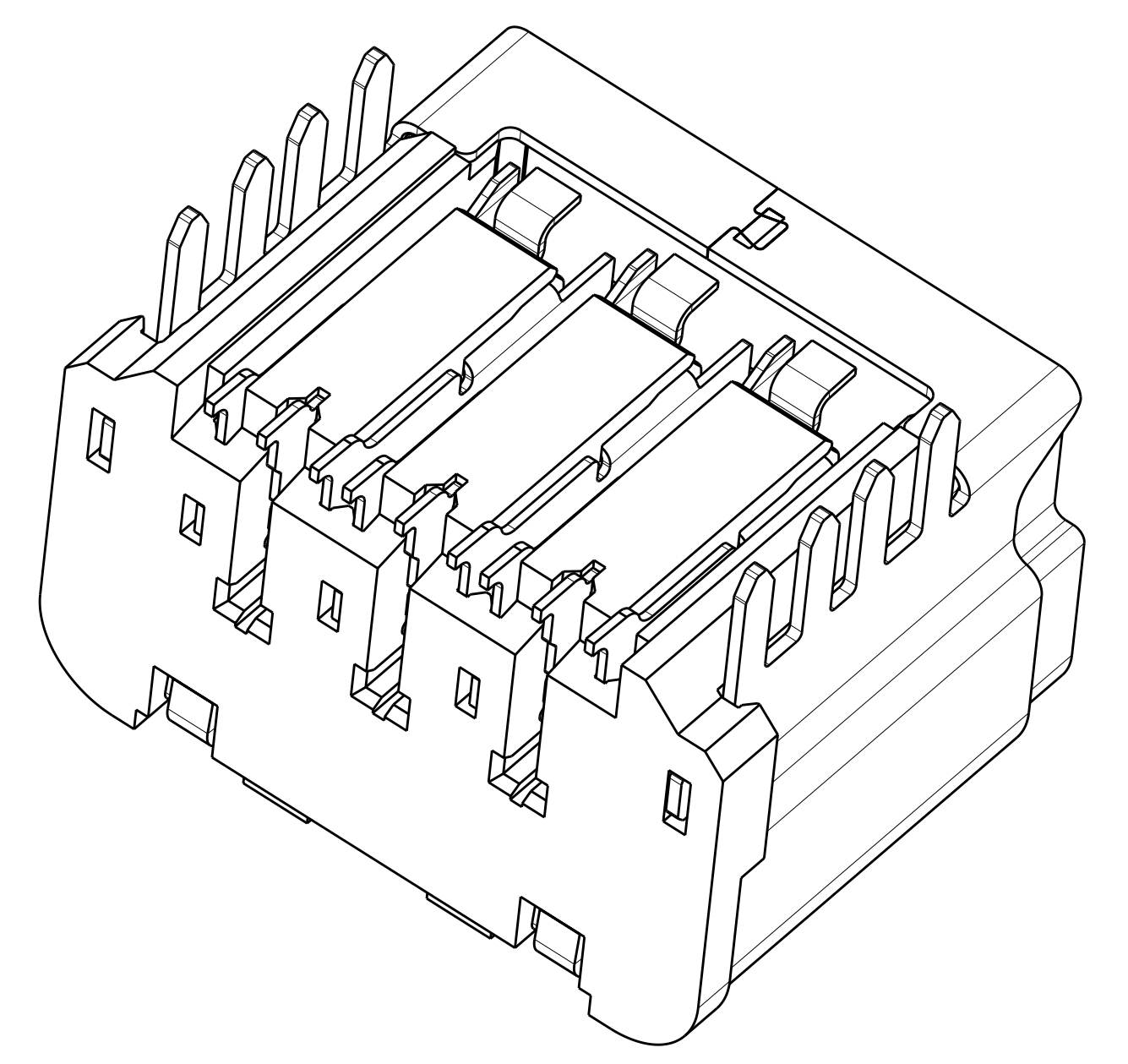
LOC	DIST	REVISIONS			
P	LTB	DESCRIPTION	DATE	DWN	APVD
AJ	00	A1	REVISED PER ECO-11-005027	18MAR2011	RK HMR



1 MATERIAL:  
 HOUSING: LCP UL94V0, COLOR - BLACK  
 CONTACTS, SHIELDS - COPPER ALLOY  
 SHELL - STEEL

2 PLATING:  
 CONTACTS:  
 CONTACT AREA - CONFORMS TO THE REQUIREMENT OF EIA/ECA-364-1000.01A  
 (CONTROLLED ENVIRONMENT APPLICATIONS), AND TE CONNECTIVITY  
 PRODUCT SPECIFICATION 108-2324  
 SOLDER TAIL - Sn OVER Ni  
 SHIELDS: Ag OVER Ni  
 SHELL: Sn OVER Ni OVER Cu

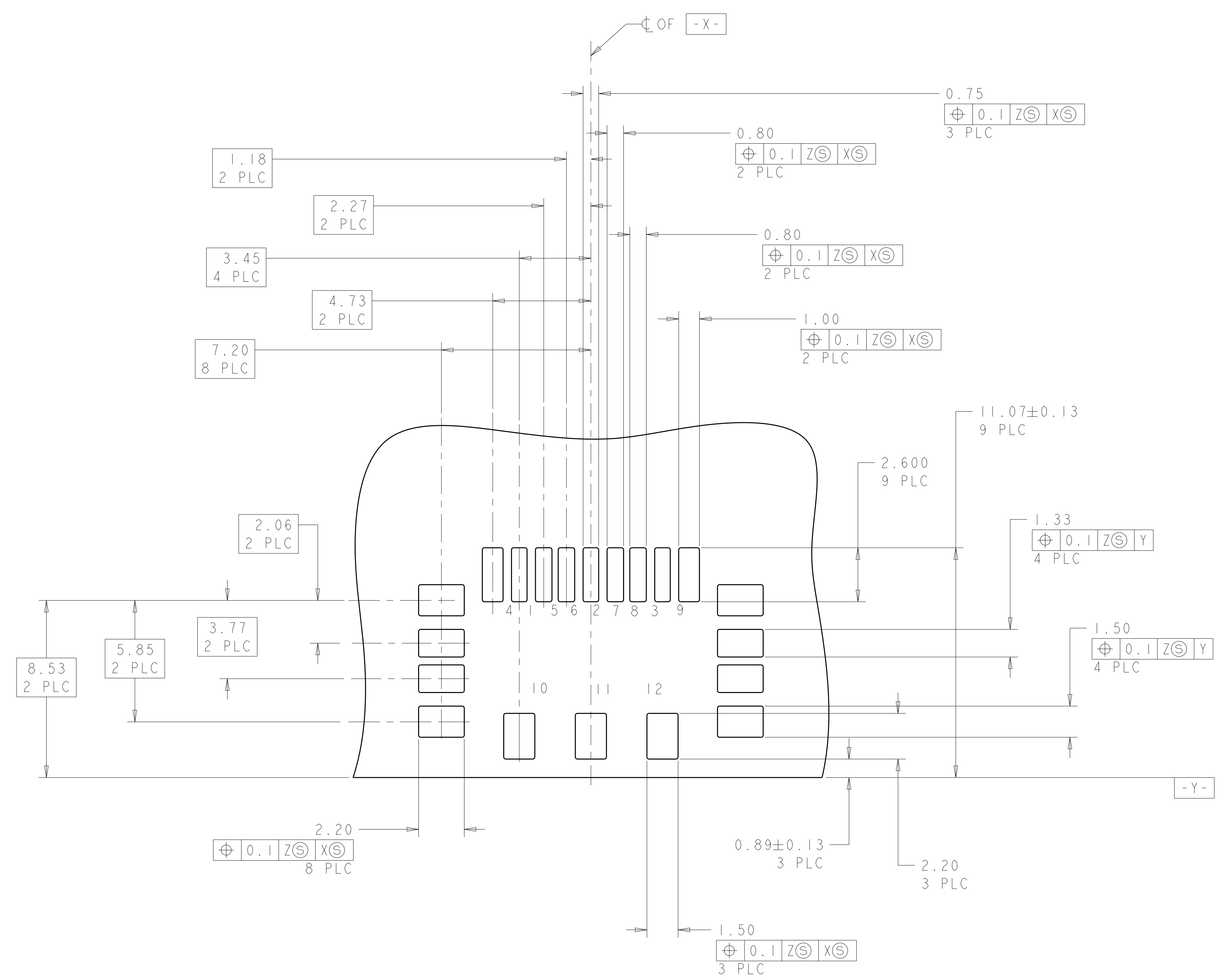
3. PRODUCT HAS NOT COMPLETED QUALIFICATION TESTING



2016032-1  
 PART NUMBER

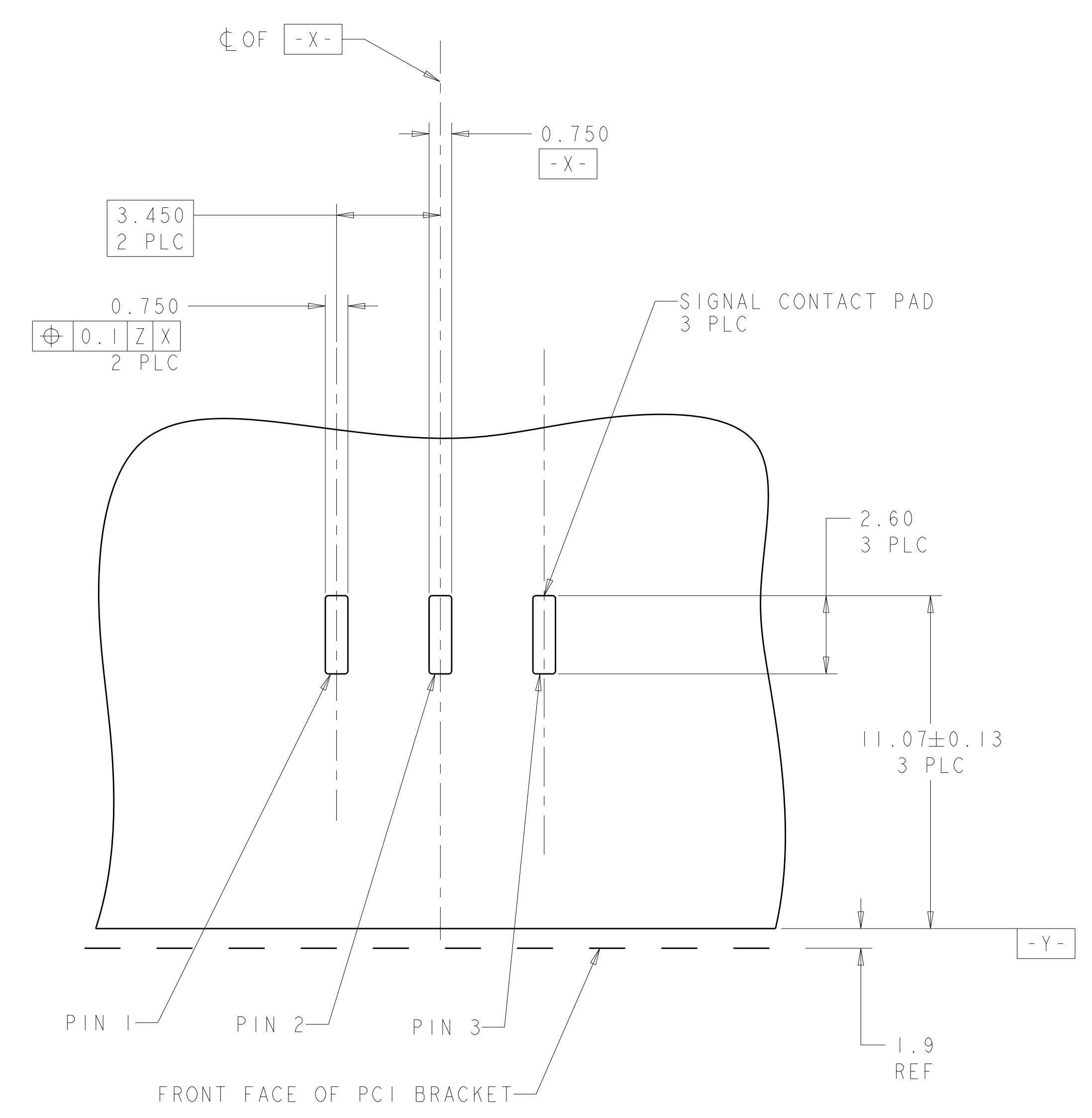
THIS DRAWING IS A CONTROLLED DOCUMENT.		DWN: HAMNER 22JAN2008	TE Connectivity
DIMENSIONS: mm		CHK: JJ CONSOLI 15FEB2008	
TOLERANCES UNLESS OTHERWISE SPECIFIED:		APVD: JJ CONSOLI 15FEB2008	NAME: PCB JACK, 3 PORT QSL, RIGHT ANGLE, THROUGH-HOLE, W/O PANEL FLANGES
0 PLC ± 1 PLC ±0.13 2 PLC ±0.13 3 PLC ±0.013 4 PLC ± ANGLES ±		PRODUCT SPEC: 108-2324	SIZE: A100779
MATERIAL: 1		APPLICATION SPEC: 114-5397	DRAWING NO: C=2016032
FINISH: 2		WEIGHT: -	RESTRICTED TO: -
CUSTOMER DRAWING		SCALE: 8:1	SHEET 1 OF 5 REV A1

LOC	DIST	REV	DATE	BY	APPD
AJ	00				
REVISIONS			DESCRIPTION	DATE	DWN
			SEE SHEET 1		



RECOMMENDED PCB STENCIL LAYOUT

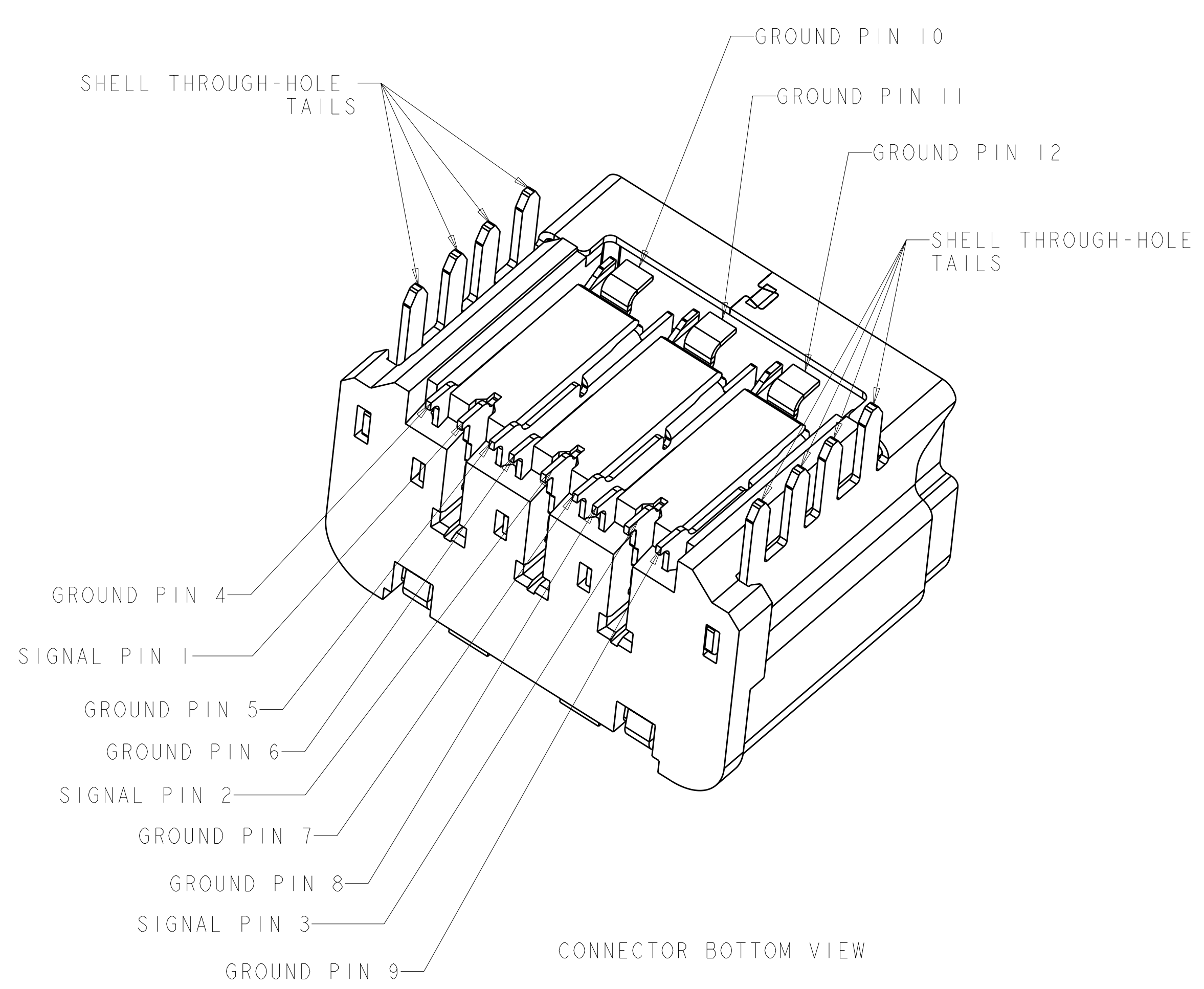
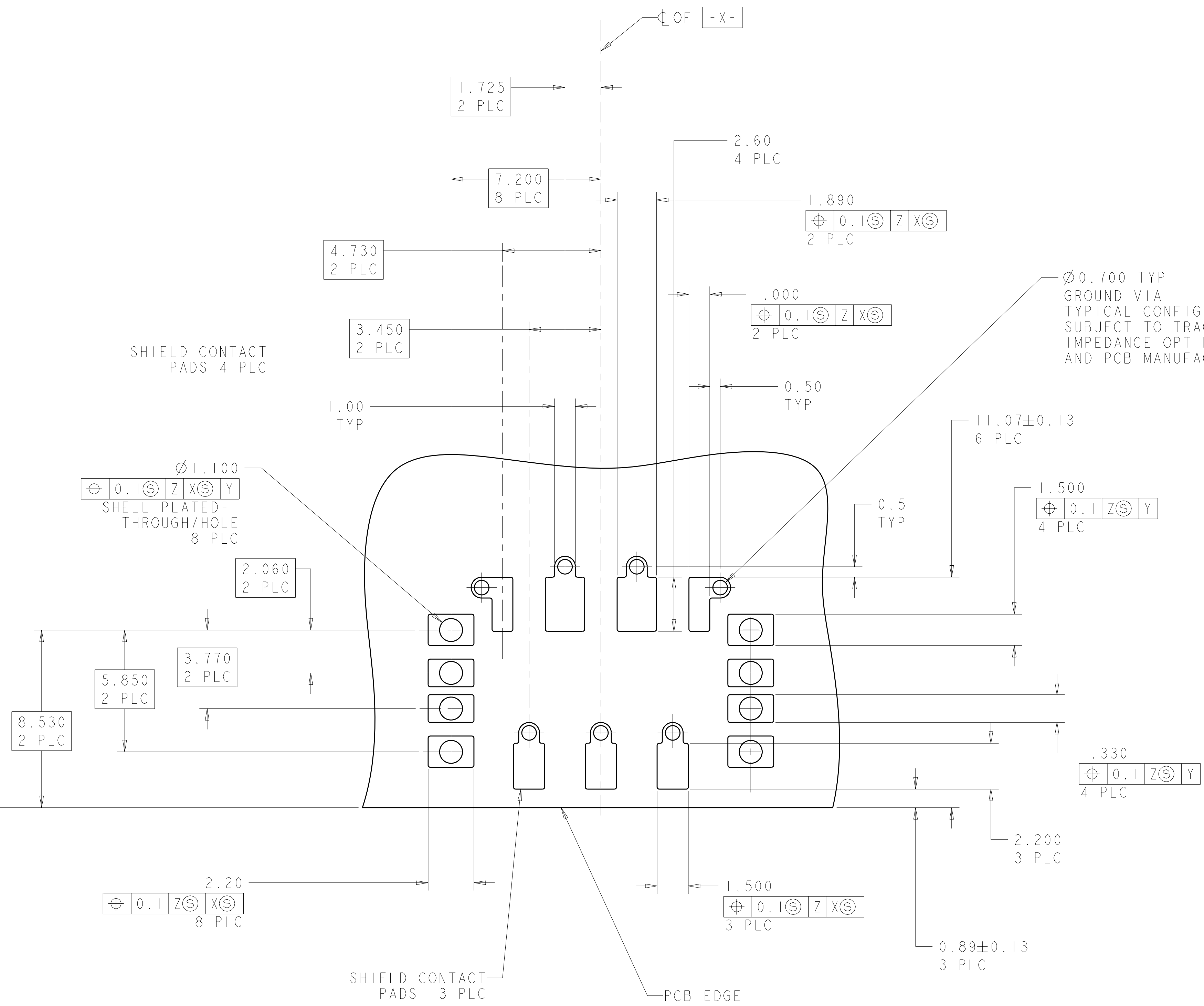
CIRCUIT "A" SIGNAL CONTACT PAD: #1  
 CIRCUIT "A" GROUND CONTACT PADS: #4, 5, 10  
 CIRCUIT "B" SIGNAL CONTACT PAD: #2  
 CIRCUIT "B" GROUND CONTACT PADS: #6, 7, 11  
 CIRCUIT "C" SIGNAL CONTACT PAD: #3  
 CIRCUIT "C" GROUND CONTACT PADS: #8, 9, 12  
 EIGHT UNMARKED PADS w/PLATED-THROUGH HOLES ARE FOR SHELL MECHANICAL HOLDDOWN TAILS



RECOMMENDED PCB LAYOUT TOP SIGNAL LAYER PADS

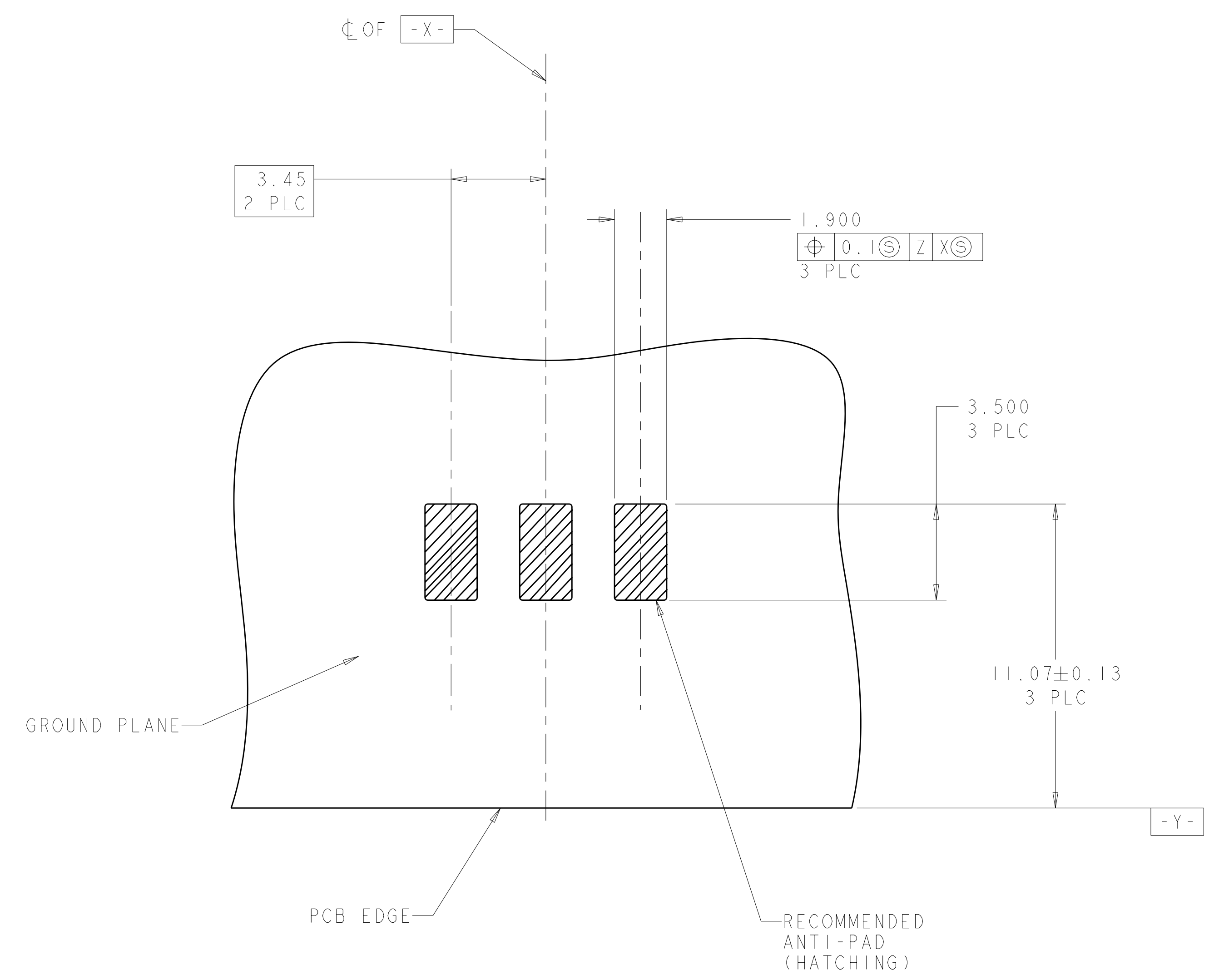
THIS DRAWING IS A CONTROLLED DOCUMENT.		DWN: HAMNER 22JAN2008	TE Connectivity										
DIMENSIONS: mm		CHK: J.J. CONSOLI 15FEB2008											
TOLERANCES UNLESS OTHERWISE SPECIFIED:		APVD: J.J. CONSOLI 15FEB2008	NAME: PCB JACK, 3 PORT QSL, RIGHT ANGLE, THROUGH-HOLE, W/O PANEL FLANGES										
<table border="1"> <tr> <td>9 PLC</td> <td>±</td> </tr> <tr> <td>2 PLC</td> <td>±0.13</td> </tr> <tr> <td>5 PLC</td> <td>±0.013</td> </tr> <tr> <td>4 PLC</td> <td>±</td> </tr> <tr> <td>ANGLES</td> <td>±</td> </tr> </table>		9 PLC	±	2 PLC	±0.13	5 PLC	±0.013	4 PLC	±	ANGLES	±	PRODUCT SPEC: 108-2324	SIZE: CAGE CODE: DRAWING NO: 114-5397
9 PLC	±												
2 PLC	±0.13												
5 PLC	±0.013												
4 PLC	±												
ANGLES	±												
MATERIAL: FINISH:		WEIGHT:	RESTRICTED TO: A100779C=2016032										
CUSTOMER DRAWING		SCALE: 8:1	SHEET 2 OF 5 REV A1										

LOC	DIST	REV	DATE	BY	APPD
AJ	00				
REVISIONS			DESCRIPTION	DATE	BY
			SEE SHEET 1		

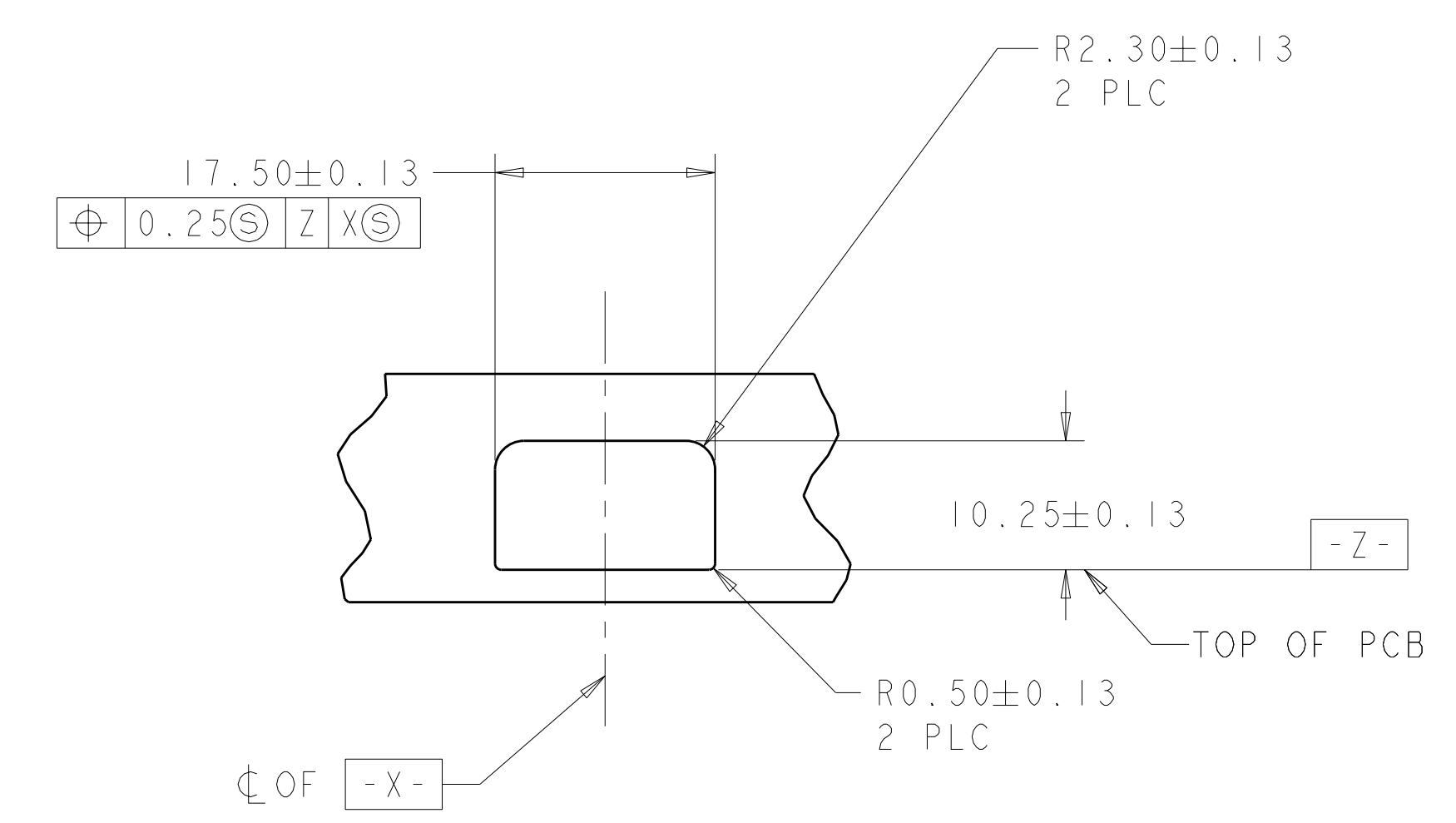


THIS DRAWING IS A CONTROLLED DOCUMENT.		OWN: HAMNER 22 JAN 2008	TE Connectivity
DIMENSIONS: mm		CHK: J.J. CONSOLI 15 FEB 2008	
TOLERANCES UNLESS OTHERWISE SPECIFIED:		APVD: J.J. CONSOLI 15 FEB 2008	NAME: PCB JACK, 3 PORT QSL, RIGHT ANGLE, THROUGH-HOLE, W/O PANEL FLANGES
Ø	9 PLC ±	PRODUCT SPEC: 108-2324	SIZE: CAGE CODE DRAWING NO. RESTRICTED TO
	1 PLC ±0.13	APPLICATION SPEC: 114-5397	A1100779C=2016032
	5 PLC ±0.013	WEIGHT: -	SCALE: 8:1 SHEET 3 OF 5 REV: A1
	4 PLC ±	CUSTOMER DRAWING	
MATERIAL:	FINISH:		

LOC	DIST	REVISIONS					
		P	LTN	DESCRIPTION	DATE	DWN	APVD
AJ	00	-	-	SEE SHEET 1	-	-	-



RECOMMENDED PCB LAYOUT  
 OF ANTIPADS FOR ALL GROUND AND POWER LAYERS



RECOMMENDED BRACKET CUT-OUT  
 SCALE 2:1

THIS DRAWING IS A CONTROLLED DOCUMENT.		DWN	HAMNER	22 JAN 2008	TE Connectivity
DIMENSIONS: mm		CHK	JJ CONSOLI	15 FEB 2008	
TOLERANCES UNLESS OTHERWISE SPECIFIED:		APVD	JJ CONSOLI	15 FEB 2008	NAME
0 PLC ±		PRODUCT SPEC		108-2324	PCB JACK, 3 PORT QSL, RIGHT ANGLE, THROUGH-HOLE, W/O PANEL FLANGES
1 PLC ±0.13		APPLICATION SPEC		114-5397	SIZE CAGE CODE DRAWING NO
2 PLC ±0.013		WEIGHT		-	A100779C=2016032
3 PLC ±		FINISH		-	RESTRICTED TO
4 PLC ±		CUSTOMER DRAWING		SCALE 8:1	SHEET 4 OF 5
ANGLES ±					REV A1