




## Features

- Bourns® FLAT® GDT technology
- Flexible mounting options
- Volume and space-saving design
- Improved impulse performance
- 25 kA 8/20  $\mu$ s rated
- UL Recognized 
- RoHS compliant\* and halogen free\*\*

## Applications

- Telecom CPE
- Industrial Communications
- Surge Protective Devices
- High density PCB assemblies

## 2019 Series Gas Discharge Tube Surge Arrestor with FLAT® Technology

### Description

Bourns sets a new industry standard by offering a high current rated 2-electrode GDT in an innovative flat-package design. The Model 2019 Series with FLAT® Technology is an ITU K.12 Class IV GDT device rated at 25 kA maximum on an 8/20  $\mu$ s waveform, providing a volume and space-saving solution for high density and space-restricted PCB applications. This surface mount device is available in a horizontal mounting configuration.

### Characteristics

Test Methods per ITU-T (CCITT) K.12 Class 3 and IEC 61643-311

Characteristic	Model No.		
	2019-09	2019-15	2019-23
DC Sparkover $\pm 20\%$ @ 100 V/s <sup>(1)</sup>	90 V	150 V	230 V
DC Sparkover End-of-Life Values <sup>(2)</sup>			
Maximum (99 % of values)	<120 V	<195 V	<300 V
Minimum (99 % of values)	>65 V	>110 V	>170 V
Impulse Sparkover Voltage <sup>(3)</sup>			
100 V/ $\mu$ s Typical / For 99 % of Values	350 / <450 V	400 / <550 V	450 / <600 V
1 kV/ $\mu$ s Typical / For 99 % of Values	600 / <800 V	600 / <850 V	700 / <950 V

Insulation Resistance (IR) .....	100 V (50 V for Model 2019-09) .....	>1 G $\Omega$
Glow Voltage .....	10 mA .....	~70 V
Arc Voltage .....	>1 A .....	~10 V
Capacitance.....	1 MHz .....	<4 pF
Impulse Discharge Current.....	25 kA, 8/20 $\mu$ s .....	1 operation <sup>(4)</sup>
	20 kA, 8/20 $\mu$ s .....	10 operations
	5000 A, 10/350 $\mu$ s .....	1 operation <sup>(4)</sup>
	100 A, 10/1000 $\mu$ s .....	300 operations
	10 A, 10/1000 $\mu$ s .....	1500 operations <sup>(4)</sup>
Alternating Discharge Current .....	20 Arms, 1 s .....	10 operations
Operating Temperature.....		-55 to +85 °C
Storage Temperature .....		-55 to +105 °C
Climatic Category (IEC 60068-1).....		55/105/21
Moisture Sensitivity Level .....		1
ESD Classification (HBM).....		N/A

#### Notes:

**UL Recognized component, UL File E153537**

- (1) In ionized mode.
- (2) IR after life  $>10^8 \Omega$ .
- (3) At delivery AQL 0.65 Level II, DIN ISO 2859.
- (4) DC Sparkover may exceed  $\pm 20\%$  after discharge, but will continue to protect without venting.



**WARNING Cancer and Reproductive Harm - [www.P65Warnings.ca.gov](http://www.P65Warnings.ca.gov)**

\* RoHS Directive 2015/863, Mar 31, 2015 and Annex.

\*\* Bourns considers a product to be "halogen free" if (a) the Bromine (Br) content is 900 ppm or less; (b) the Chlorine (Cl) content is 900 ppm or less; and (c) the total Bromine (Br) and Chlorine (Cl) content is 1500 ppm or less.

"FLAT" is a registered trademark of Bourns, Inc. in the U.S. and other countries.

Specifications are subject to change without notice.

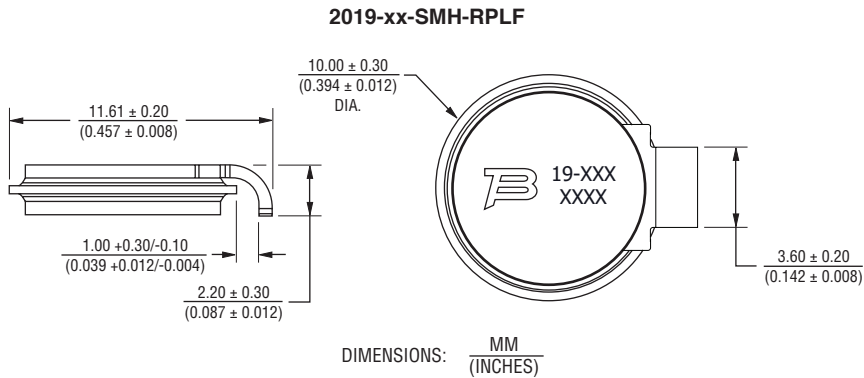
Users should verify actual device performance in their specific applications.

The products described herein and this document are subject to specific legal disclaimers as set forth on the last page of this document, and at [www.bourns.com/docs/legal/disclaimer.pdf](http://www.bourns.com/docs/legal/disclaimer.pdf).

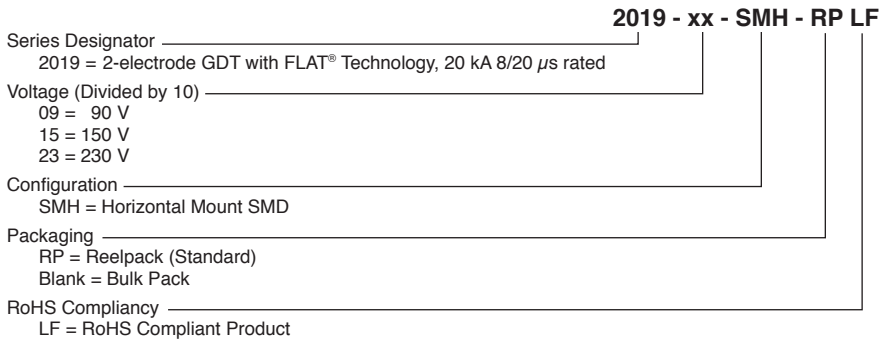
# 2019 Series Gas Discharge Tube Surge Arrestor with FLAT® Technology



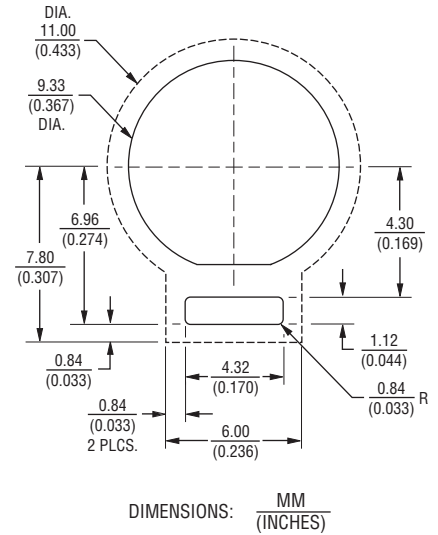
## Product Dimensions



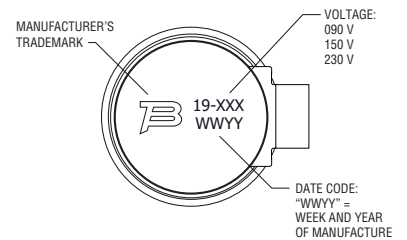
## How to Order



## Pad Layout



## Typical Part Marking



Specifications are subject to change without notice.

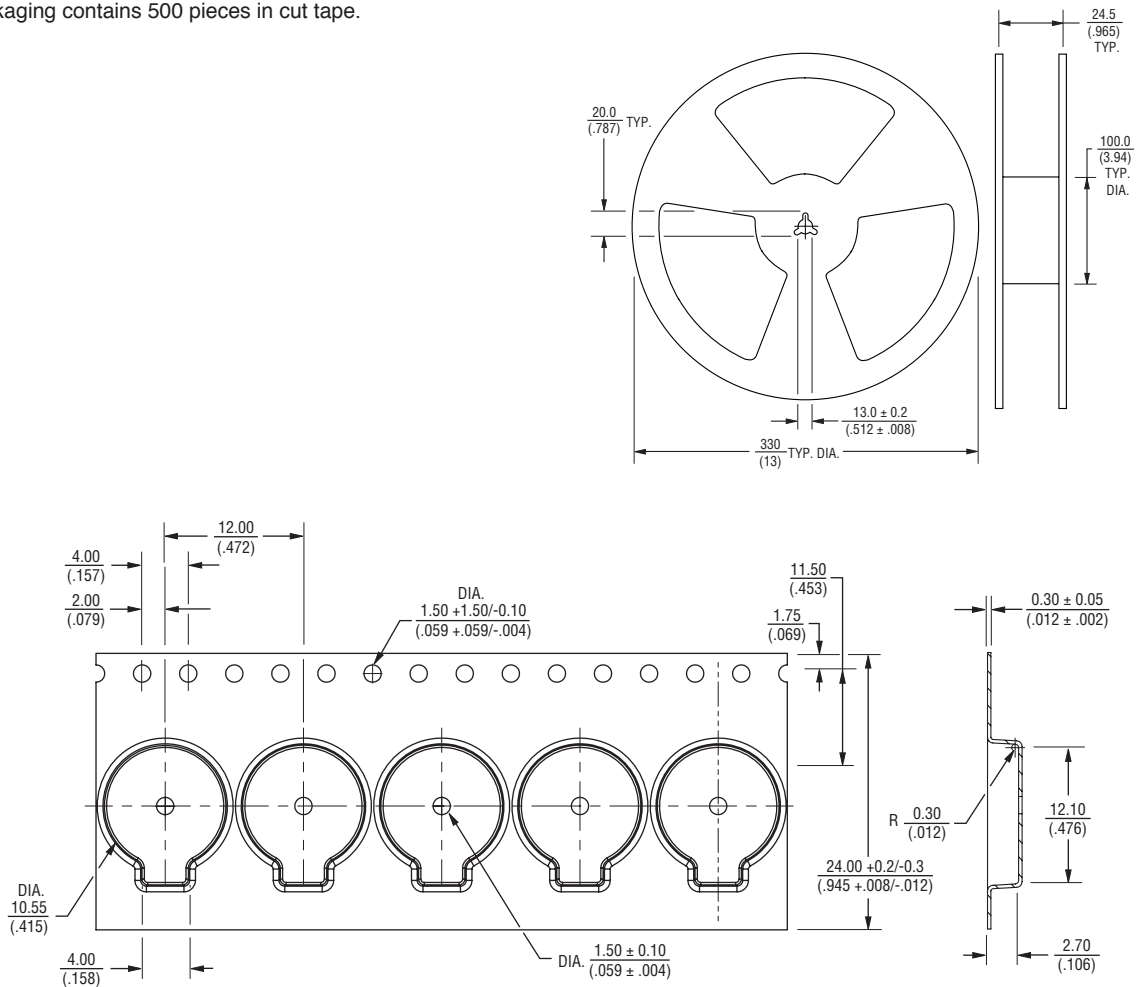
Users should verify actual device performance in their specific applications.

The products described herein and this document are subject to specific legal disclaimers as set forth on the last page of this document, and at [www.bourns.com/docs/legal/disclaimer.pdf](http://www.bourns.com/docs/legal/disclaimer.pdf).

**Packaging Specification**

The standard tape and reel packaging contains 2,000 pieces per 13-inch reel.

Bulk packaging contains 500 pieces in cut tape.



DIMENSIONS:  $\frac{\text{MM}}{\text{(INCHES)}}$

REV. A – 09/18

Specifications are subject to change without notice.

Users should verify actual device performance in their specific applications.

The products described herein and this document are subject to specific legal disclaimers as set forth on the last page of this document, and at [www.bourns.com/docs/legal/disclaimer.pdf](http://www.bourns.com/docs/legal/disclaimer.pdf).