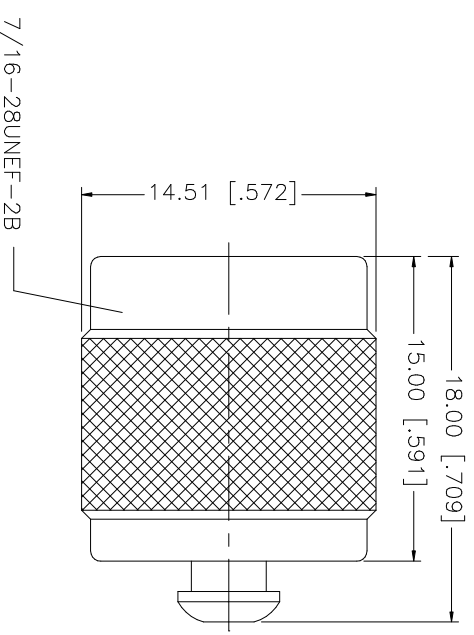


REV.	DATE	DESCRIPTION
NC	07/28/06	INITIAL RELEASE



QTY	FINISH	MATERIAL	DESCRIPTION
1	NICKEL	BRASS	RIVET
1	NICKEL	BRASS	BODY

APPROVALS	DATE	PART DESCRIPTION
DRAWN G.R.S.	07/28/06	<p>Amphenol Connex</p> <p>TNC MALE CAP W/O CHAIN</p>
CHECKED		
ISSUED		

UNLESS OTHERWISE SPECIFIED DIMENSIONS ARE IN MILLIMETERS DIMENSIONS IN INCHES ARE FOR CONSUMER REFERENCE ONLY.	UNLESS OTHERWISE SPECIFIED TOLERANCES FOR MILLIMETERS ARE:	UNLESS OTHERWISE SPECIFIED TOLERANCES FOR INCHES ARE:
	0.5 - 8mm ± 0.20mm	.020 - .315 = ± 0.007"
	8 - 30mm ± 0.40mm	.315 - 1.180 = ± 0.015"
	30 - 120mm ± 0.50mm	1.180 - 4.724 = ± 0.020"

CAD FILE	DWG. NO.	REV.	NC	SIZE	A	SCALE	NA
C:/202/202101-10.DWG	202101-10.DWG						