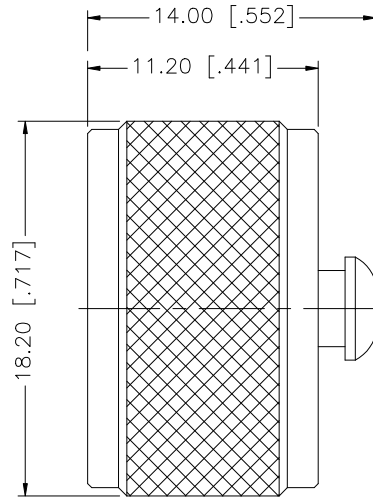


REV.	DATE	ECR NO.	DESCRIPTION
NC	06/07/99	-	INITIAL RELEASE
A	06/29/08	-	UPDATE DRAWING FORMAT



8				<small>UNLESS OTHERWISE SPECIFIED DIMENSIONS ARE IN MILLIMETERS. DIMENSIONS IN [ ] ARE IN INCHES AND FOR CUSTOMER REFERENCE ONLY.</small> <small>UNLESS OTHERWISE SPECIFIED TOLERANCES FOR MILLIMETERS ARE:</small> 0.5 - 8mm ± 0.20mm 8 - 30mm ± 0.40mm 30 - 120mm ± 0.50mm <small>UNLESS OTHERWISE SPECIFIED TOLERANCES FOR INCHES ARE:</small> .020 - .315 = ± 0.007" .315 - 1.180 = ± 0.015" 1.180 - 4.724 = ± 0.020"	APPROVALS	DATE	<h1 style="color: blue;">Amphenol Connex</h1>		
7					DRAWN	GRS		06/29/08	<b>PART DESCRIPTION</b>  N MALE CAP - NO CHAIN
6					CHECKED				
5					ISSUED				
4					SHEET	1 OF 1	<b>PART NO.</b>  202102-10		
3	RIVET	BRASS	NICKEL	1	CAD FILE			<b>DWG. NO.</b> 202102-10.DWG	
2	GASKET	SILICONE	RED	1	C:/202/202102-10.DWG		<b>REV.</b> A <b>SIZE</b> A <b>SCALE</b> NA		
1	SHELL	BRASS	NICKEL	1	DO NOT SCALE DRAWING				
	DESCRIPTION	MATERIAL	FINISH	QTY					