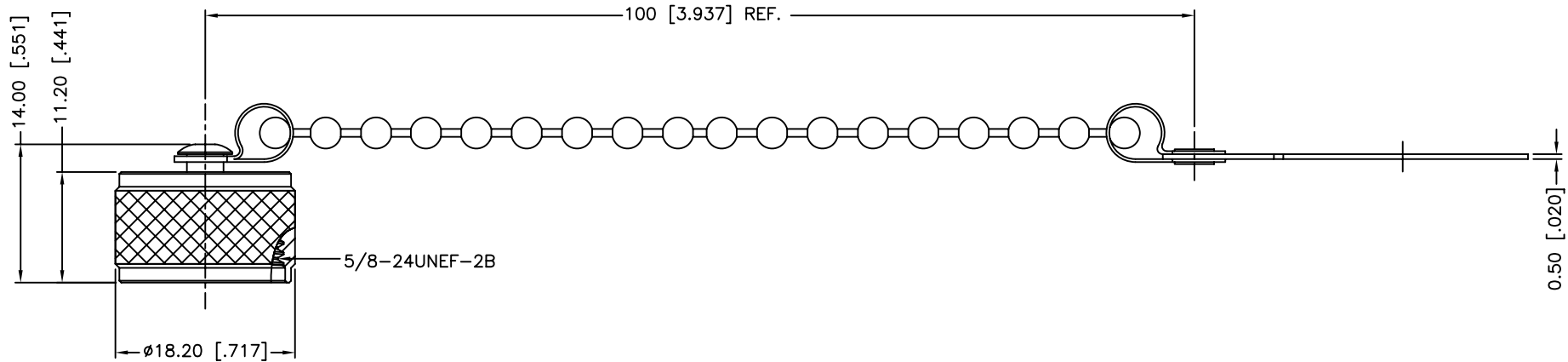
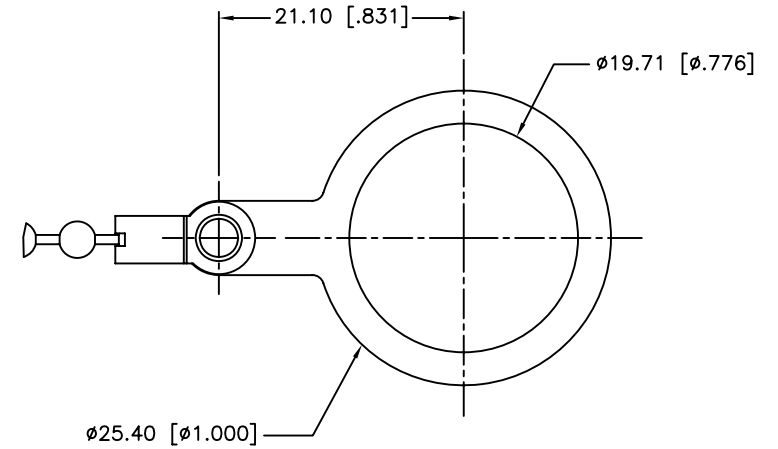
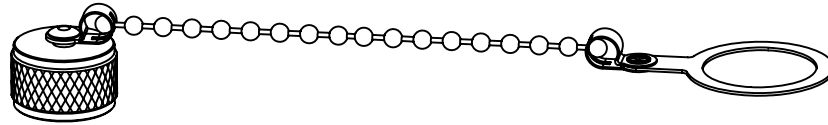


REV.	DATE	ECR NO.	DESCRIPTION
NC	12/20/11	XXXXXX	INITIAL RELEASE



DESCRIPTION	MATERIAL	FINISH	QTY
4 CHAIN	BRASS	NICKEL	1
3 RIVET	BRASS	NICKEL	1
2 GASKET	SILICON RUBBER	RED	1
1 SHELL	BRASS	NICKEL	1

UNLESS OTHERWISE SPECIFIED DIMENSIONS ARE IN MILLIMETERS. DIMENSIONS IN [] ARE IN INCHES AND FOR CUSTOMER REFERENCE ONLY.

UNLESS OTHERWISE SPECIFIED TOLERANCES FOR MILLIMETERS ARE:
0.5 - 8mm ± 0.20mm
8 - 30mm ± 0.40mm
30 - 120mm ± 0.50mm

UNLESS OTHERWISE SPECIFIED TOLERANCES FOR INCHES ARE:
.020 - .315 = ± 0.007"
.315 - 1.180 = ± 0.015"
1.180 - 4.724 = ± 0.020"

DO NOT SCALE DRAWING

APPROVALS	DATE
DRAWN M.ZHANG	12/20/11
CHECKED	
ISSUED	
SHEET 1 OF 1	
CAD FILE C:/CONNEX/202102-11.DWG	

Amphenol Connex			
PART DESCRIPTION N MALE CAP WITH CHAIN Ø19.71MM LARGE LOOP			
PART NO. 202102-11			
DWG. NO. 202102-11.DWG	REV. NC	SIZE A	SCALE NA