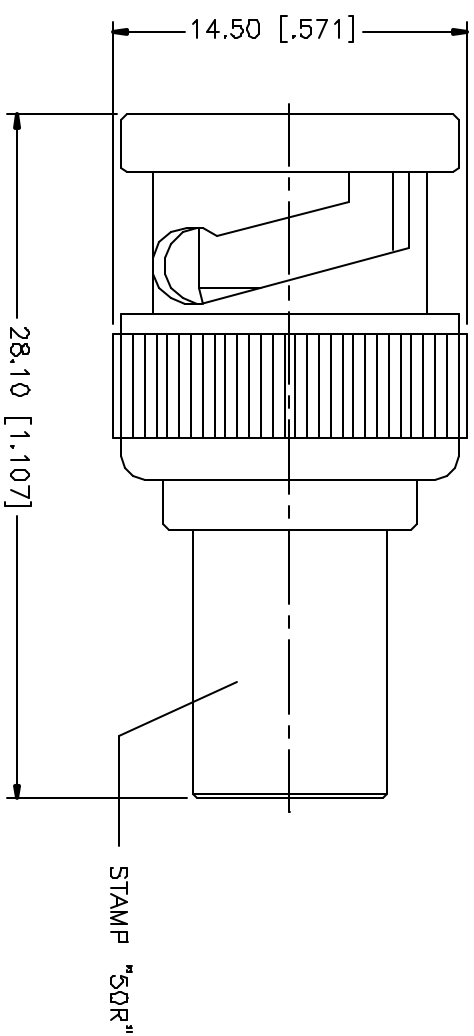


REV.	DATE	DESCRIPTION
A	05/23/05	UPDATE DRAWING FORMAT



NO.	DESCRIPTION	MATERIAL	FINISH	QTY	DD NOT SCALE DRAWING	APPROVALS	DATE	PART DESCRIPTION	DWG. NO.	REV.	SITE	SCALE		
B								<p><b>Amphenol Connex</b></p> <p><b>BNC TERMINATOR PLUG - 75ohm</b></p> <p>202105</p>	202105.DWG	A	A	NA		
7						APPROVALS	DATE							
6						DRAWN G.R.S.	05/23/05							
5						CHECKED								
4						ISSUED								
3	CONTACT PIN	BRASS	GOLD	1		SHEET 1 OF 1								
2	INSULATOR	DELRIN	NATURAL	1										
1	BODY	BRASS	NICKEL	1										
	DESCRIPTION	MATERIAL	FINISH	QTY										
<p>UNLESS OTHERWISE SPECIFIED, DIMENSIONS ARE IN INCHES AND FRACTIONS UNLESS OTHERWISE SPECIFIED. DIMENSIONS FOR MILLIMETERS ARE IN PARENTHESES FOR MILLIMETER AND FRACTIONS FOR MILLIMETER REFERENCE ONLY.</p> <p>UNLESS OTHERWISE SPECIFIED, DIMENSIONS FOR MILLIMETERS ARE:</p> <p>D.5 - .50mm ± 0.20mm  D.8 - .30mm ± 0.40mm  D.9 - .30mm ± 0.40mm  D.30 - .120mm ± 0.50mm</p> <p>UNLESS OTHERWISE SPECIFIED, DIMENSIONS FOR INCHES ARE:</p> <p>.020 - .315 - ± 0.007"  .315 - 1.180 - ± 0.015"  1.180 - 4.724 - ± 0.020"</p>						<p>DD NOT SCALE DRAWING</p>							<p>ISO FILE C:/202/202105.DWG</p>	