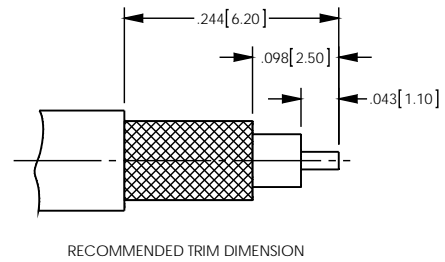
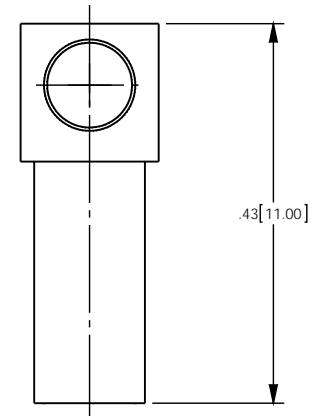
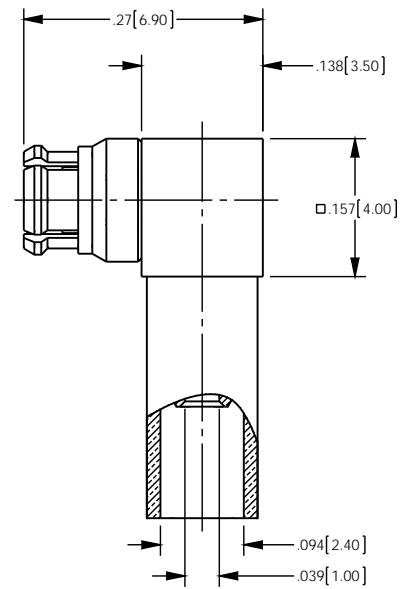


- NOTES: UNLESS OTHERWISE SPECIFIED
- FOR GENERAL SERIES SPECIFICATIONS, SEE SD361-0000
  - DESIGNED FOR USE WITH RG-178, RG-196, OR EQUIVALENT CABLE
  - MATERIAL SPECIFICATIONS:  
INSULATOR: PTFE  
BODY AND CONTACT: BERYLLIUM COPPER  
ALL OTHER METAL PARTS: BRASS
  - FINISH SPECIFICATIONS:  
CENTER CONTACTS - .00003 MIN THICK GOLD OVER .000050 MIN THICK NICKEL  
ALL OTHER METAL - THIN GOLD OVER .000050 MIN THICK NICKEL
  - ELECTRICAL SPECIFICATIONS:  
IMPEDANCE: 50 OHMS  
FREQUENCY RANGE: DC-3.0GHz
  - CAP AND FERRULE SHIPPED LOOSE
  - CRIMP WITH .128" HEX DIE.

REV	DESCRIPTION	BY	APPD
01	PRELIMINARY DRAWING PER ER054879	MS	MAN



RECOMMENDED TRIM DIMENSION

CATALOG P/N: 2021A504-178

PER ASME Y14.5M-1994 UNLESS OTHERWISE SPECIFIED, DIMENSIONS ARE IN INCHES (MM) TOLERANCES: DECIMAL: .XX [XX] ± .01 [0.3] .XXX [X.XX] ± .005 [0.13] .XXXX [X.XXXX] ± .XXXX		Winchester Electronics Corporation 199 Park Road Ext Suite 104 Middlebury, Connecticut 06762	
CUSTOMER SALES DRAWING		THIRD ANGLE 	SMP, R/A PLUG FOR RG-178 OR EQUIVALENT CABLE (ROHS)
DRAWN MS	DATE 09/10/14	APPROVED MAR	DATE 09/10/14
APPROVED XXX	DATE XX/XX/XX	APPROVED XXX	DATE XX/XX/XX
<b>A</b>		SD2021A504-178	SHIT OF REV 1 1 01