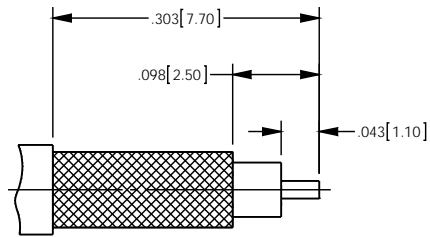
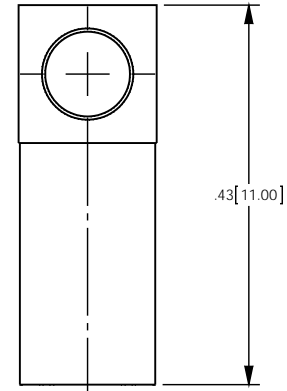
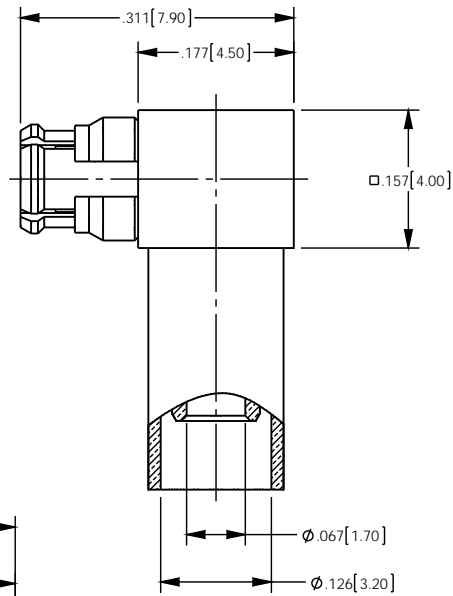


- NOTES: UNLESS OTHERWISE SPECIFIED
- FOR GENERAL SERIES SPECIFICATIONS, SEE SD361-0000
 - DESIGNED FOR USE WITH RG-316 OR EQUIVALENT CABLE
 - MATERIAL SPECIFICATIONS:
 INSULATOR: PTFE
 BODY AND CONTACT: BERYLLIUM COPPER
 FERRULE: COPPER
 ALL OTHER METAL PARTS: BRASS
 - FINISH SPECIFICATIONS:
 CONTACT: .000003 MIN THICK GOLD OVER .000050 MIN THICK NICKEL
 ALL OTHER METAL PARTS: .000003 MIN THICK GOLD OVER .000080 MIN THICK NICKEL
 - ELECTRICAL SPECIFICATIONS:
 IMPEDANCE: 50 OHMS
 FREQUENCY RANGE: DC-3.0GHz
 - CAP AND FERRULE SHIPPED LOOSE
 - CRIMP WITH .128" HEX DIE.

REV	DESCRIPTION	BY DATE	APPD
A	ER057281	DM/12/15	Jr



RECOMMENDED TRIM DIMENSION

CATALOG P/N: 2021B504-316

PER ASME Y14.5M-1994 UNLESS OTHERWISE SPECIFIED, DIMENSIONS ARE IN INCHES (MM) TOLERANCES: DECIMAL: .XX [XX] ± .01 [0.3] .XXX [XXX] ± .005 [0.13] .XXXX [XXXX] ± .000X ANGLES: ± 2° SCALE: 6:1		 Winchester Electronics Corporation 199 Park Road Ext Suite 104 Middlebury, Connecticut 06762	
CUSTOMER SALES DRAWING		THIRD ANGLE 	
DRAWN: CY DATE: 04/14/15 APPROVED: J DATE: 04/22/15 APPROVED: XXX DATE: XX/XX/XX APPROVED: XXX DATE: XX/XX/XX		SMP, R/A PLUG FOR RG-316 OR EQUIVALENT CABLE (ROHS)	
A		SD2021B504-316	SHIT OF REV 1 1 A