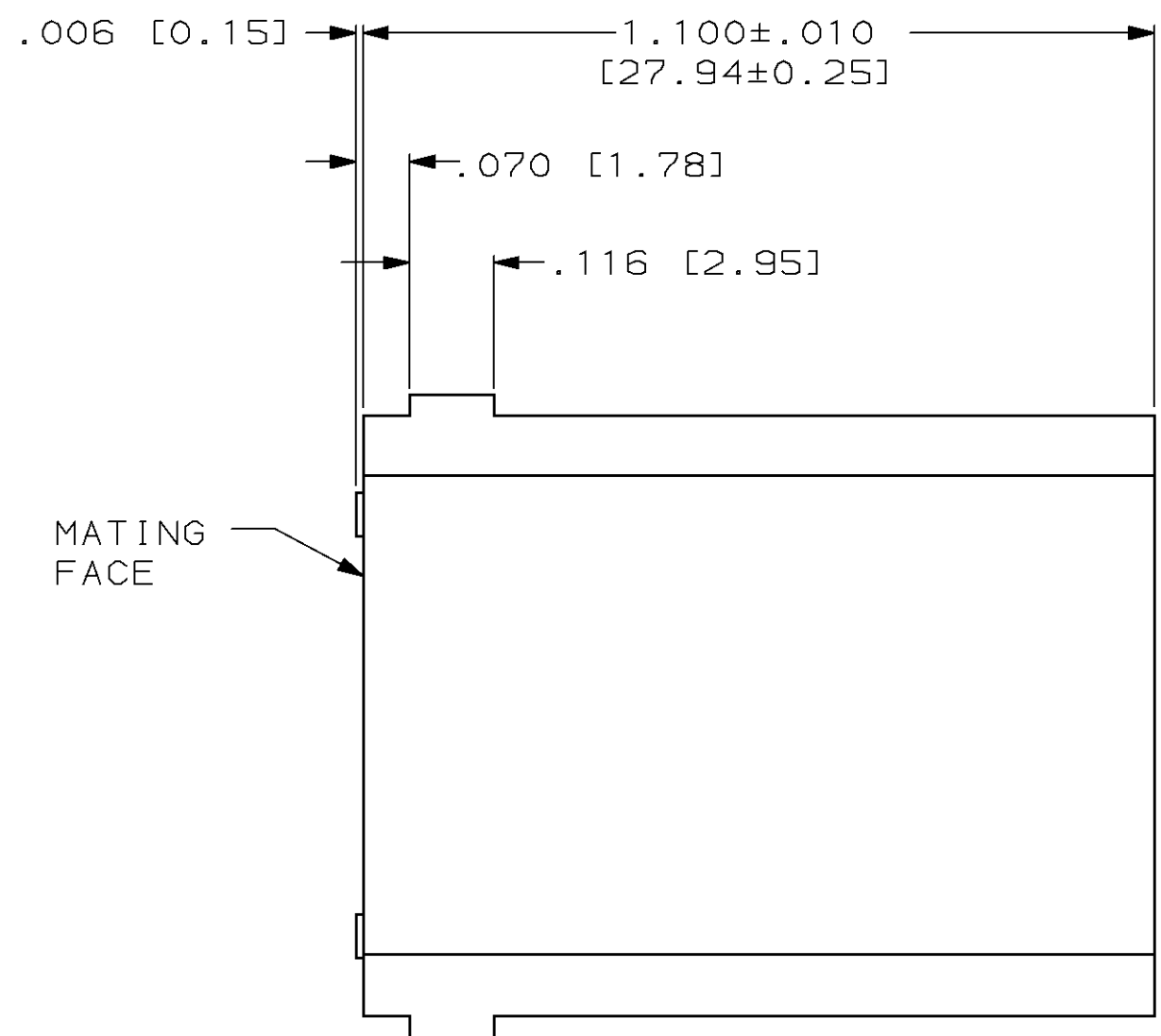
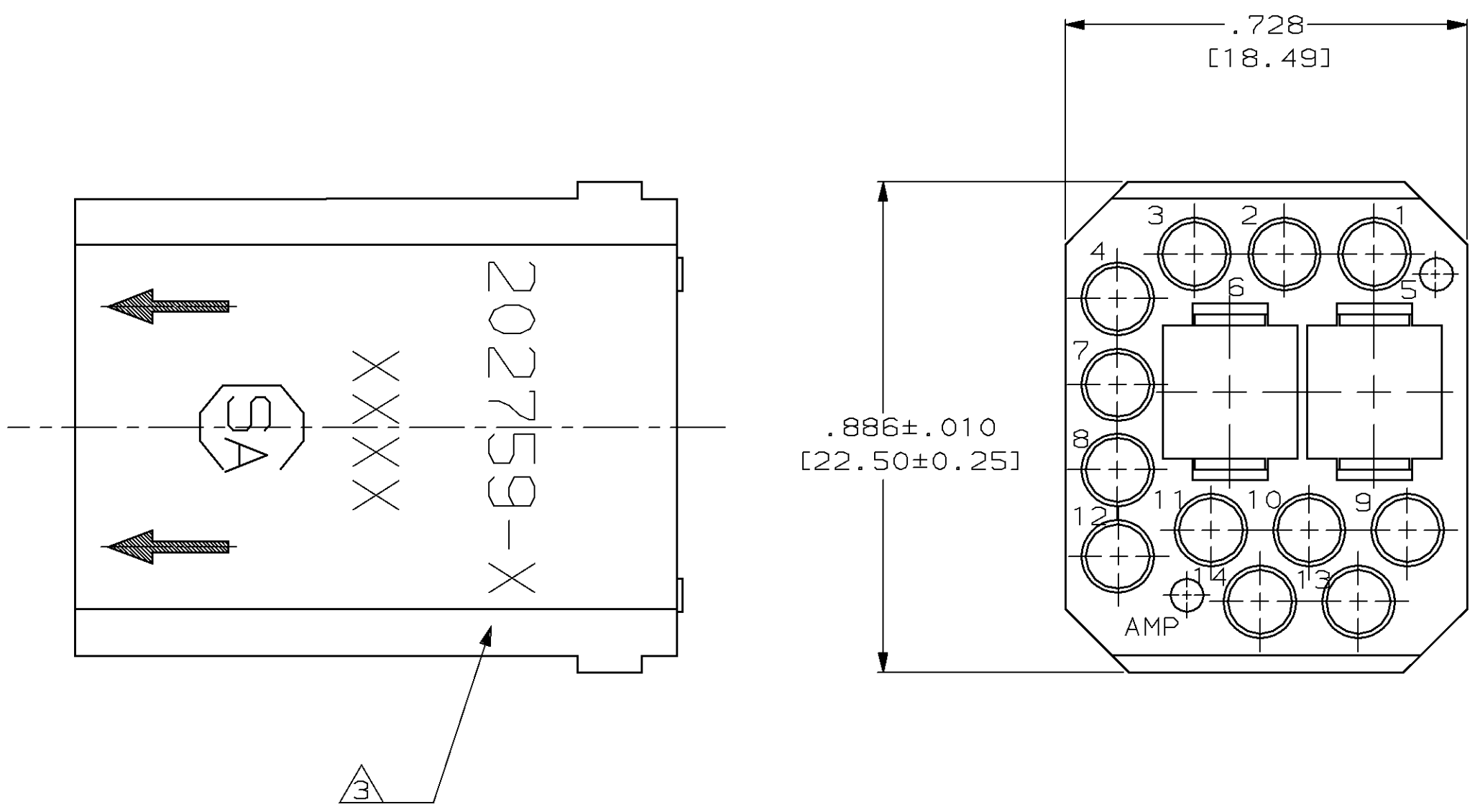


LOC	DIST	P	F	REVISIONS				
				ZONE	LTR	DESCRIPTION	DATE	APPD
DF	BO				F	REV & REDRAWN DF-4297 PY	11-91	DBM
					G	REV PER 0600-4161-95 JB	08-30-95	DBM



- ① MATERIAL: PHENOLIC PER MIL-M-14, TYPE CFG OR MFH, COLOR: BLACK
  - ② MATERIAL: DIALLYL PHTHALATE PER MIL-M-14, TYPE SDG-F, COLOR: BLUE
  - ③ AMP PART NO, DATE CODE, CSA CERT, AND ARROWS MARKED WITH WHITE INK OR BY LASER MARKING AT APPROX AREA SHOWN, EITHER SIDE
4. THIS MODULE WILL ACCOMMODATE:  
 (2) TYPE XII MALE CONTACTS AND  
 (12) SUBMINIATURE COAXICON, TYPE II SIZE 16, TYPE III(+) SIZE 16 OR TYPE VI SIZE 16 PIN CONTACTS
5. THIS MODULE MATES WITH 202760

②	202759-4
①	202759-2
MATERIAL	PART NUMBER

DO NOT SCALE PRINT. UNLESS SPECIFIED DIMENSIONS IN INCHES [mm] TOLERANCES ON : 2 PLC DEC ± - 3 PLC DEC ± .005 ANGLES ± -		DR 9-12-91 P.YEAGER		AMP Incorporated Harrisburg, PA 17105-3608	
MATERIAL SEE TABLE		CHK 11-12-91 D.B.MUMMEY			
FINISH -		APPD 11-12-91 D.B.MUMMEY		NAME	
		APPD -		MALE BLOCK G SERIES, 14 POSN	
		PRODUCT SPEC -			
		APPLICATION SPEC -		SIZE	CAGE CODE
		WEIGHT -		③	00779
				DRAWING NO	202759
				SCALE	4:1
				SHEET	1 OF 1