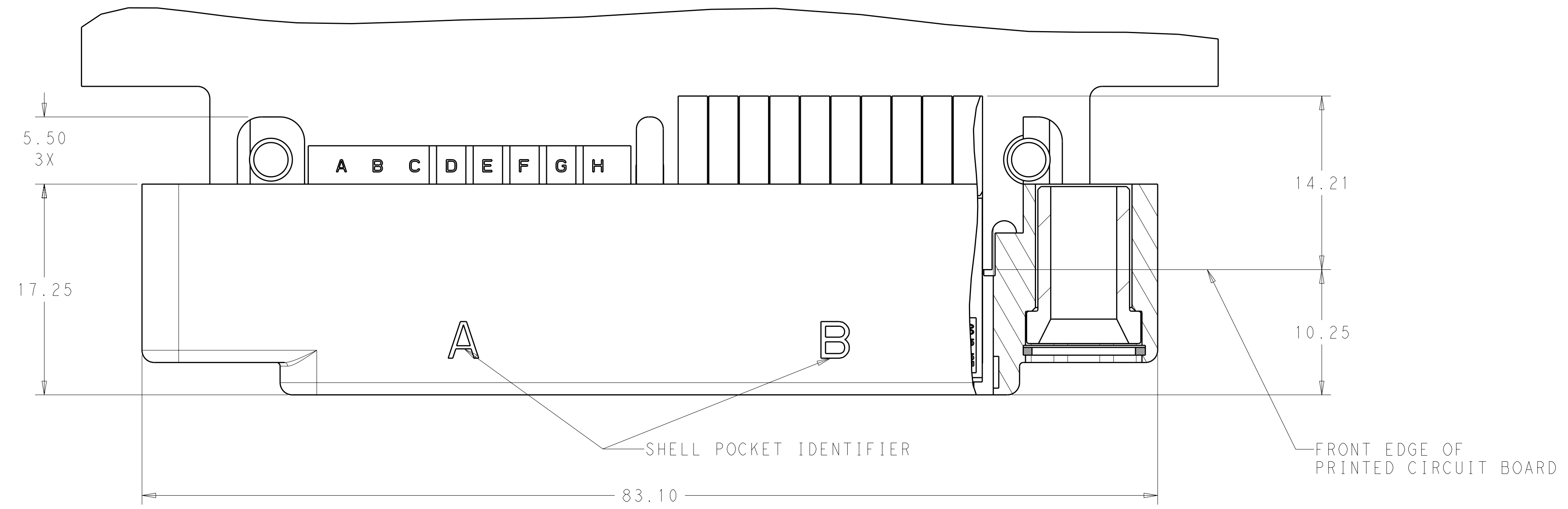
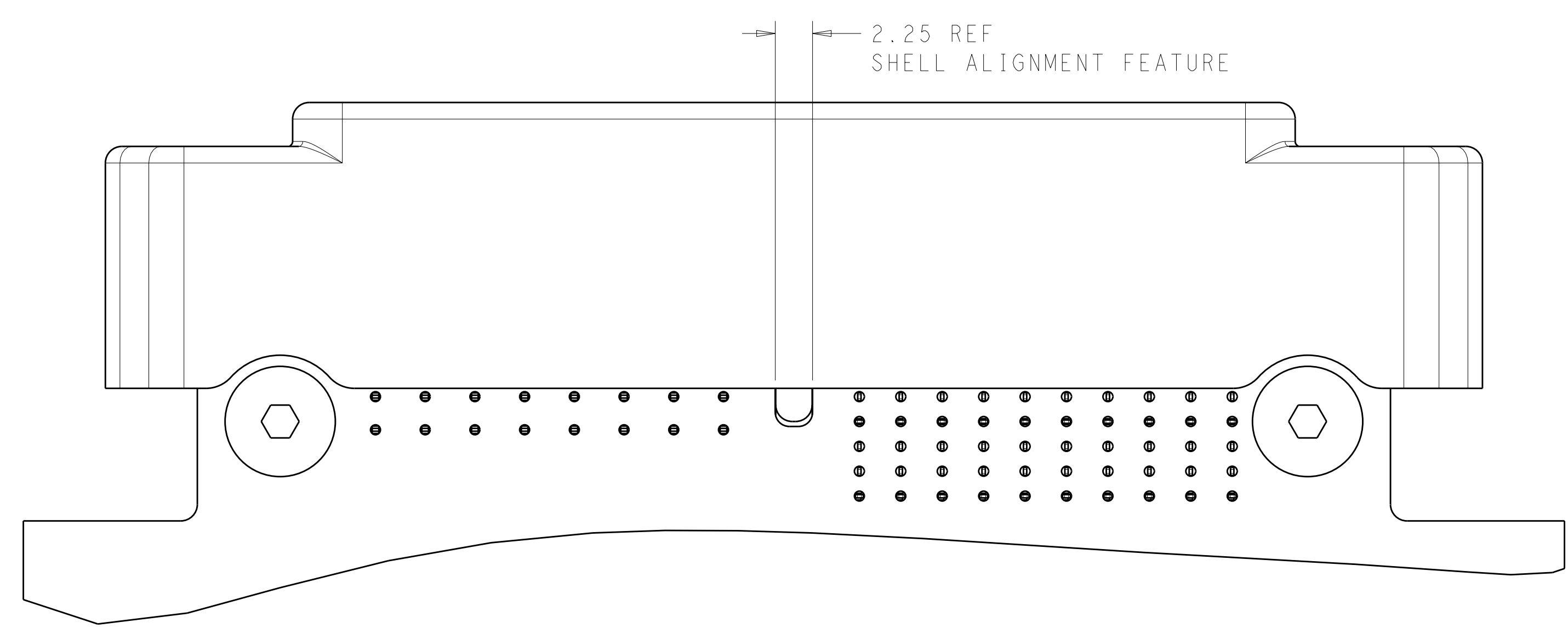
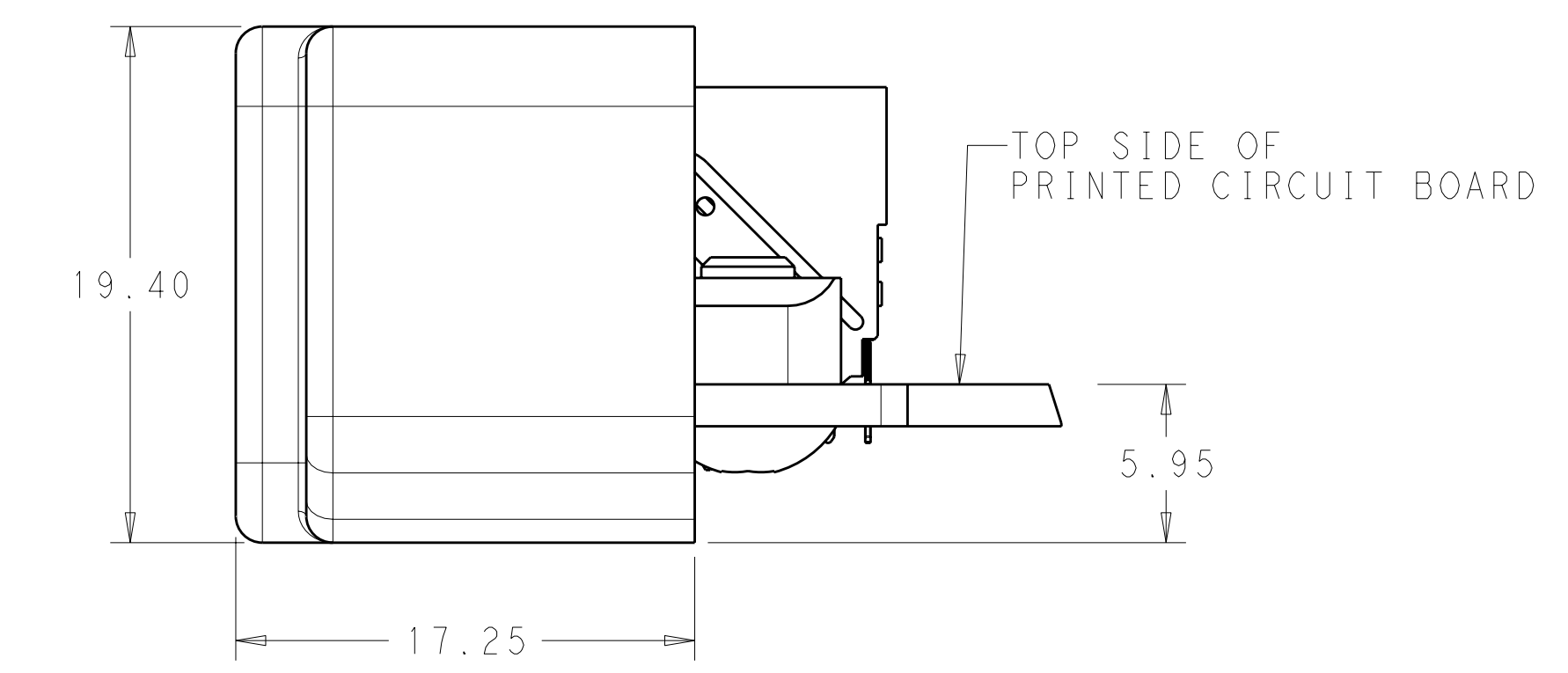
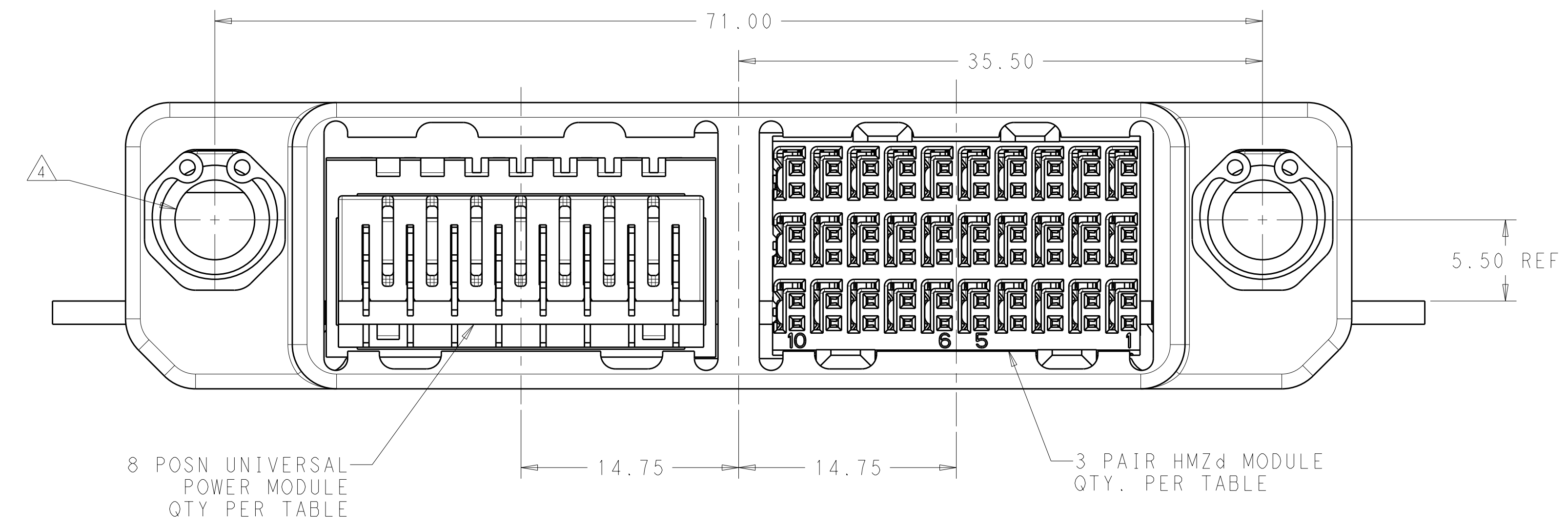


LOC	DIST	REV	DATE	BY	CHK	APPV
-	-	D	3-2-11	CT	DH	



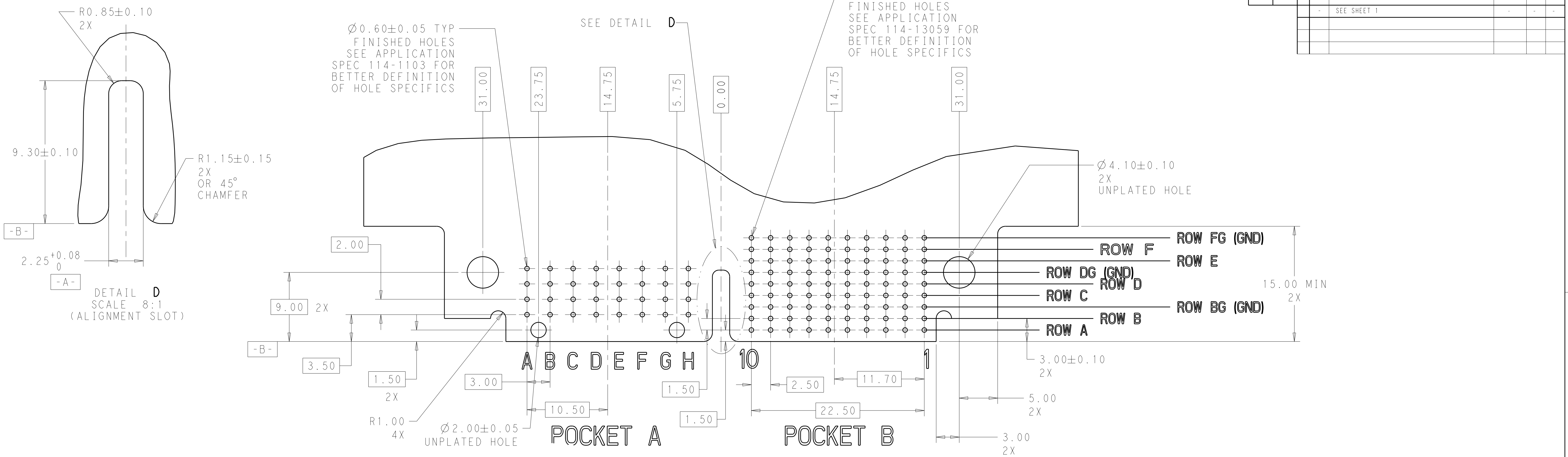
- MATING CONNECTOR FOR THIS CONNECTOR IS 2033994.
- MATERIAL - SHELL: ALUMINUM
HOUSING: GLASS FILLED POLYESTER, UL94V0
RETAINING RING: STAINLESS STEEL
KEYING GUIDE SOCKET: STAINLESS STEEL
- PLATING - CONTACT MATING AREA:
1.27µm MIN GOLD OVER 1.27µm MIN NICKEL
CONTACT PCB AREA: 0.5µm MIN BRIGHT
TIN-LEAD OVER 1.27µm MIN NICKEL
- SHELL: ELECTROLESS NICKEL
- KEYING GUIDE SOCKET AND RETAINING RING
PACKAGED FOR ASSEMBLY BY CUSTOMER.



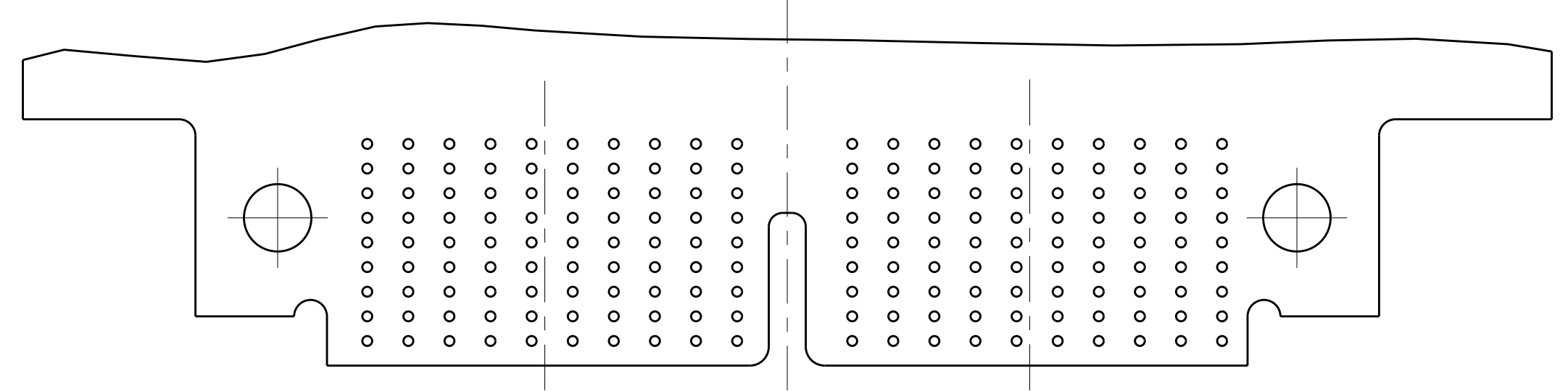
-	2	-	2033993-3
1	1	-	2033993-2
NOT RELEASED			2033993-1
8 POSN UPM	3 PAIR HMZd WITHOUT ESD SHIELD	3 PAIR HMZd WITH ESD SHIELD	PART NUMBER
MODULE QTY PER ASSY			

DIMENSIONS: mm 		TOLERANCES UNLESS OTHERWISE SPECIFIED: 9 PLC ± 1 PLC ±0.13 5 PLC ±0.013 4 PLC ± ANGLES ±#1 FINISH		DWN: Brent D. Toth CHK: CHONG YI APPV: M. R. McALONIS DATE: 13JAN2010 NAME: M. R. McALONIS		Tyco Electronics Harrisburg, PA 17105-3608	
MATERIAL:		FINISH:		PRODUCT SPEC: 108-2381 APPLICATION SPEC:		DAUGHTER CARD CONNECTOR HIGH SPEED RUGGEDIZED (HSR) 2 BAY, UNSEALED, RIGHT ANGLE	
WEIGHT:		SCALE: 1:1		SHEET: 1 OF 2		REV: D	

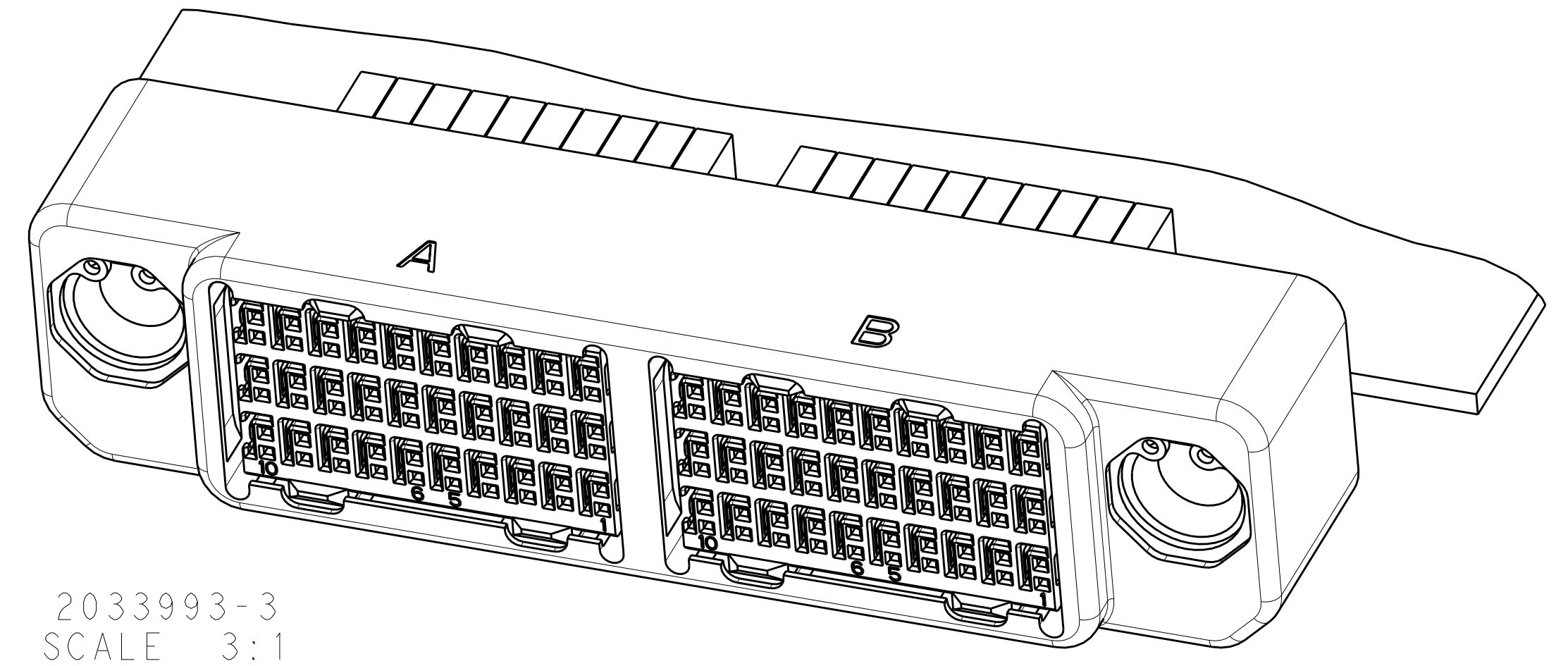
LOC		DIST		REVISIONS			
				DESCRIPTION	DATE	OWN	APVD
-	-	-	-	SEE SHEET 1	-	-	-



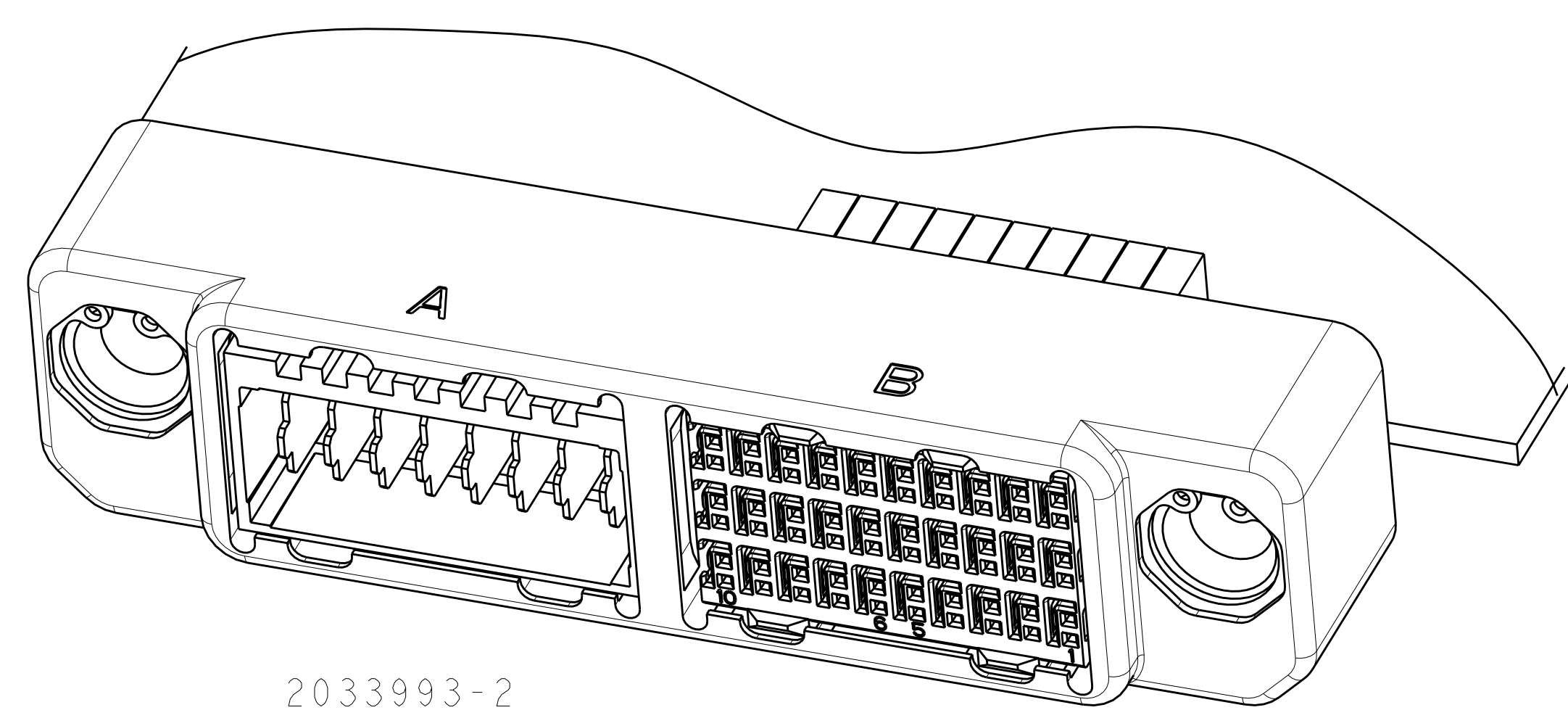
**RECOMMENDED PRINTED CIRCUIT BOARD LAYOUT
 AS VIEWED FROM TOP OF PRINTED CIRCUIT BOARD**



2033993-3 PCB
 SCALE 3:1



2033993-3
 SCALE 3:1



2033993-2
 SCALE 3:1

DIMENSIONS:		TOLERANCES UNLESS OTHERWISE SPECIFIED:		OWN: Brent D. Toth CHG: CHONG YI APVD: M. R. McALONIS		Tyco Electronics Harrisburg, PA 17105-3608	
mm	9 PLC ±	1 PLC ±	2 PLC ±0.13	3 PLC ±0.013	4 PLC ±	NAME: DAUGHTER CARD CONNECTOR HIGH SPEED RUGGEDIZED (HSR) 2 BAY, UNSEALED, RIGHT ANGLE	RESTRICTED TO
MATERIAL:	FINISH:	WEIGHT:	CAGE CODE:	DRAWING NO:	SCALE:	SIZE: A100779C=2033993	REV: D
CUSTOMER DRAWING				SCALE: 4:1		SHEET 2 OF 2	