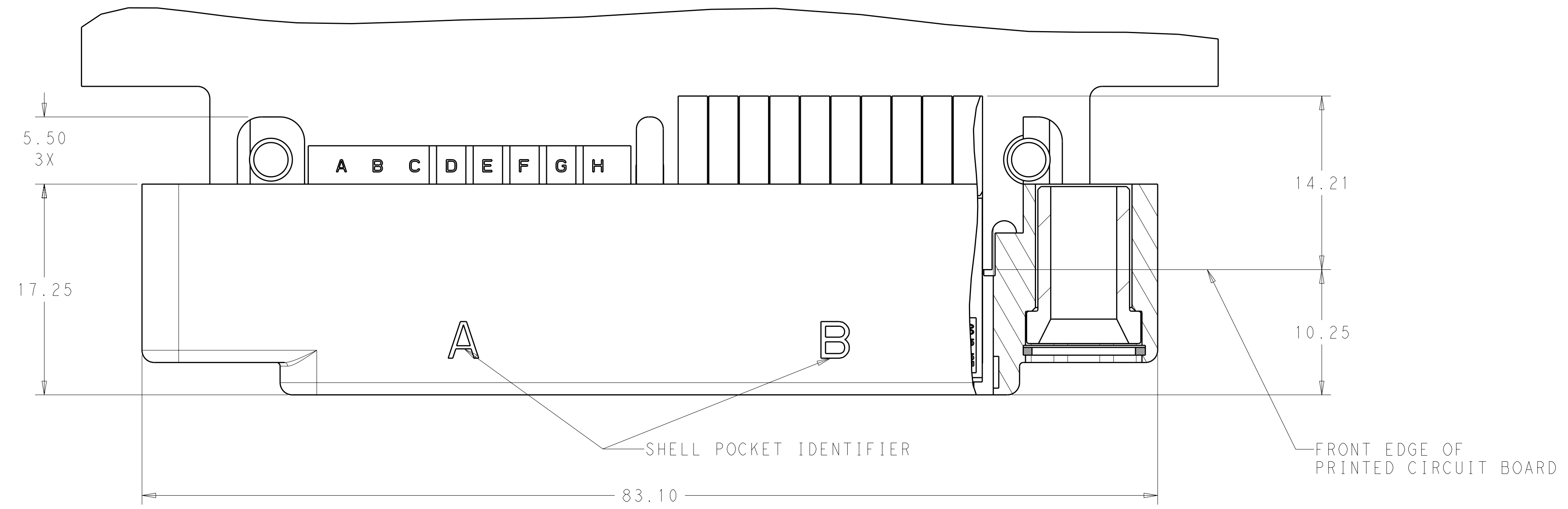
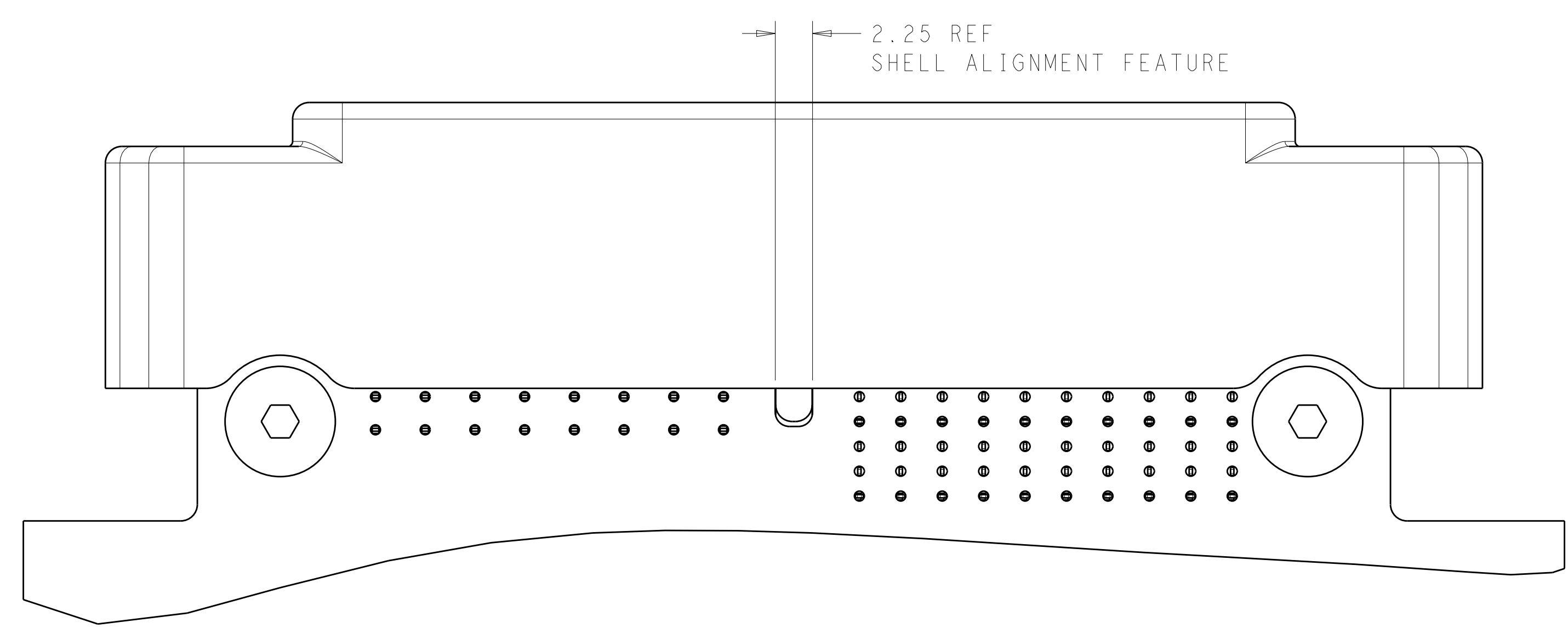
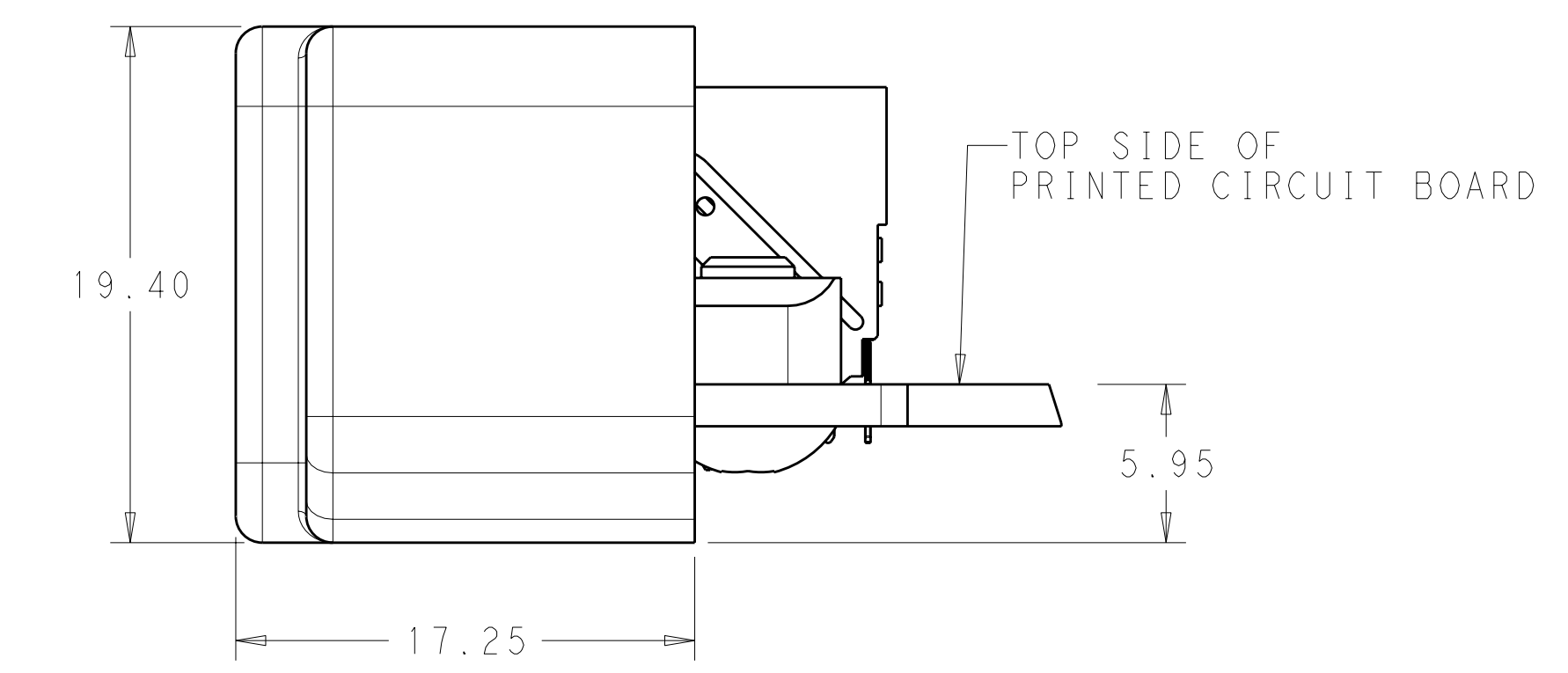
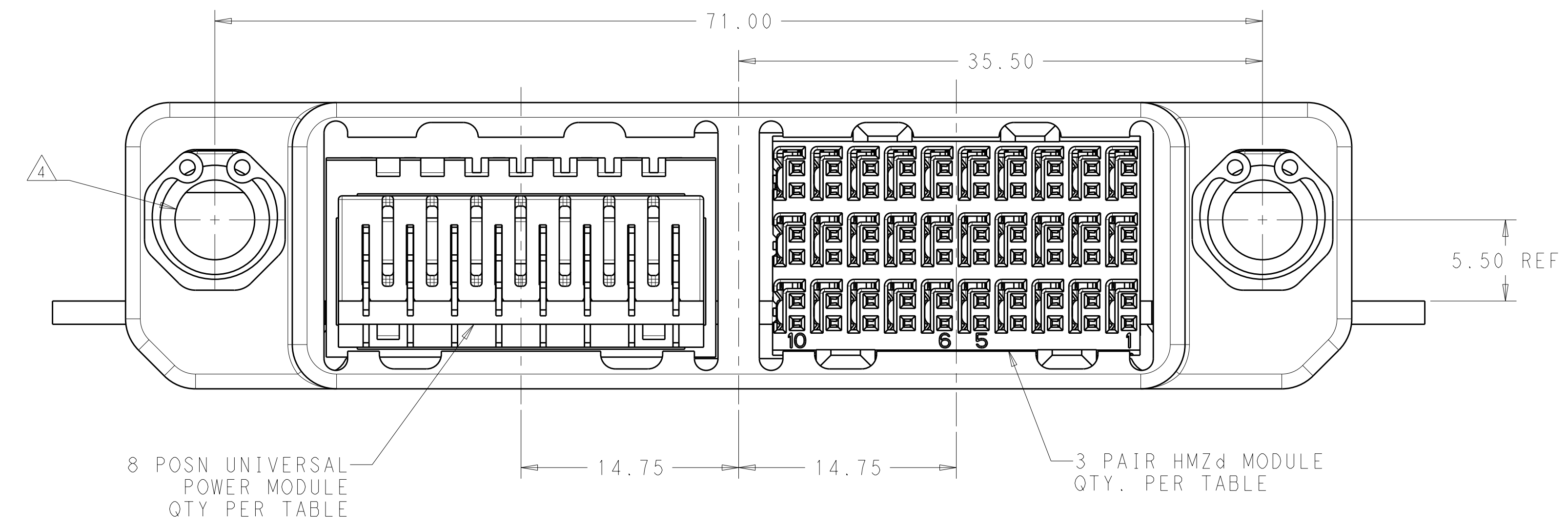


LOC	DIST	REV	DATE	BY	CHK	APPV
-	-	D	3-2-11	CT	DH	



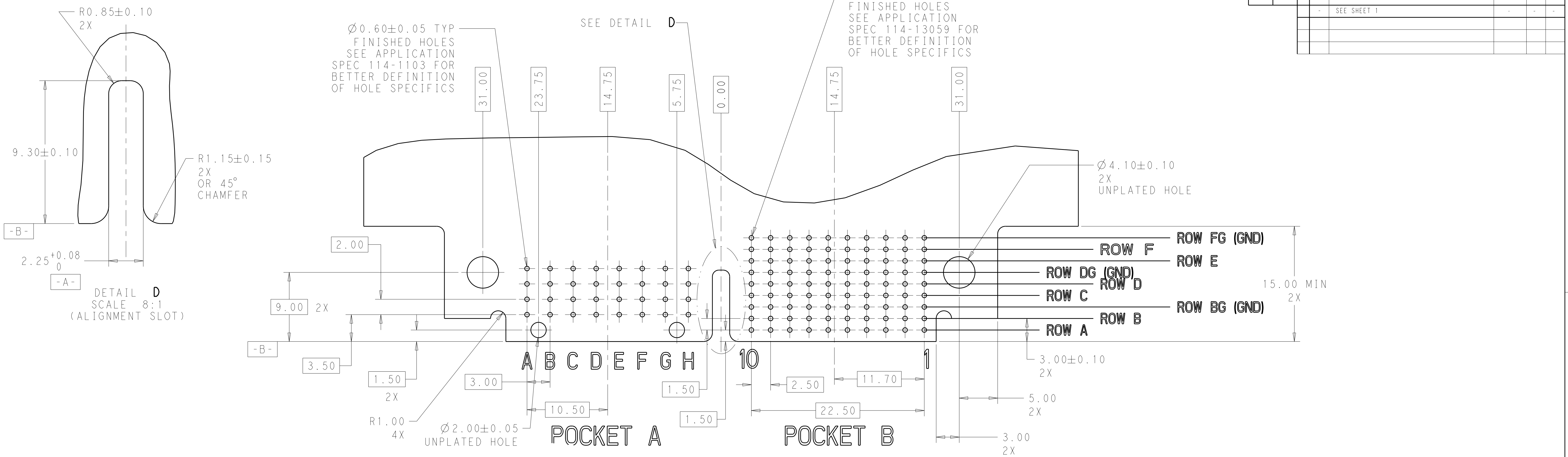
- MATING CONNECTOR FOR THIS CONNECTOR IS 2033994.
- MATERIAL - SHELL: ALUMINUM
HOUSING: GLASS FILLED POLYESTER, UL94V0
RETAINING RING: STAINLESS STEEL
KEYING GUIDE SOCKET: STAINLESS STEEL
- PLATING - CONTACT MATING AREA:
1.27µm MIN GOLD OVER 1.27µm MIN NICKEL
CONTACT PCB AREA: 0.5µm MIN BRIGHT
TIN-LEAD OVER 1.27µm MIN NICKEL
- SHELL: ELECTROLESS NICKEL
- KEYING GUIDE SOCKET AND RETAINING RING
PACKAGED FOR ASSEMBLY BY CUSTOMER.



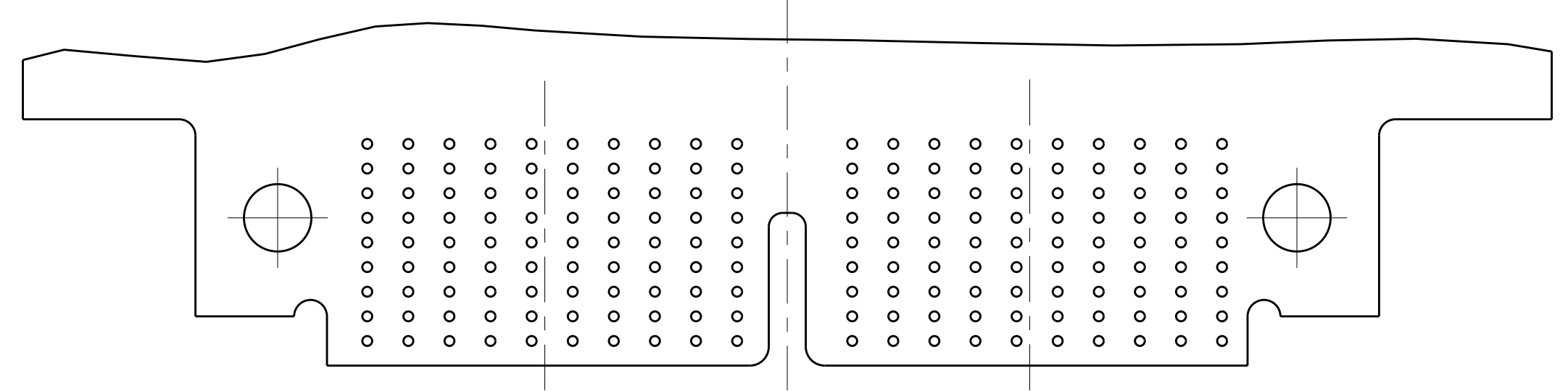
-	2	-	2033993-3
1	1	-	2033993-2
NOT RELEASED			2033993-1
8 POSN UPM	3 PAIR HMZd WITHOUT ESD SHIELD	3 PAIR HMZd WITH ESD SHIELD	PART NUMBER
MODULE QTY PER ASSY			

DIMENSIONS: mm 9 PLC ± 1 PLC ±0.13 5 PLC ±0.013 4 PLC ± ANGLES ±#1 FINISH: 2, 3		TOLERANCES UNLESS OTHERWISE SPECIFIED: 9 PLC ± 1 PLC ±0.13 5 PLC ±0.013 4 PLC ± ANGLES ±#1 FINISH: 2, 3		DWN: Brent D. Toth CHK: CHONG YI APPV: M. R. McALONIS DATE: 13JAN2010 NAME: M. R. McALONIS PRODUCT SPEC: 108-2381 APPLICATION SPEC: WEIGHT: CUSTOMER DRAWING		Tyco Electronics Harrisburg, PA 17105-3608 DAUGHTER CARD CONNECTOR HIGH SPEED RUGGEDIZED (HSR) 2 BAY, UNSEALED, RIGHT ANGLE SIZE: CAGE CODE DRAWING NO. RESTRICTED TO A100779C=2033993 SCALE: 1:1 SHEET 1 OF 2 REV D	
---	--	---	--	--	--	---	--

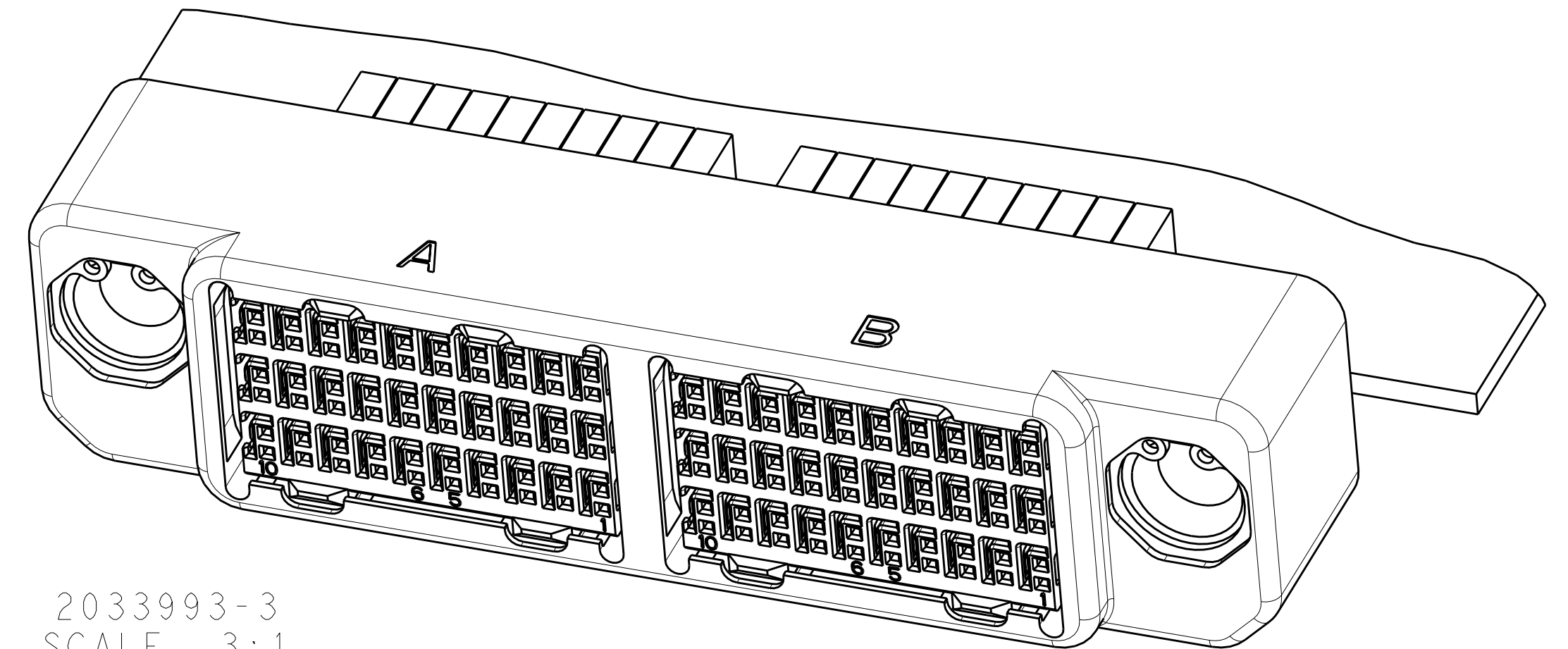
LOC		DIST		REVISIONS			
				DESCRIPTION	DATE	OWN	APVD
-	-	-	-	SEE SHEET 1	-	-	-



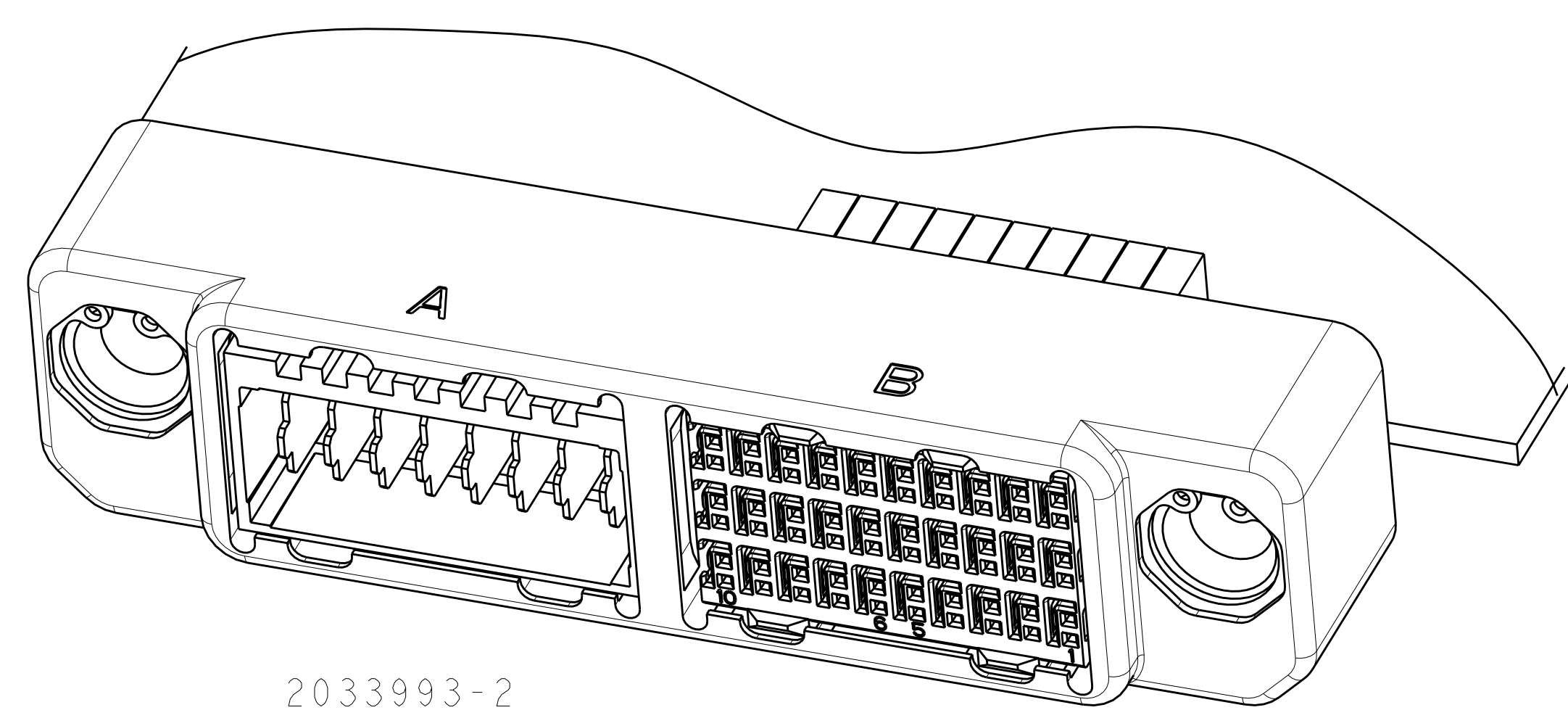
**RECOMMENDED PRINTED CIRCUIT BOARD LAYOUT
 AS VIEWED FROM TOP OF PRINTED CIRCUIT BOARD**



2033993-3 PCB
 SCALE 3:1



2033993-3
 SCALE 3:1



2033993-2
 SCALE 3:1

DIMENSIONS:		TOLERANCES UNLESS OTHERWISE SPECIFIED:		OWN: Brent D. Toth CHG: CHONG YI APVD: M. R. McALONIS		Tyco Electronics Harrisburg, PA 17105-3608	
mm	9 PLC ±	1 PLC ±0.13	3 PLC ±0.013	4 PLC ±	5 PLC ±	NAME: DAUGHTER CARD CONNECTOR HIGH SPEED RUGGEDIZED (HSR) 2 BAY, UNSEALED, RIGHT ANGLE	RESTRICTED TO
MATERIAL:	FINISH:	WEIGHT:	CUSTOMER DRAWING:	SCALE: 4:1	SHEET: 2 OF 2	REV: D	