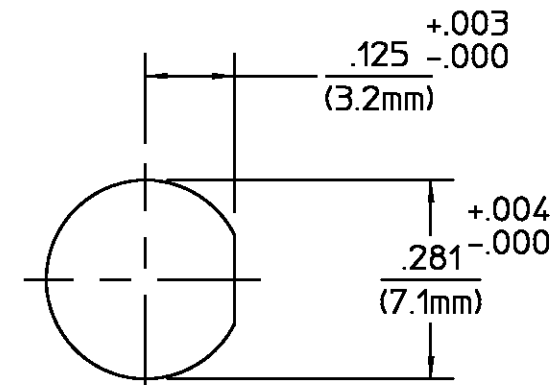
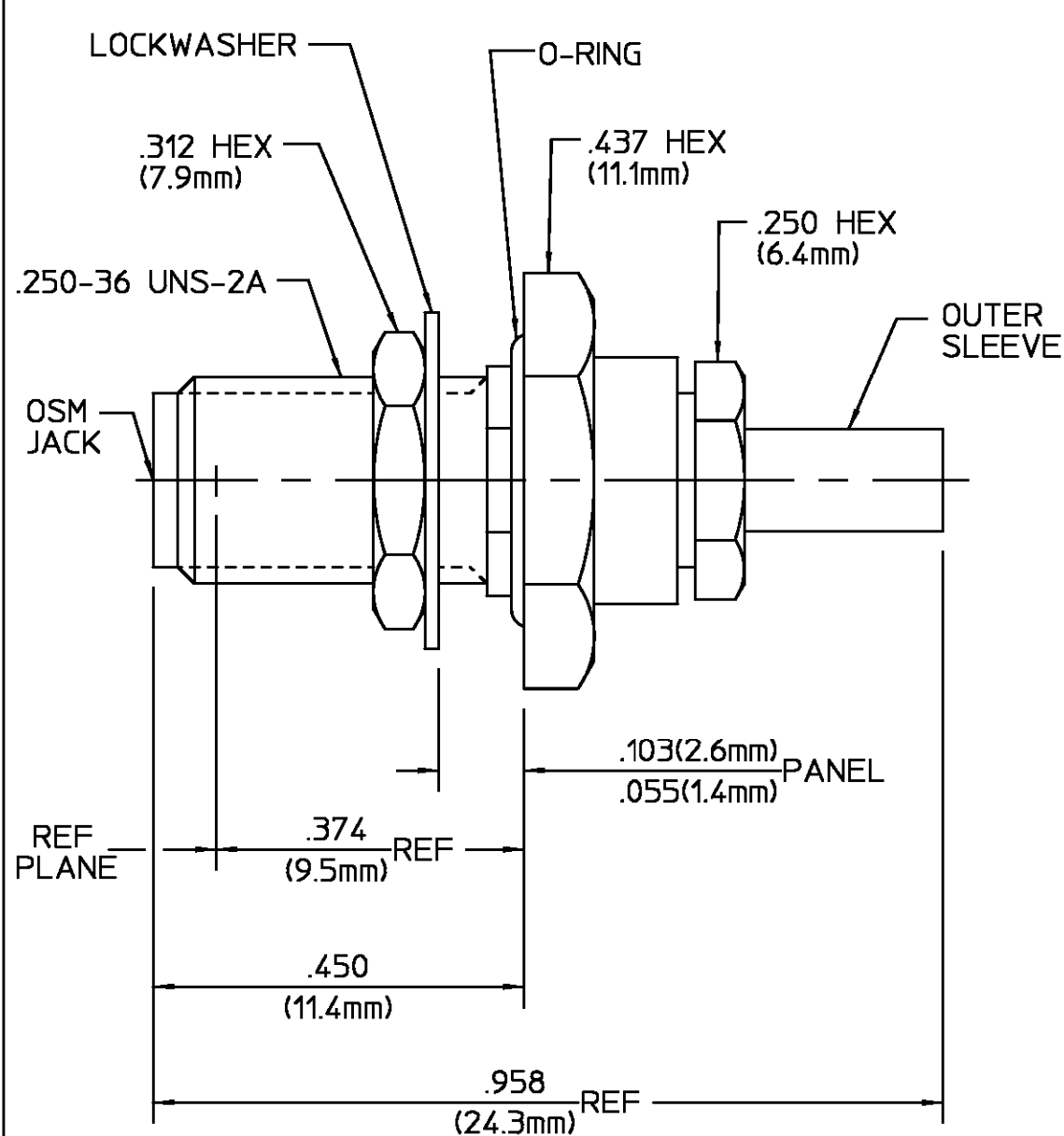


REVISIONS			
REV	DESCRIPTION	DATE	APPROVED
01 <sub>1</sub>	REVISED PER ECN 72-0065	03/27/00	<i>C. Hoang</i> 3/27/00



COMPONENT	MATERIAL	FINISH
HOUSING CLAMP NUT MOUNTING NUT LOCKWASHER	STAINLESS STEEL PER ASTM-A484 AND ASTM- A582, TYPE 303	PASSIVATE PER ASTM A380
SLEEVE	STAINLESS STEEL PER ASTM-A484 AND ASTM- A582, TYPE 303	GOLD PLATE PER MIL-G-45204
DIELECTRIC	TFE FLUOROCARBON PER MIL-P-19468 AND FED SPEC L-P-403	N/A
DIELECTRIC	NYLON	N/A
CENTER CONTACT	BERYLLIUM COPPER PER QQ-C-530, ALLOY 173	GOLD PLATE PER MIL-G-45204
FERRULE	SOFT COPPER ALLOY	GOLD PLATE PER MIL-G-45204
O-RING	SILICONE RUBBER PER ZZ-R-765	N/A

- NOTES:
- DESIGNED FOR USE WITH RG-316/U CABLE
  - CAPTURED CENTER CONTACT

CABLE ENTRY DIAMETER MINIMUM	
FERRULE	.128
SLEEVE	.067
DIELECTRIC	.021
CONTACT	.021

UNLESS OTHERWISE SPECIFIED  
DIMENSIONS ARE IN INCHES  
TOLERANCE ON  
FRAC. DEC. ANGLES  
± 1/64 ± .005 ± °

These drawings and specifications are the property of AMP Incorporated and shall not be reproduced or copied or used in whole or in part as the basis for the manufacture or sale of item(s) without written permission.

DRAWN BY *RAC* DATE 8/12/96  
CHECKED BY *RAC*  
APP'D BY *RAC* DATE 8/12/96

USE ASS'Y PROCEDURE

408-04924  
NO. AP. (20-538)

AMP Incorporated  
140 Fourth Avenue  
Waltham, MA 02451-7599

**AMP**

TITLE  
SMA BULKHEAD FEEDTHRU CABLE JACK  
CRIMP ATTACH. M39012/59-3026 CAT.C

SIZE B	CODE IDENT NO. 26805	2034-8026-92	REV 01 <sub>1</sub>
-----------	-------------------------	--------------	------------------------

SCALE 5:1 SHEET 1 OF 1