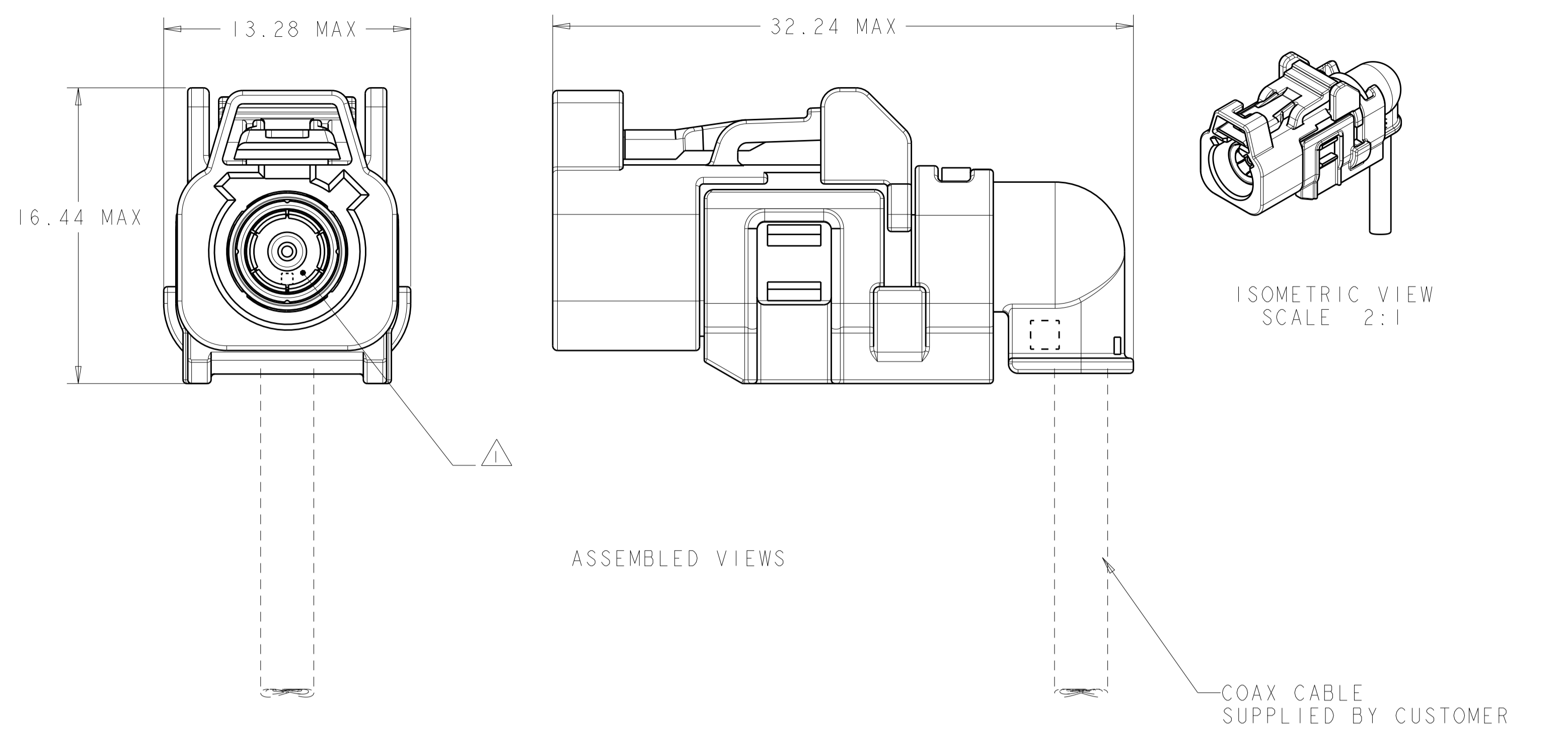
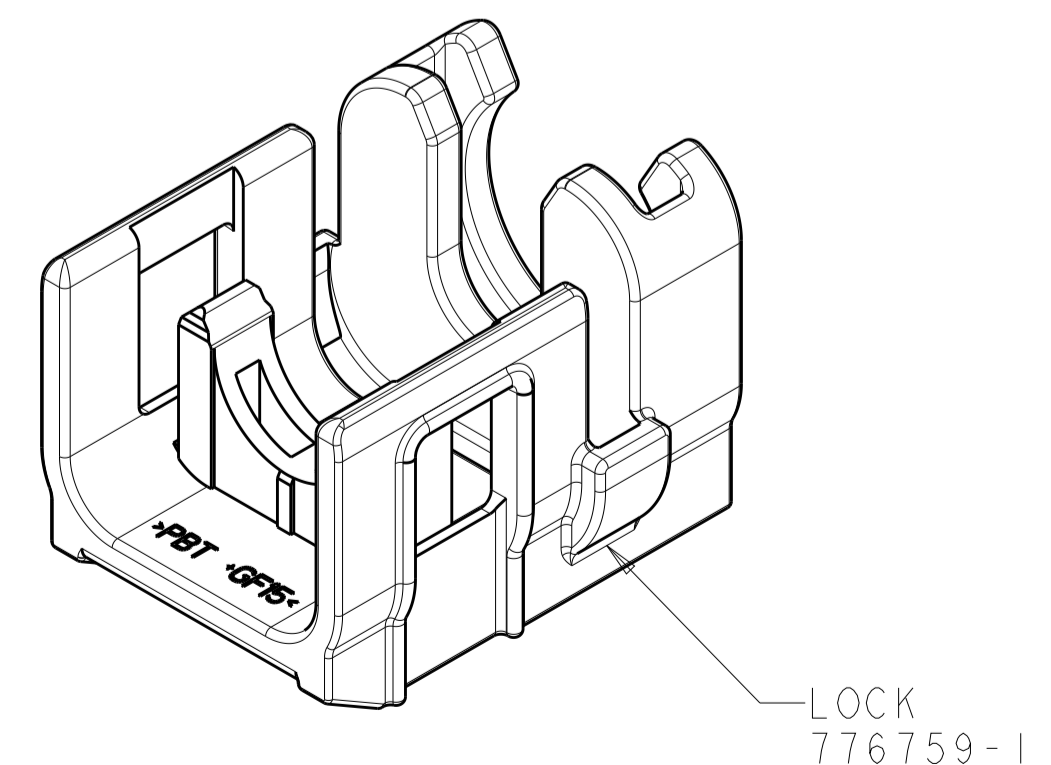
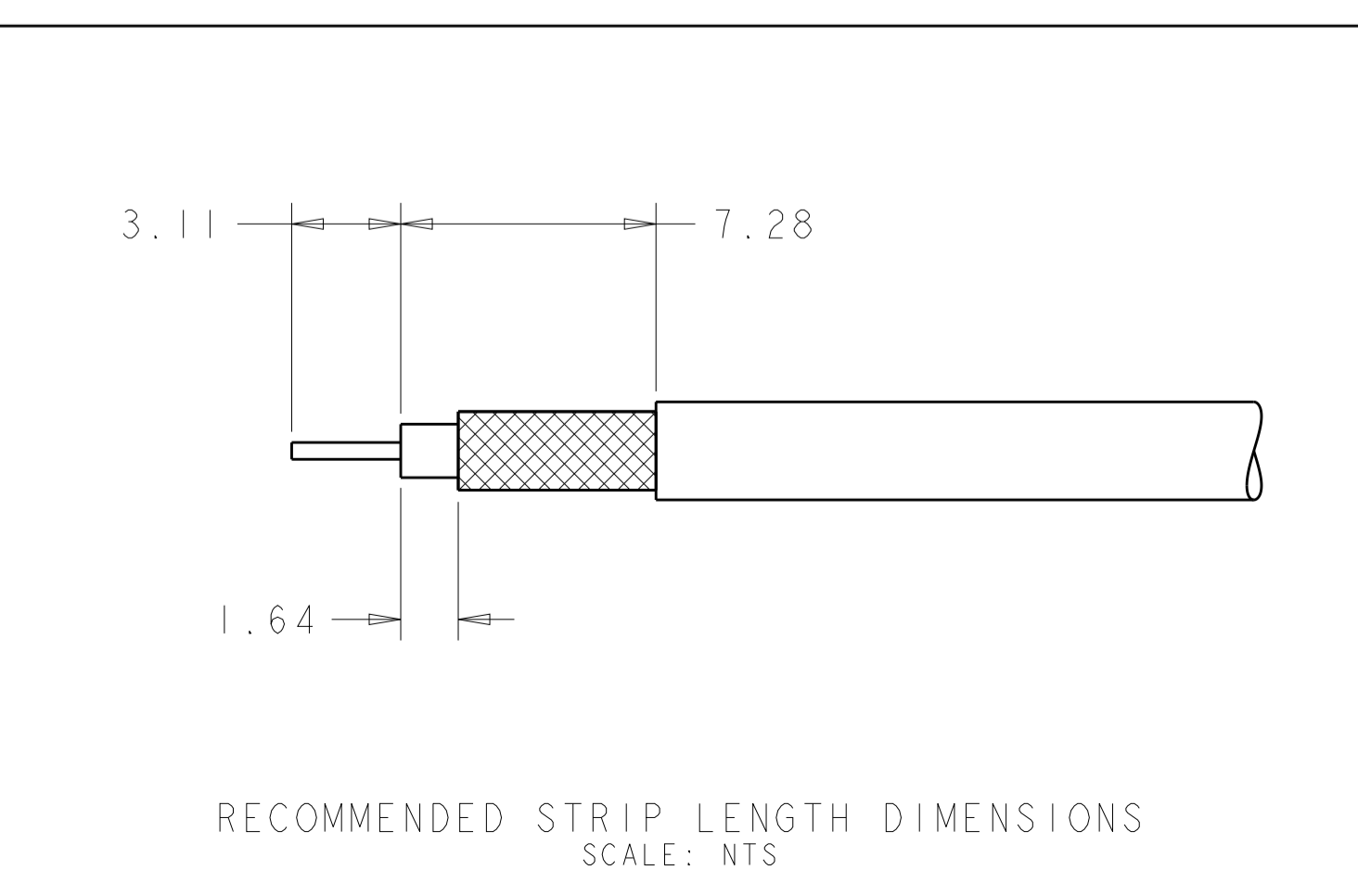
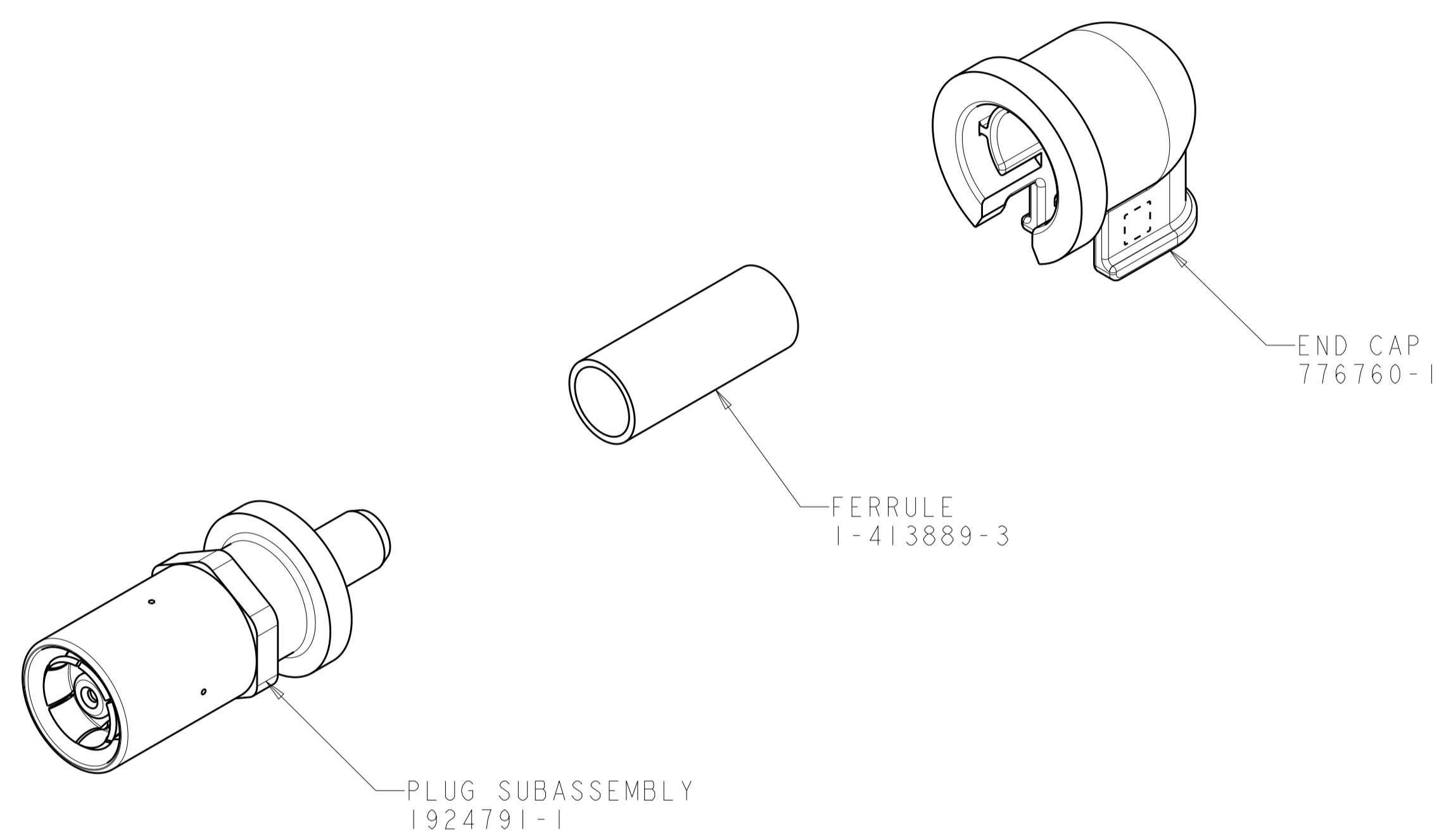


REVISIONS				
P.	LTN	DESCRIPTION	DATE	OWN APVD
B2		ECO-13-012147	29AUG2013	KP LV
B3		REVISED PER ECO-16-008496	07JUN2016	DD LV
B4		REVISED PER ECO-19-002003	07FEB2019	CN AP



1. PLUG ACCEPTS JACKS MEETING DIN 72594-1, ROAD VEHICLES - RADIO FREQUENCY INTERFACE - DIMENSIONS AND ELECTRICAL REQUIREMENTS.
2. PLUG SUBASSEMBLY WILL ACCEPT RG-316, RG-174 OR RG-174 LOW LOSS COAXIAL CABLE.
3. CRIMP FERRULE USING MIL HAND TOOL M22520/5-01 WITH DANIELS DIE SET Y1637 (.128 INCH HEX) OR AMP PROCRIMPER II WITH DIE SET 58483-1 PER TYCO ELECTRONICS SPECIFICATION 408-8428.
4. SOCKET CONTACT 1438896-4 MUST BE PURCHASED SEPERATELY.
5. SUBASSY 1924937-1 (EXTENDED DIELECTRIC) IS ALLOWED AS AN ALTERNATE TO SUBASSY 1924791-1.



KEYING	CODING	HOUSING COLOR	PLUG HOUSING PART NUMBER	PART NUMBER
PER DETAIL Z	Z	WATER BLUE	2-2138495-1	2-2035141-1
PER DETAIL M	M	PASTEL ORANGE	1-1438893-2	1-2035141-2
PER DETAIL K	K	CURRY	1-1438893-0	1-2035141-0
PER DETAIL H	H	HEATHER VIOLET	1438893-8	2035141-8
PER DETAIL G	G	BLUE GREY	1438893-7	2035141-7
PER DETAIL F	F	NUT BROWN	1438893-6	2035141-6
PER DETAIL E	E	LEAF GREEN	1438893-5	2035141-5
PER DETAIL D	D	CLARET VIOLET	1438893-4	2035141-4
PER DETAIL C	C	SIGNAL BLUE	1438893-3	2035141-3
PER DETAIL B	B	SIGNAL WHITE	1438893-2	2035141-2
PER DETAIL A	A	JET BLACK	1438893-1	2035141-1

THIS DRAWING IS A CONTROLLED DOCUMENT.

OWN: H. PETERSON 18APR2008
CHK: L. VARSIK 18APR2008
APVD: L. VARSIK 18APR2008

TE Connectivity

NAME: PLUG KIT, UNASSEMBLED, 1 POSITION, RG-316 OR RG-174, 90 DEGREE, FAKRA, SMB

SIZE: A1 CAGE CODE: 114-13157 DRAWING NO: 2035141

RESTRICTED TO: B4

SCALE: 5:1 SHEET 1 OF 2 REV: B4

REVISIONS				
P.	LTN	DESCRIPTION	DATE	OWN APVD
-	-	SEE SHEET 1	-	-



THIS DRAWING IS A CONTROLLED DOCUMENT.		OWN: K. PETERSON 18APR2008	TE Connectivity NAME: PLUG KIT, UNASSEMBLED, 1 POSITION, RG-316 OR RG-174, 90 DEGREE, FAKRA, SMB RESTRICTED TO:
DIMENSIONS: mm		CHK: L. VARSIK 18APR2008	
TOLERANCES UNLESS OTHERWISE SPECIFIED: 0 PLC ± 1 PLC ±0.25 2 PLC ± 3 PLC ± 4 PLC ± ANGLES ±		APVD: L. VARSIK 18APR2008	
MATERIAL: -	FINISH: -	PRODUCT SPEC: -	APPLICATION SPEC: -
WEIGHT: -		SIZE: A1	CAGE CODE: 00779
CUSTOMER DRAWING		SCALE: 5:1	SHEET 2 OF 2
		REV: B4	