


Features

- 5 mm diameter, 4 mm long (2035 series)
- 5 mm diameter, 5 mm long (2037 series)
- UL Recognized 
- High surge current rating
- Stable breakdown throughout life
- RoHS compliant* versions available

Applications

- Telecommunications
- Industrial electronics
- Commercial electronics
- Consumer electronics

2035/2037 Series - Miniature 2-Pole Gas Discharge Tube

Characteristics

Test Methods per ITU-T K.12, IEEE C62.31 and IEC 61643-311 GDT standards.

| Characteristic | Model No. | | | | | |
|---|-----------------|--------------|--------------|--------------|--------------|--------------|
| | 2035-2037-09 | 2035/2037-15 | 2035/2037-20 | 2035/2037-23 | 2035/2037-25 | 2035/2037-30 |
| DC Sparkover $\pm 15\%$ ($\pm 20\%$ for Model 2035/2037-09) @ 100 V/s | 90 V | 150 V | 200 V | 230 V | 250 V | 300V |
| Impulse Sparkover ⁽¹⁾ | 100 V/ μ s | 350 V | 425 V | 450 V | 475 V | 525 V |
| | 1000 V/ μ s | 550 V | 575 V | 600 V | 625 V | 650 V |

| Characteristic | Model No. | | | | | |
|-----------------------------------|-----------------|--------------|--------------|--------------|--------------|--------|
| | 2035/2037-35 | 2035/2037-40 | 2035/2037-42 | 2035/2037-47 | 2035/2037-60 | |
| DC Sparkover $\pm 15\%$ @ 100 V/s | 350 V | 400 V | 420 V | 470 V | 600 V | |
| Impulse Sparkover ⁽¹⁾ | 100 V/ μ s | 600 V | 650 V | 675 V | 750 V | 950 V |
| | 1000 V/ μ s | 750 V | 800 V | 850 V | 950 V | 1100 V |

⁽¹⁾ Impulse Sparkover voltage is defined as typical values of distribution.

| | | |
|--|---|--------------------|
| Insulation Resistance (IR) | 100 V (50 V for Models 2035/2037-09) | $> 10^{10} \Omega$ |
| Glow Voltage | 10 mA | ~ 70 V |
| Arc Voltage | 1 A | ~ 10 V |
| Glow-Arc Transition Current | | < 0.5 A |
| Capacitance..... | 1 MHz | < 1 pF |
| DC Holdover Voltage ⁽²⁾ | 135 V, (52 V for Models 2035/2037-09, | < 150 ms |
| Impulse Discharge Current | 10000 A, 8/20 μ s ⁽³⁾ | 1 operation min. |
| | 5000 A, 8/20 μ s | > 10 operations |
| | 1000 A, 10/350 μ s | 1 operation |
| | 100 A, 10/1000 μ s | > 300 operations |
| | 100 A, 10/700 μ s | > 500 operations |
| Alternating Discharge Current | 20 Arms, 11 cycles ⁽³⁾ | 1 operation min. |
| | 5 Arms, 1 s | > 10 operations |
| Operating Temperature | | -55 to +85 °C |
| Climatic Category (IEC 60068-1)..... | | 40/90/21 |

Notes:

- UL recognized component, UL File E153537.
- Model number marking on tube: xxxV.
- Sparkover limits after life $\pm 20\%$ (-25 %, +30 % for Models 2035/2037-09 and 2035/2037-60) , IR $>10^8 \Omega$.
- Other DC sparkover ranges available on request.
- At delivery AQL 0.65 Level II, DIN ISO 2859.

⁽²⁾ Network applied.

⁽³⁾ DC Sparkover may exceed $\pm 20\%$ but will continue to protect without venting.



WARNING Cancer and Reproductive Harm - www.P65Warnings.ca.gov

*RoHS Directive 2015/863, Mar 31, 2015 and Annex.

Specifications are subject to change without notice.

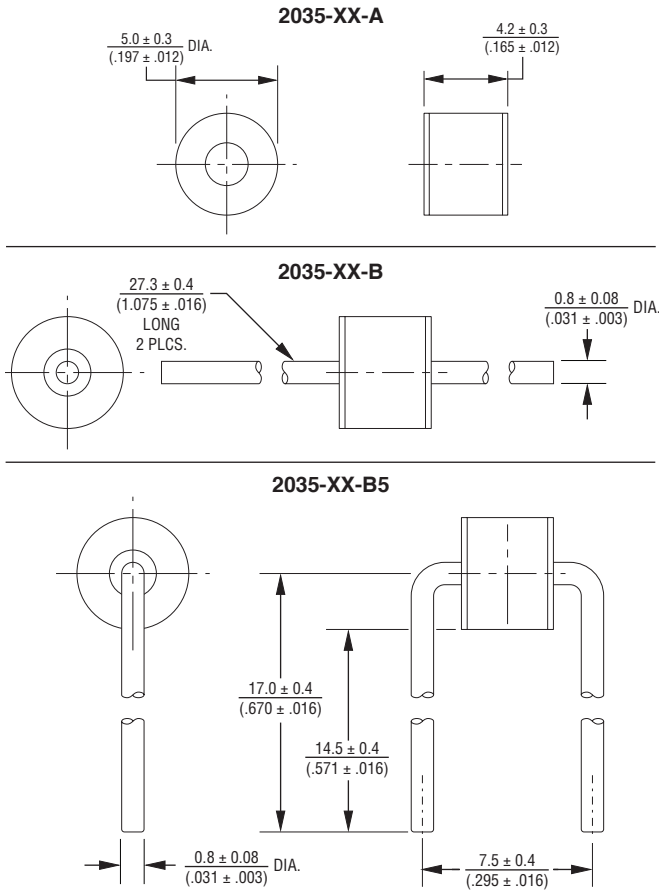
Users should verify actual device performance in their specific applications.

The products described herein and this document are subject to specific legal disclaimers as set forth on the last page of this document, and at www.bourns.com/docs/legal/disclaimer.pdf.

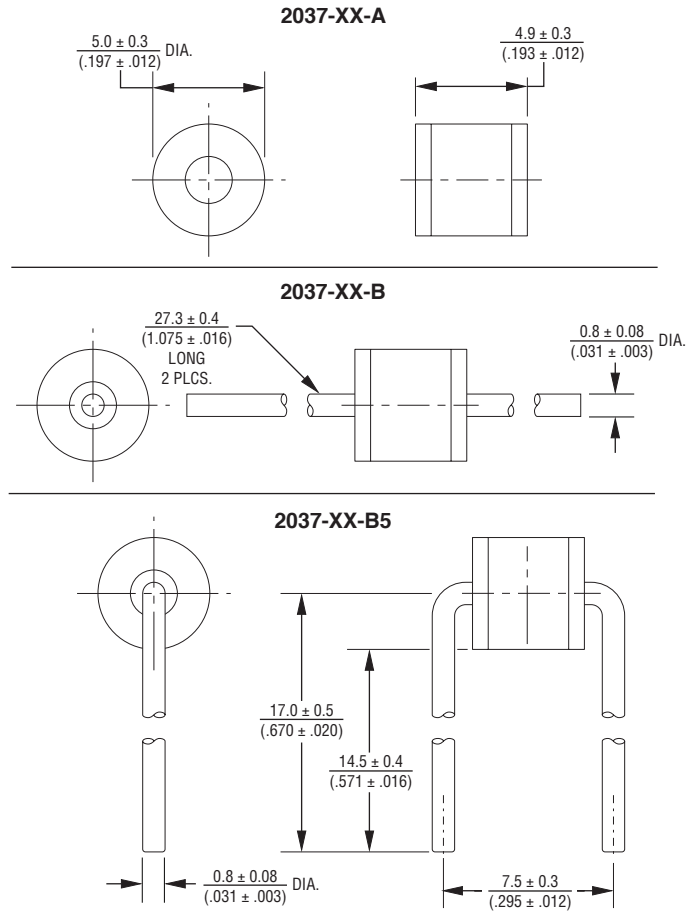
2035/2037 Series - Miniature 2-Pole Gas Discharge Tube



Product Dimensions

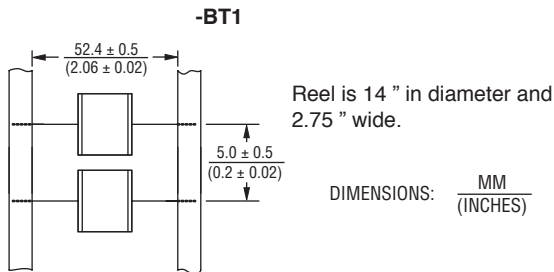


2035-xx-B5 not available in reel pack.



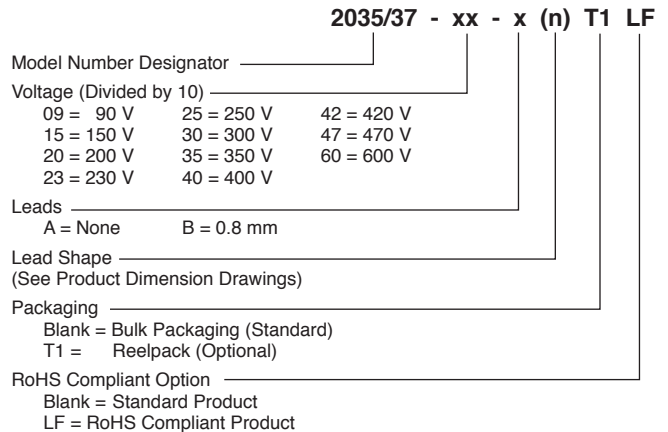
2037-xx-B5 not available in reel pack.

Packaging Specifications



| Model | Standard Packaging Quantity | | | |
|------------------|-----------------------------|------|------|------|
| | Bulk (Bag) | Tray | Box | Reel |
| 2035/2037-XX-A | 250 | | 1000 | |
| 2035/2037-XX-B | 100 | | 700 | |
| 2035/2037-XX-B5 | 250 | | 1000 | |
| 2035/2037-XX-BT1 | | | | 1000 |

How to Order



REV. 11/20

Specifications are subject to change without notice.

Users should verify actual device performance in their specific applications.

The products described herein and this document are subject to specific legal disclaimers as set forth on the last page of this document, and at www.bourns.com/docs/legal/disclaimer.pdf.