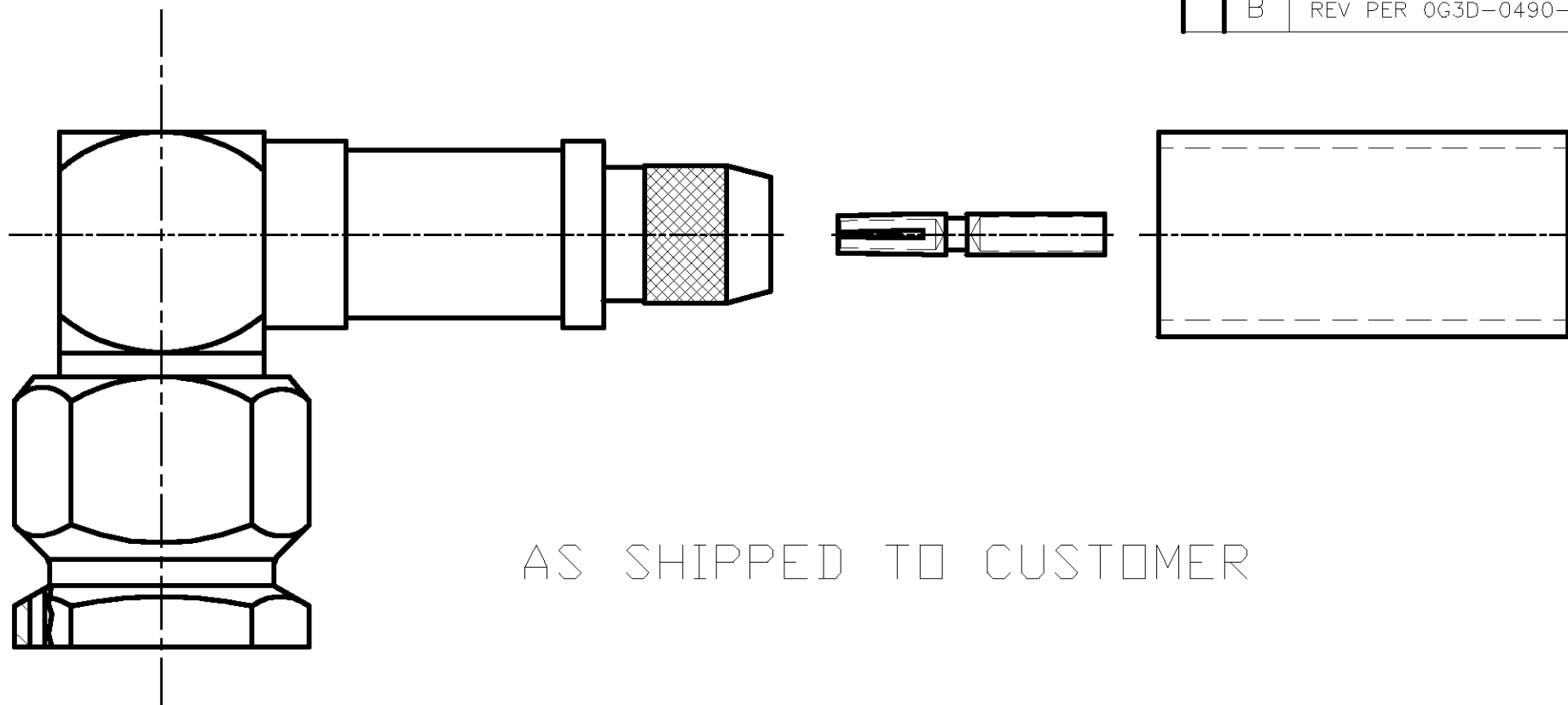


THIS DRAWING IS UNPUBLISHED. RELEASED FOR PUBLICATION N/A, N/A
 © COPYRIGHT N/A BY TYCO ELECTRONICS CORPORATION. ALL RIGHTS RESERVED.

LOC	DIST	REVISIONS			
P	LTR	DESCRIPTION	DATE	DWN	APVD
DF	XO	B	REV PER 0G3D-0490-02	11-02	JMK JL

COMPONENT	MATERIAL	FINISH
HOUSING CAP COUPLING NUT	STAINLESS STEEL PER ASTM-A-484 OR ASTM-A-582 TYPE 303	PASSIVATED PER ASTM-A-380
DIELECTRIC	PTFE FLUOROCARBON PER ASTM-D-1457	-
CENTER CONTACT	BERYLLIUM COPPER PER ASTM-B-194 ALLOY C17200, CONDITION H	GOLD PLATED PER ASTM-B-488
GASKET	SILICONE RUBBER PER ZZ-R-765	-
FERRULE	COPPER OR BRASS ALLOY, ROCKWELL F65 MAX	GOLD PLATED PER ASTM-B-488
RETAINING RING	BERYLLIUM COPPER PER ASTM-B-194 ALLOY C17200, CONDITION H	-



AS SHIPPED TO CUSTOMER

ENVIRONMENTAL

TEMPERATURE RATING: -65°C TO +165°C

VIBRATION: MIL-STD-202, METHOD 204, CONDITION D

SHOCK: MIL-STD-202, METHOD 213, CONDITION 1

MOISTURE RESISTANCE: MIL-STD-202, METHOD 106

CORROSION: MIL-STD-202, METHOD 101, CONDITION B. 5% SALT SPRAY

THERMAL SHOCK: MIL-STD-202, METHOD 107, CONDITION B EXCEPT HIGH TEMP 85°C

MECHANICAL

INTERFACE DIMENSIONS: MIL-STD-348A FIG. 310.1

RECOMMENDED MATING TORQUE: 7-10 IN-LBS

FORCE TO ENGAGE & DISENGAGE (IN-LBS MAX): 2.0

WEIGHT (GRAMS): TBD

MATING CHARACTERISTICS: INSERTION (MAX LBS) N/A
WITHDRAWAL (MIN OZ): N/A

CABLE RETENTION: AXIAL FORCE (LBS) 45 MIN
TORQUE (IN-OZ): N/A

CENTER CONTACT CAPTIVATION: AXIAL (LBS): 6.0
RADIAL (IN-OZ): N/A

ELECTRICAL

NORMAL IMPEDANCE (OHMS): 50

FREQUENCY RANGE (GHz): DC TO 12.4

VOLT RATING @ SEA LEVEL (VRMS MAX): 335

VSWR: 1.15+.02f(GHz)

INSERTION LOSS: (dB MAX): .06 √f(GHz)

RF LEAKAGE (dB MIN): -60 @ 2-3 GHz

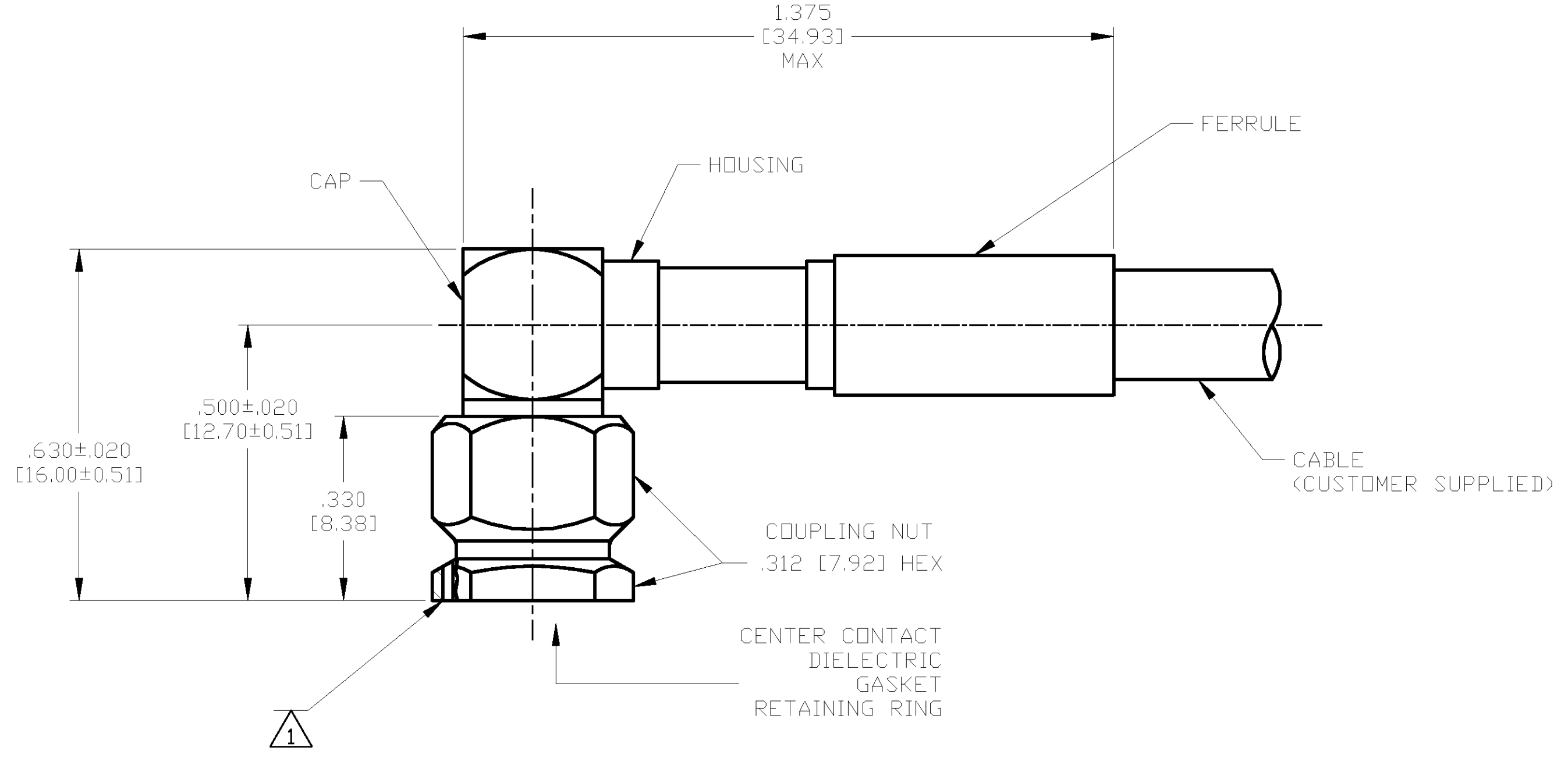
CORONA 70,000 FT (VRMS MIN): 250

DIELECTRIC WITHSTANDING VOLTAGE (VRMS MIN) AT SEA LEVEL: 1000

I.R. (MEGOHMS MIN): 5,000

RF HIGH POTENTIAL AT SEA LEVEL (VRMS MIN @ 5 MHz): 670

CONTACT RESISTANCE (MILLIOHMS MAX):
 CENTER CONTACT: 4.0
 OUTER CONTACT: 2.0
 CABLE TO HOUSING: 0.5



ASSEMBLED VIEW

1 ∅.018 [0.46] LOCKWIRE HOLE, 3 PLACES EQUALLY SPACED.

DESIGNED TO USE RG-142/U OR EQUIVALENT	CABLE ENTRY DIAMETER MIN
HOUSING: .122 [3.10]	CONTACT: .039 [0.99]
FERRULE: .216 [5.48]	

THIS DRAWING IS A CONTROLLED DOCUMENT.	
DIMENSIONS: INCHES [mm]	TOLERANCES UNLESS OTHERWISE SPECIFIED:
0 PLC ± -	1 PLC ± -
2 PLC ± -	3 PLC ± .005 [0.13]
4 PLC ± -	ANGLES ± -
MATERIAL: SEE TABLE	FINISH: SEE TABLE

DWN: J. KAISER 9/24/02	CHK: J. LIPPERT 11-20-02	APVD: J. LIPPERT 11-20-02	NAME: J. LIPPERT
tyco Electronics Tyco Electronics Corporation Harrisburg, PA 17105		SMA RIGHT ANGLE CABLE PLUG-CRIMP ATTACHMENT (M39012/56-3502) CAT D	
SIZE: A2	CAGE CODE: 00779	DRAWING NO: 1052178	RESTRICTED TO: -
CUSTOMER DRAWING		SCALE: 5:1	SHEET: 1 OF 1 REV: B

1052178

1052178-1
PART NO.