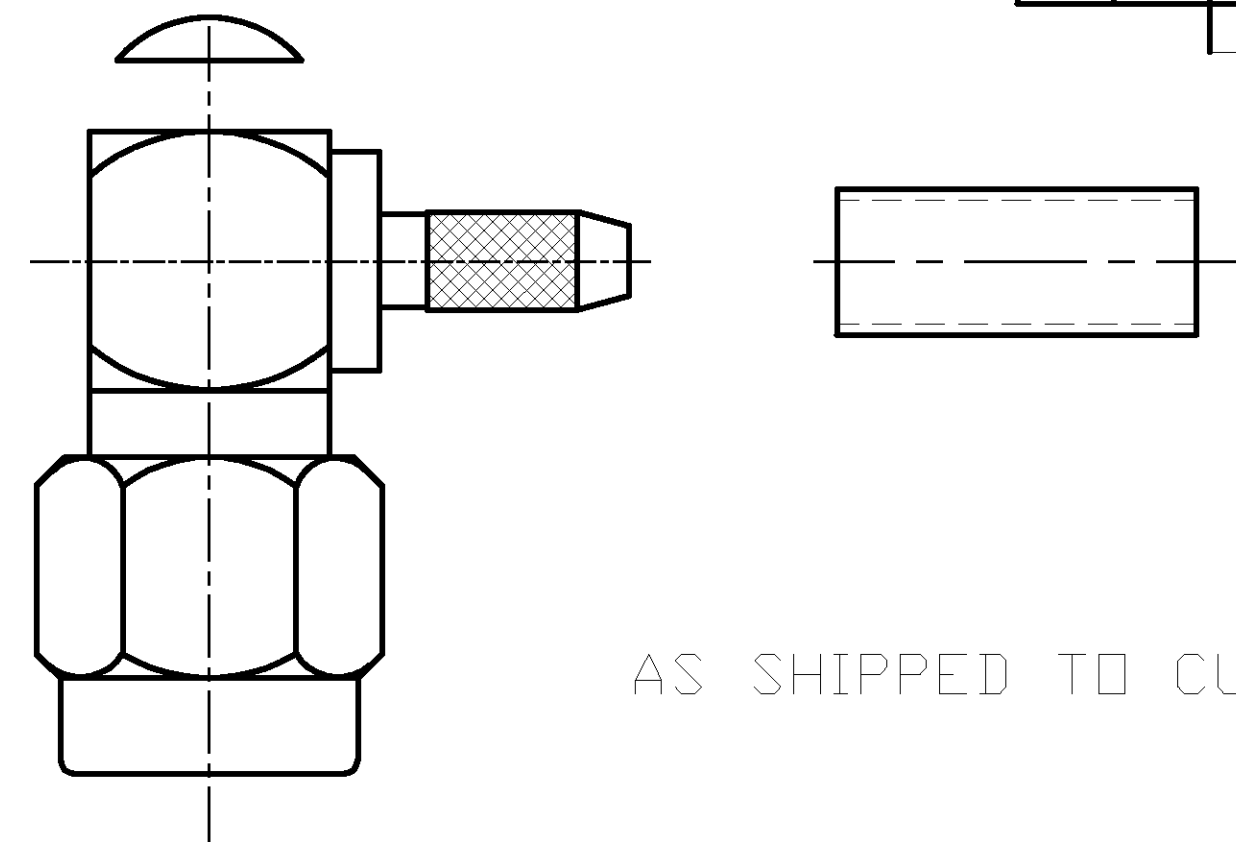


THIS DRAWING IS UNPUBLISHED. RELEASED FOR PUBLICATION N/A, N/A  
 © COPYRIGHT N/A BY TYCO ELECTRONICS CORPORATION. ALL RIGHTS RESERVED.

| LOC |     | DIST        |      | REVISIONS |      |  |  |
|-----|-----|-------------|------|-----------|------|--|--|
| P   | LTR | DESCRIPTION | DATE | DWN       | APVD |  |  |
| DF  | X0  |             |      |           |      |  |  |
|     | O   | RELEASED    | 9-02 | JMK       | JL   |  |  |

| COMPONENT                   | MATERIAL  | FINISH                        |
|-----------------------------|---|-------------------------------|
| HOUSING CAP<br>COUPLING NUT | STAINLESS STEEL PER<br>ASTM-A-484 OR ASTM-A-582<br>TYPE 303     | PASSIVATED PER<br>ASTM-A-380  |
| DIELECTRIC                  | PTFE FLUORCARBON<br>PER ASTM-D-1457                             | -                             |
| CENTER CONTACT              | BRASS PER ASTM-B-16<br>HALF HARD                                | GOLD PLATED PER<br>ASTM-B-488 |
| GASKET                      | SILICONE RUBBER<br>PER ZZ-R-765                                 | -                             |
| FERRULE                     | COPPER OR BRASS<br>ALLOY, ROCKWELL<br>F65 MAX                   | GOLD PLATED PER<br>ASTM-B-488 |
| RETAINING RING              | BERYLLIUM COPPER PER<br>ASTM-B-194<br>ALLOY C17200, CONDITION H | -                             |

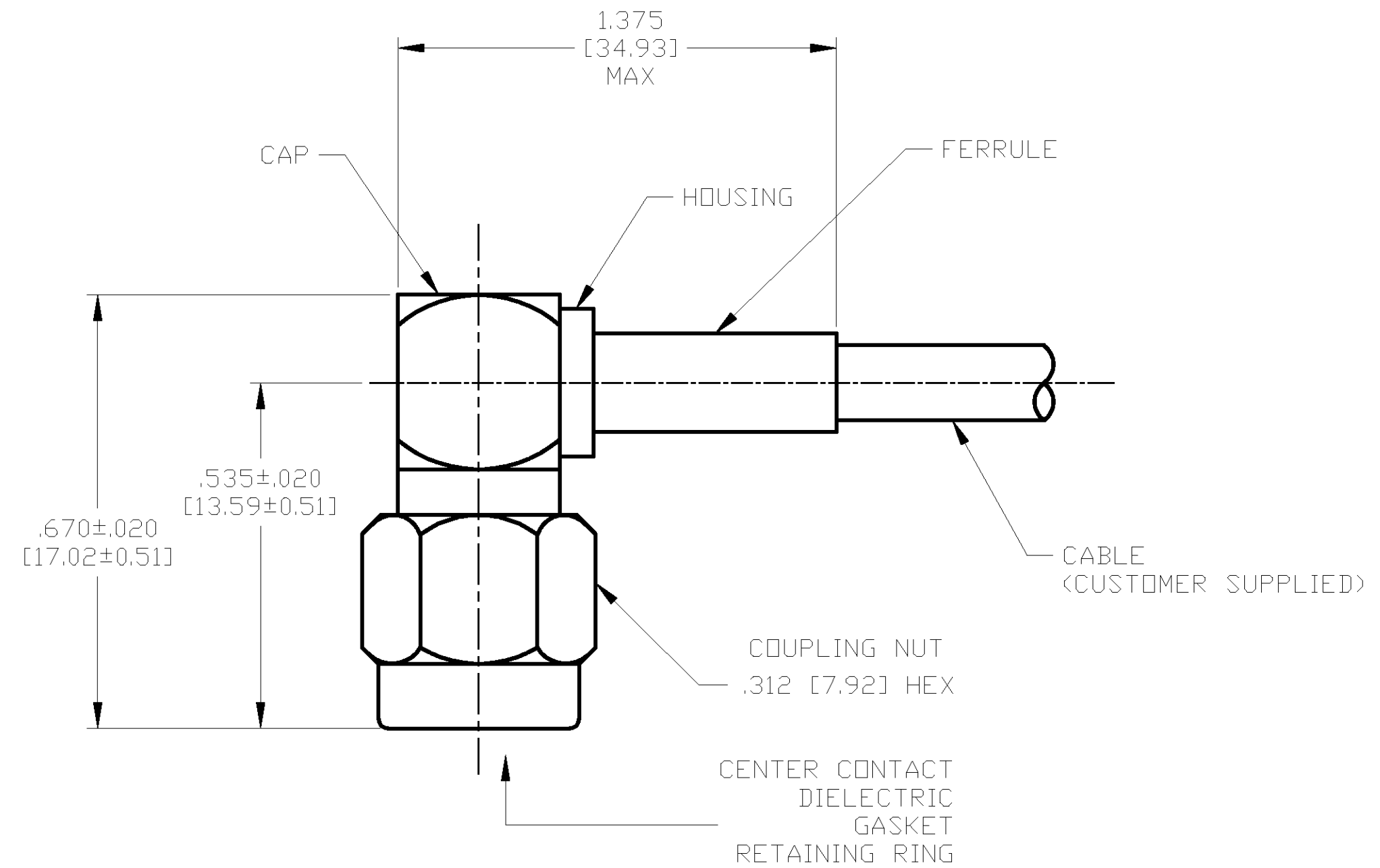


AS SHIPPED TO CUSTOMER

| ENVIRONMENTAL        |  |
|----------------------|--|
| TEMPERATURE RATING:  | -65°C TO +165°C  |
| VIBRATION:           | MIL-STD-202, METHOD 204, CONDITION D                       |
| SHOCK:               | MIL-STD-202, METHOD 213, CONDITION 1                       |
| MOISTURE RESISTANCE: | MIL-STD-202, METHOD 106                                    |
| CORROSION:           | MIL-STD-202, METHOD 101, CONDITION B. 5% SALT SPRAY        |
| THERMAL SHOCK:       | MIL-STD-202, METHOD 107, CONDITION B EXCEPT HIGH TEMP 85°C |

| MECHANICAL                                |  |
|---|--|
| INTERFACE DIMENSIONS:                     | MIL-STD-348A FIG. 310.1                              |
| RECOMMENDED MATING TORQUE:                | 7-10 IN-LBS  |
| FORCE TO ENGAGE & DISENGAGE (IN-LBS MAX): | 2.0  |
| WEIGHT (GRAMS):                           | TBD  |
| MATING CHARACTERISTICS:                   | INSERTION (MAX LBS): N/A<br>WITHDRAWAL (MIN OZ): N/A |
| CABLE RETENTION:                          | AXIAL FORCE (LBS): 20 MIN<br>TORQUE (IN-OZ): N/A     |
| CENTER CONTACT CAPTIVATION:               | AXIAL (LBS): 6.0<br>RADIAL (IN-OZ): N/A              |

| ELECTRICAL   |  |
|--|--|
| NORMAL IMPEDANCE (OHMS):                                 | 50   |
| FREQUENCY RANGE (GHz):                                   | DC TO 12.4   |
| VOLT RATING @ SEA LEVEL (VRMS MAX):                      | 250  |
| VSWR:  | 1.15+0.03f(GHz)  |
| INSERTION LOSS: (dB MAX):                                | .06 $\sqrt{f(\text{GHz})}$   |
| RF LEAKAGE (dB MIN):                                     | -60 @ 2-3 GHz  |
| CORONA 70,000 FT (VRMS MIN):                             | 190  |
| DIELECTRIC WITHSTANDING VOLTAGE (VRMS MIN) AT SEA LEVEL: | 750  |
| I.R. (MEGOHMS MIN):                                      | 5,000  |
| RF HIGH POTENTIAL AT SEA LEVEL (VRMS MIN @ 5 MHz):       | 500  |
| CONTACT RESISTANCE (MILLIOHMS MAX):                      | CENTER CONTACT: 4.0<br>OUTER CONTACT: 2.0<br>CABLE TO HOUSING: 0.5 |



ASSEMBLED VIEW

|  |                      |                           |                      |
|--|----------------------|---------------------------|----------------------|
| DESIGNED TO USE<br>RG-174/U OR EQUIVALENT<br>CABLE ENTRY<br>DIAMETER MIN | HOUSING: .063 [1.60] | CONTACT SLOT: .041 [1.04] | FERRULE: .125 [3.18] |
|--|----------------------|---------------------------|----------------------|

|  |                     |                                |
|--|---------------------|--------------------------------|
| THIS DRAWING IS A CONTROLLED DOCUMENT. |                     | DWN<br>J. KAISER<br>9/24/02    |
| DIMENSIONS:<br>INCHES [mm]             |                     | CHK<br>J. LIPPERT<br>10-18-02  |
| TOLERANCES UNLESS OTHERWISE SPECIFIED: |                     | APVD<br>J. LIPPERT<br>10-18-02 |
| 0 PLC ± -                              | 1 PLC ± -           | PRODUCT SPEC                   |
| 2 PLC ± -                              | 3 PLC ± .005 [0.13] | APPLICATION SPEC               |
| 4 PLC ± -                              | ANGLES ± -          | 408-4846                       |
| MATERIAL<br>SEE TABLE                  | FINISH<br>SEE TABLE | WEIGHT<br>TBD                  |

|  |  |  |                    |
|--|--|--|--------------------|
| 1052203-1<br>PART NO.  |  | Tyco Electronics Corporation<br>Harrisburg, PA 17105 |                    |
| SMA RIGHT ANGLE CABLE PLUG-CRIMP ATTACHMENT (M39012/56-3126) CAT C |  | SIZE<br>A2   | CAGE CODE<br>00779 |
| DRAWING NO.<br>1052203   |  | RESTRICTED TO  |                    |
| CUSTOMER DRAWING   |  | SCALE<br>5:1   | SHEET<br>1 OF 1    |