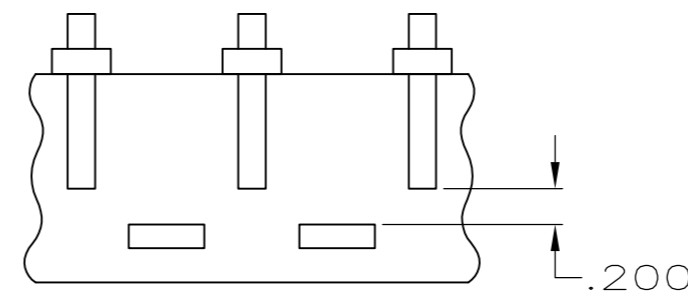
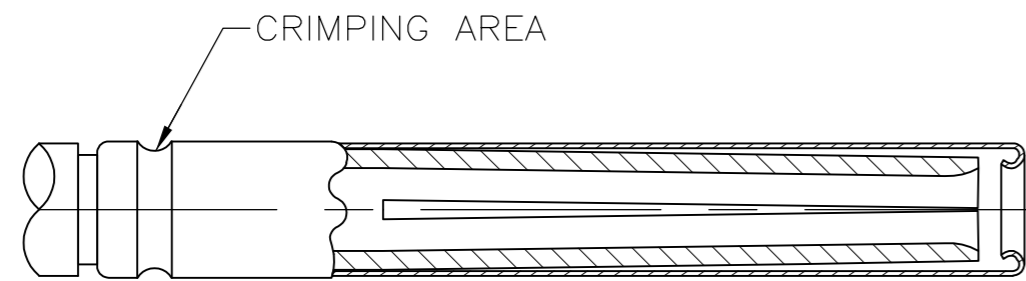


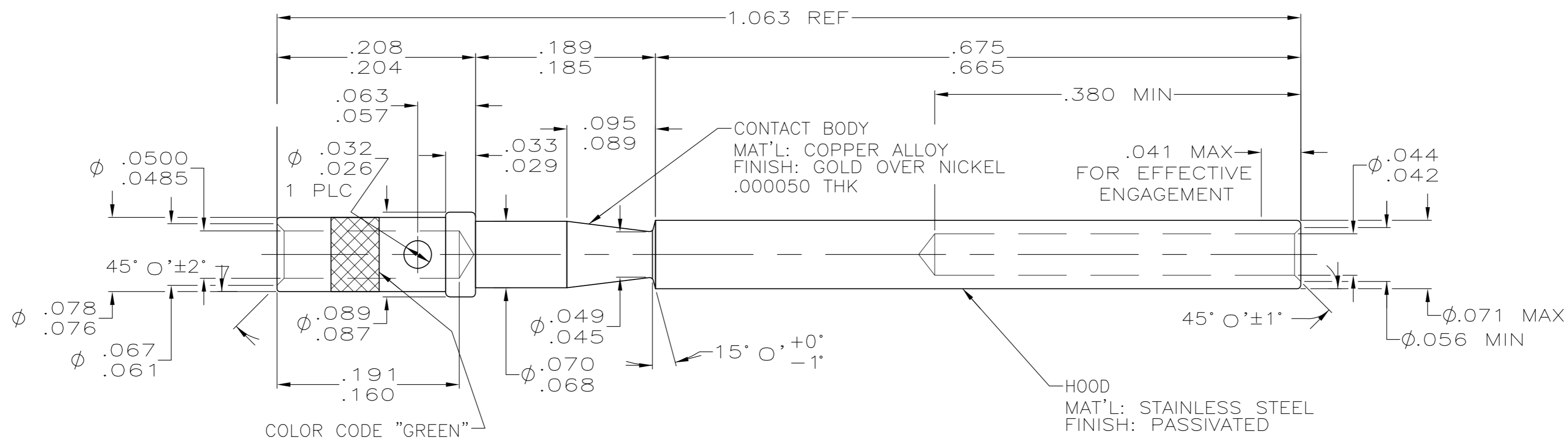
THIS DRAWING IS UNPUBLISHED. RELEASED FOR PUBLICATION
 © COPYRIGHT - By - ALL RIGHTS RESERVED.

| LOC | | DIST | | REVISIONS | | | |
|-----|-----|-----------------------|---------|-----------|------|--|--|
| P | LTR | DESCRIPTION | DATE | DWN | APVD | | |
| | N | REV PER ECO-11-021550 | 09NOV11 | PY | DE | | |



ALTERNATE HOOD VIEW

TAPE MT'D ASS'Y
203841-2 ONLY



1. WIRE RANGE: 20-24
2. DIMENSIONS APPLY AFTER PLATING.
3. CRIMPING OF HOOD ALLOWABLE AS AN ALTERNATE FORM OF RETENTION.

| | |
|--------------|-------------|
| TAPE MOUNTED | 203841-2 |
| LOOSE PIECE | 203841-1 |
| REMARKS | PART NUMBER |

| | | | | | | | | | | | | | | | | | | | | | | | | | | | |
|---|---|--------|-------------|---------|--------|--|-------|--------|-------|-----|---|-------|---|------|-------|---|---|--------|---|---|--------------|---|--|--|------|-----------|------------|
| THIS DRAWING IS A CONTROLLED DOCUMENT. | | DWN | C.C.THOMAS | 3-12-02 | | TE Connectivity | | | | | | | | | | | | | | | | | | | | | |
| DIMENSIONS: INCHES | | CHK | J.MARKEY | 3-12-02 | | NAME | | | | | | | | | | | | | | | | | | | | | |
| TOLERANCES UNLESS OTHERWISE SPECIFIED: | | APVD | J.MARKEY | 3-12-02 | | SOCKET CONTACT, #20 SUB SIZE CRIMP TYPE XV | | | | | | | | | | | | | | | | | | | | | |
| <table border="1"> <tr><td>0 PLC</td><td>±</td><td>-</td></tr> <tr><td>1 PLC</td><td>±</td><td>-</td></tr> <tr><td>2 PLC</td><td>±</td><td>-</td></tr> <tr><td>3 PLC</td><td>±</td><td>.005</td></tr> <tr><td>4 PLC</td><td>±</td><td>-</td></tr> <tr><td>ANGLES</td><td>±</td><td>-</td></tr> </table> | | 0 PLC | ± | - | | 1 PLC | ± | - | 2 PLC | ± | - | 3 PLC | ± | .005 | 4 PLC | ± | - | ANGLES | ± | - | PRODUCT SPEC | - | | | SIZE | CAGE CODE | DRAWING NO |
| 0 PLC | ± | - | | | | | | | | | | | | | | | | | | | | | | | | | |
| 1 PLC | ± | - | | | | | | | | | | | | | | | | | | | | | | | | | |
| 2 PLC | ± | - | | | | | | | | | | | | | | | | | | | | | | | | | |
| 3 PLC | ± | .005 | | | | | | | | | | | | | | | | | | | | | | | | | |
| 4 PLC | ± | - | | | | | | | | | | | | | | | | | | | | | | | | | |
| ANGLES | ± | - | | | | | | | | | | | | | | | | | | | | | | | | | |
| MATERIAL SEE CALLOUT | | FINISH | SEE CALLOUT | | WEIGHT | A2 00779 C-203841 | | SCALE | SHEET | REV | | | | | | | | | | | | | | | | | |
| CUSTOMER DRAWING | | | | | SCALE | 10:1 | SHEET | 1 of 1 | REV | N | | | | | | | | | | | | | | | | | |