

3M™ Textool™ Laser Diode Sockets



- Compact miniature socket size for maximum board density
- Accommodates most any TO package format with pin circle options of .079" (2.0 mm) or .100" (2.54 mm), including popular laser diode devices
- 3 and 4 lead options available
- Funneled entry holes to assist lead insertion

Date Modified: September 17, 2012

TS-0406-B
Sheet 1 of 3

Insulation

Material: Glass Filled Polysulfone

Flammability: UL 94V-0

Color: Green

Outer Contact:

Material: Copper Alloy

Inner Contact:

Material: Beryllium Copper

Plating: Outer Sleeve: SnPb Solder

Inner Contact: 30 μ" (0.76 μm) Gold over 50 μ" (1.3 μm) Nickel

Current Rating: 1 Amp

Insulation Resistance: > 1 x 10¹² Ω at 500 Vdc

Withstanding Voltage: 1000 Vrms at Sea Level

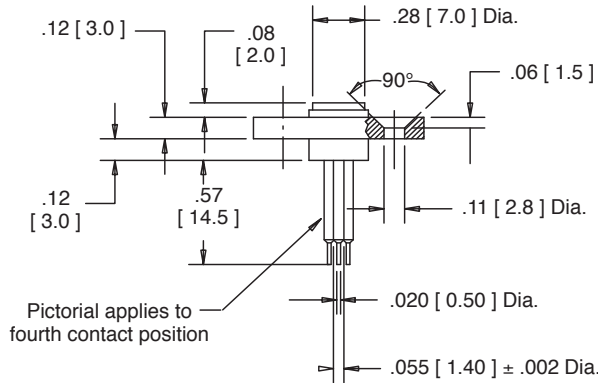
Temperature Rating: - 55°C to +125°C



Electronic Solutions Division
Interconnect Solutions
<http://www.3Mconnectors.com>

3M is a trademark of 3M Company.
For technical, sales or ordering information call
800-225-5373

3M™ Textool™ Laser Diode Sockets



204-6585-00-0602J

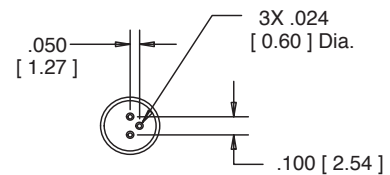


203-6585-00-0602J

	Tolerance $\frac{\text{inch}}{\text{mm}}$	
Dimension	.00 (.0)	.000 (.00)
Tolerance	±.010 (±.25)	±.005 (±.13)



204-6585-50-0602J



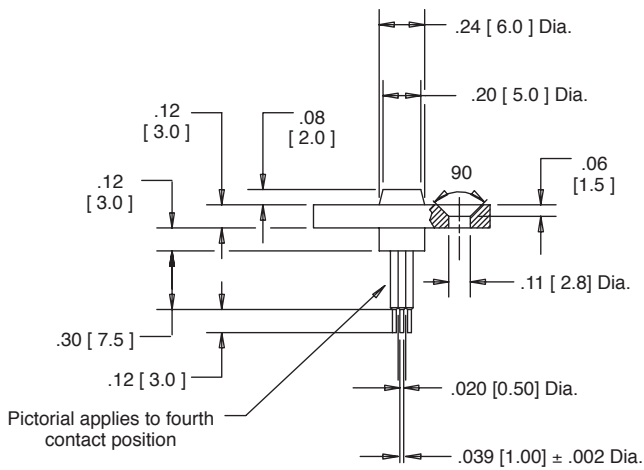
203-6585-50-0602J

Ordering Information

Socket Part Number	Contact Quantity	Pin Circle	Mounting Flange
203-6585-00-0602J	3	.100 [2.54]	Yes
203-6585-50-0602J			No
203-6970-00-0602J		.079 [2.0]	Yes
203-6970-50-0602J			No
204-6585-00-0602J	4	.100 [2.54]	Yes
204-6585-50-0602J			No
204-6970-00-0602J		.079 [2.0]	Yes
204-6970-50-0602J			No

TS-0406-B
Sheet 2 of 3

3M™ Textool™ Laser Diode Sockets



204-6970-00-0602J



Dimension	Tolerance $\frac{\text{inch}}{\text{mm}}$	
	.00 (.0)	.000 (.00)
Tolerance	±.010 (±.25)	±.005 (±.13)



204-6970-50-0602J



203-6970-50-0602J