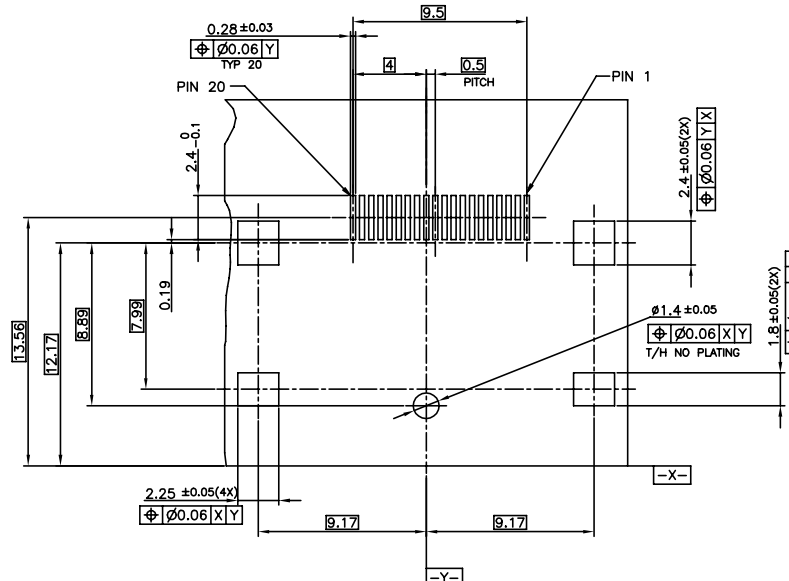
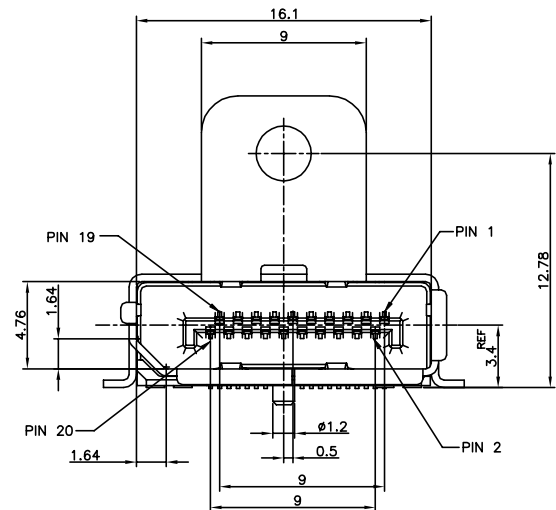
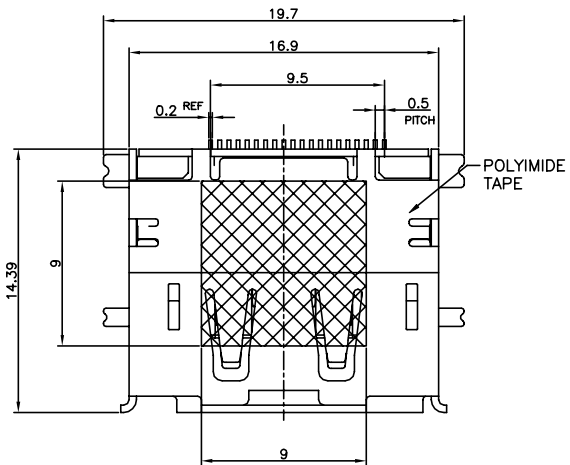


REVISIONS				
P	LTN	DESCRIPTION	DATE	APPD
E		REVISED PER ECO-21-005727	25MAY2021	AK SZ



RECOMMENDED PCB LAYOUT MOUNTING SIDE

FULL R TYP

(INCLUDE ALL CONTACTS AND SHELL'S SOLDER PEGS) - BEFORE REFLOW

(INCLUDE ALL CONTACTS AND SHELL'S SOLDER PEGS) - AFTER REFLOW

- △ MATERIAL:
HOUSING: HIGH TEMPERATURE THERMAL PLASTIC, BLACK, UL94V-0
CONTACT: COPPER ALLOY
SHELL: COPPER ALLOY
- △ FINISH:
CONTACT: CONTACT AREA: 0.76 MINIMUM MICRON GOLD PLATING OVER
1.27 MINIMUM MICRON NICKEL PLATING ALL
SOLDER TAIL AREA: 2.54 MINIMUM MICRON MATTE TIN PLATING.
SHELL: MATTE TIN PLATING.

- 3 THIS PRODUCT IS PACKED IN REEL.
- 4 HALOGEN FREE.

OBSELETE	WITH	5-2040247-5
	WITHOUT	2040247-5
	POLYIMIDE TAPE	PART NUMBER

THIS DRAWING IS A CONTROLLED DOCUMENT.		DRN Y.HIRATA 15FEB2008	TE Connectivity Ltd.
DIMENSIONS: 公差: 萬 mm		CHK T.KUSUHARA 15FEB2008	
TOLERANCES UNLESS OTHERWISE SPECIFIED: 公差 萬 mm		APPD T.KUSUHARA 15FEB2008	NAME 名稱
0 PLC ± 0.3 1 PLC ± 0.3 2 PLC ± 0.3 3 PLC ± 0.3 4 PLC ± 0.3 ANGLES ± 2°		PRODUCT SPEC 製品規格 108-78515	RECEPTACLE ASSEMBLY DISPLAYPORT RA SMT STD SMT-LEG WITH FLANGE
MATERIAL 材料		WEIGHT 2.82g	SIZE A2
FINISH 仕上		CAGE CODE 00779	DRAWING NO C=2040247
		CUSTOMER DRAWING	RESTRICTED TO
		SCALE 尺度 5:1	SHEET 1 of 3
			REV E

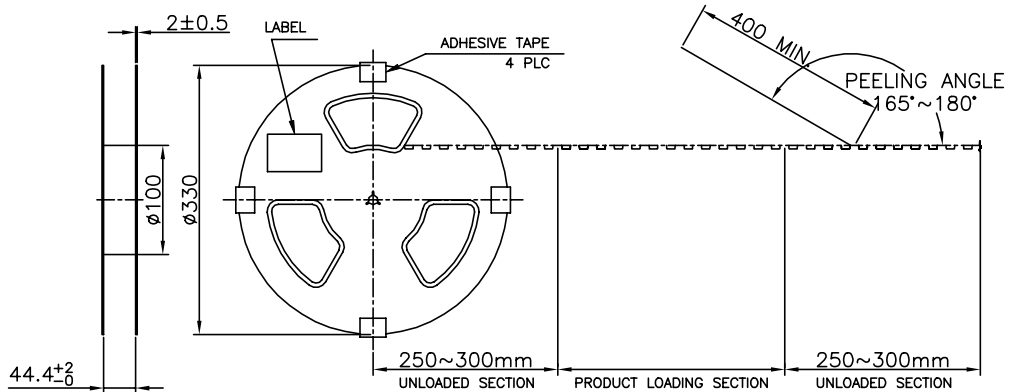
4

3

2

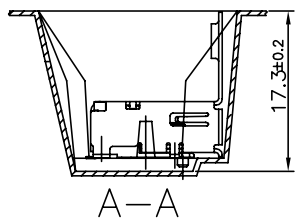
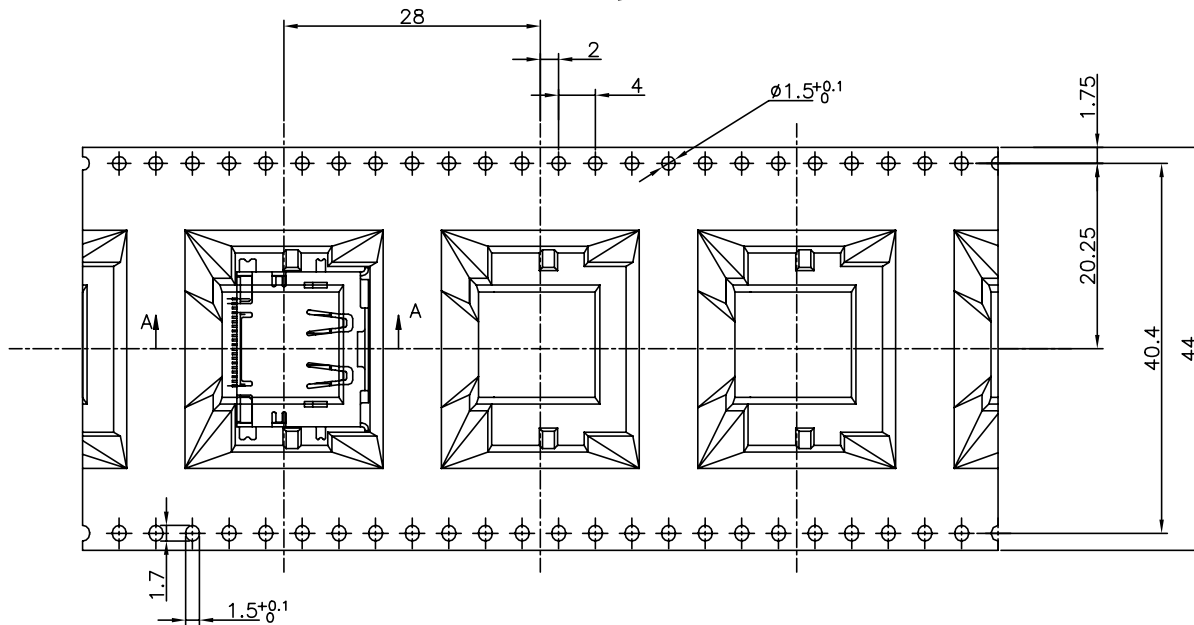
1

REVISIONS					
P	LTR	DESCRIPTION	DATE	DWN	APVD
-	-	SEE SHEET 1	-	-	-



PACKING FOR 2040247-5

PULL OUT DIRECTION



THIS DRAWING IS A CONTROLLED DOCUMENT.		DWN	TE Connectivity Ltd.		
DIMENSIONS: 单位: 毫米		CHK			
TOLERANCES UNLESS OTHERWISE SPECIFIED: 公差		APVD	NAME 名称		
0 PLC ± 0.3		PRODUCT SPEC 製品規格	RECEPTACLE ASSEMBLY		
1 PLC ± 0.3		APPLICATION SPEC 零件適用規格	DISPLAYPORT RA SMT STD		
2 PLC ± 0.3		FINISH 仕上	SIZE A2	CAGE CODE 00779	DRAWING NO. 2040247
3 PLC ± 0.3			RESTRICTED TO		
4 PLC ± 0.3			CUSTOMER DRAWING		
ANGLES ± 2°		WEIGHT	SCALE 尺数 NTS	SHEET 2 of 3	REV E

2040247