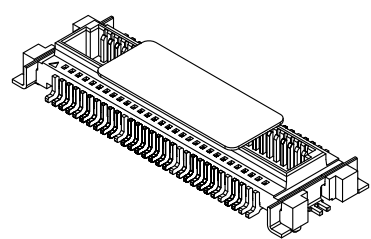
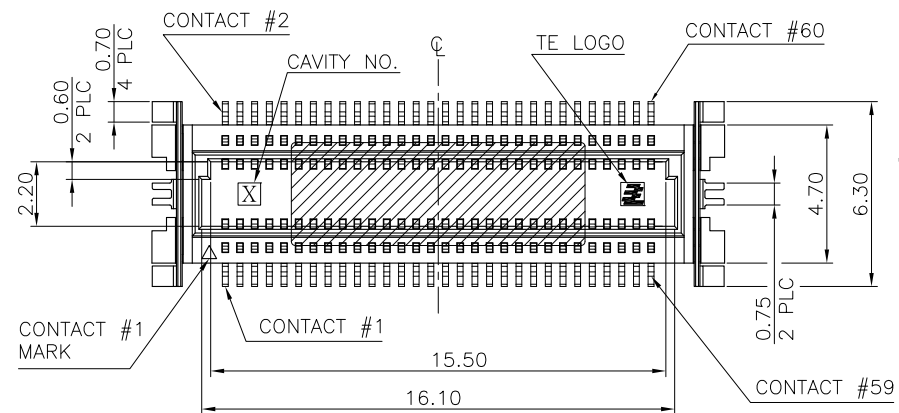


THIS DRAWING IS UNPUBLISHED. RELEASED FOR PUBLICATION
 © COPYRIGHT 2010 BY TYCO ELECTRONICS CORPORATION. ALL RIGHTS RESERVED.

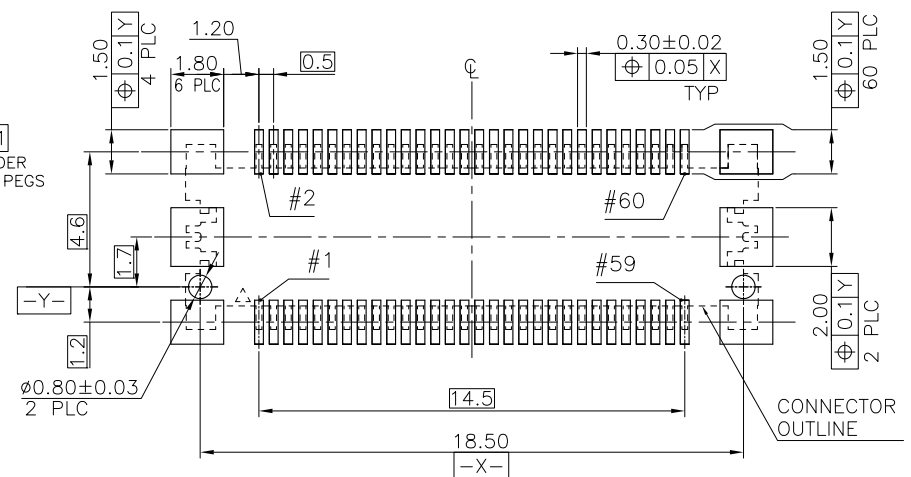
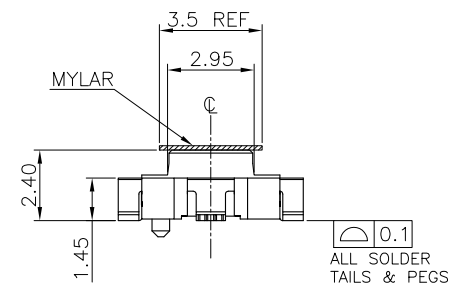
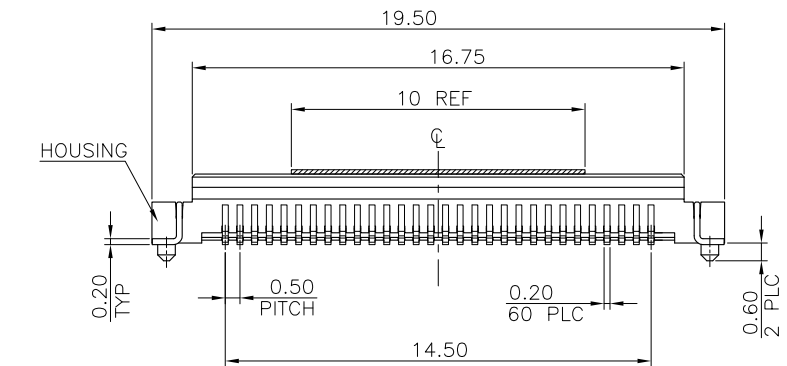
| LOC | | DIST | | REVISIONS | | | | | |
|-----|--|------|--|-----------|-----|---------------|---------|-----|------|
| DW | | - | | P | LTR | DESCRIPTION | DATE | DWN | APVD |
| | | | | B | | ECR-13-001067 | 18JAN13 | AW | WK |



NOTES:

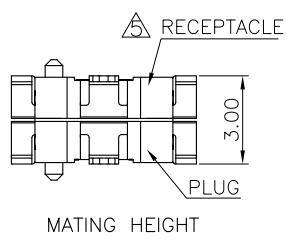
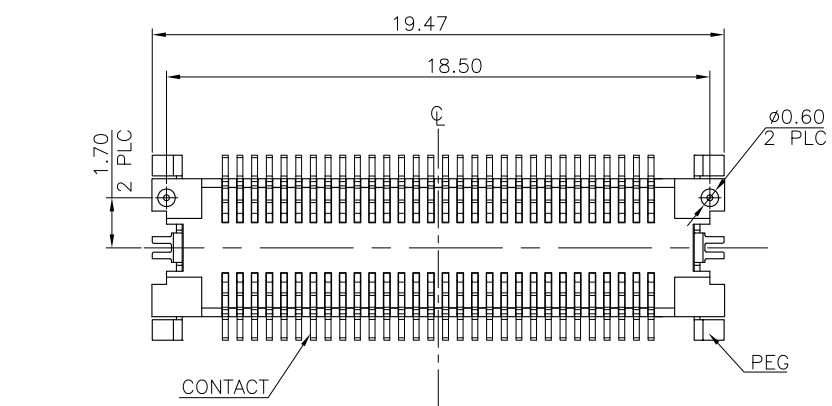
- MATERIAL:
 HOUSING: LCP WITH 35% GF, UL94 V-0, NATURAL COLOR.
 CONTACTS: PHOSPHOR BRONZE.
 PEGS: BRASS.
 MYLAR: POLYSTYRENES, ORANGE COLOR.
- FINISH:
 CONTACTS: 0.0254µm [1µ"] MIN. GOLD PLATED OVER 1.27µm [50µ"] MIN. NICKEL ON ENTIRE CONTACT.
 PEGS: 3.05µm [120µ"] MIN. MATTE-TIN OVER 1.27µm [50µ"] MIN. NICKEL.
- REFLOW SOLDER CAPABLE TO 260°C PER TEC-109-201, CONDITION B.
- SUBSTANCE RESTRICTIONS FOR LOW HALOGEN (BY WEIGHT):
 BROMINE (Br) ≤ 900 PPM (0.09%)
 CHLORINE (Cl) ≤ 900 PPM (0.09%)
 TOTAL CONCENTRATION OF CHLORINE (Cl) + BROMINE (Br) ≤ 1500 PPM (0.15%)

⚠ MATING RECEPTACLE PART NUMBER: 2041315-1.



TOLERANCE: ±0.05
 RECOMMENDED PCB LAYOUT
 (TOP VIEW)

2041314-1
 PART NUMBER

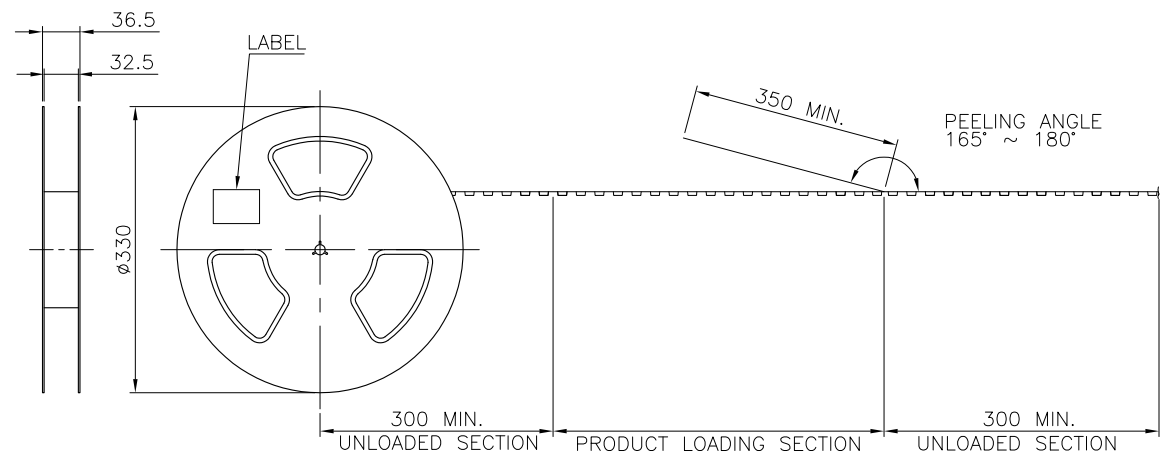


| | | | | |
|--|----------|------------------|------------|---------------|
| THIS DRAWING IS A CONTROLLED DOCUMENT. | | DWN | A. WU | 02NOV2010 |
| DIMENSIONS: MM | | CHK | S. CHIEN | 02NOV2010 |
| TOLERANCES UNLESS OTHERWISE SPECIFIED: | | APVD | W. KODAMA | 02NOV2010 |
| 0 PLC | ±0.5 | NAME | | |
| 1 PLC | ±0.3 | 108-57849 | | |
| 2 PLC | ±0.2 | APPLICATION SPEC | | |
| 3 PLC | ±0.15 | - | | |
| 4 PLC | ±0.1 | SIZE | A3 | CAGE CODE |
| ANGLES | ± 3' | WEIGHT | 0.35 GRAMS | DRAWING NO |
| MATERIAL | SEE NOTE | FINISH | SEE NOTE | RESTRICTED TO |
| | | CUSTOMER DRAWING | SCALE | SHEET |
| | | | | 1 of 2 |
| | | | | REV B |

| | |
|--|-----------------|
| TE Connectivity | |
| 0.5 PITCH BOARD-TO-BOARD CONNECTOR, SMT, 60 POSITION, PLUG | |
| SIZE A3 | CAGE CODE 00779 |
| DRAWING NO C-2041314 | RESTRICTED TO - |
| SHEET 1 of 2 | REV B |

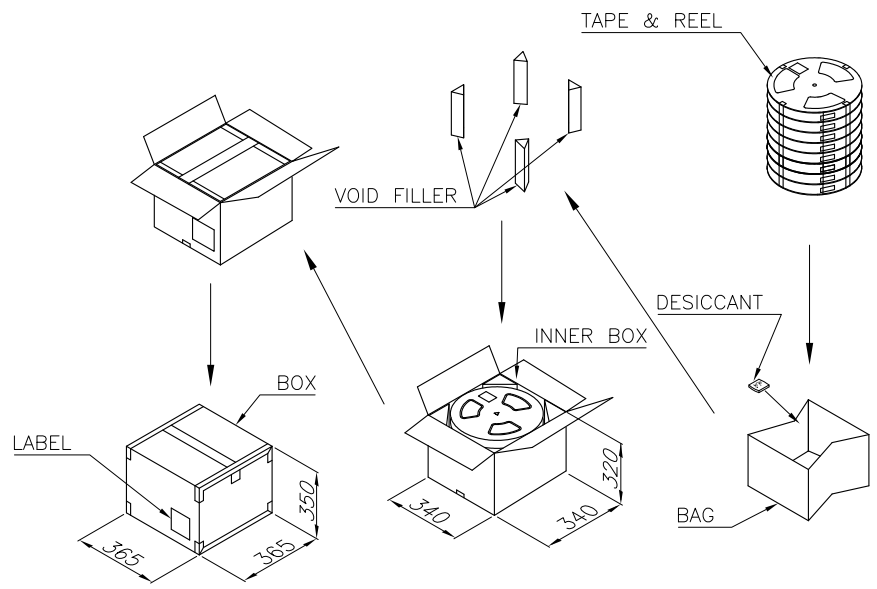
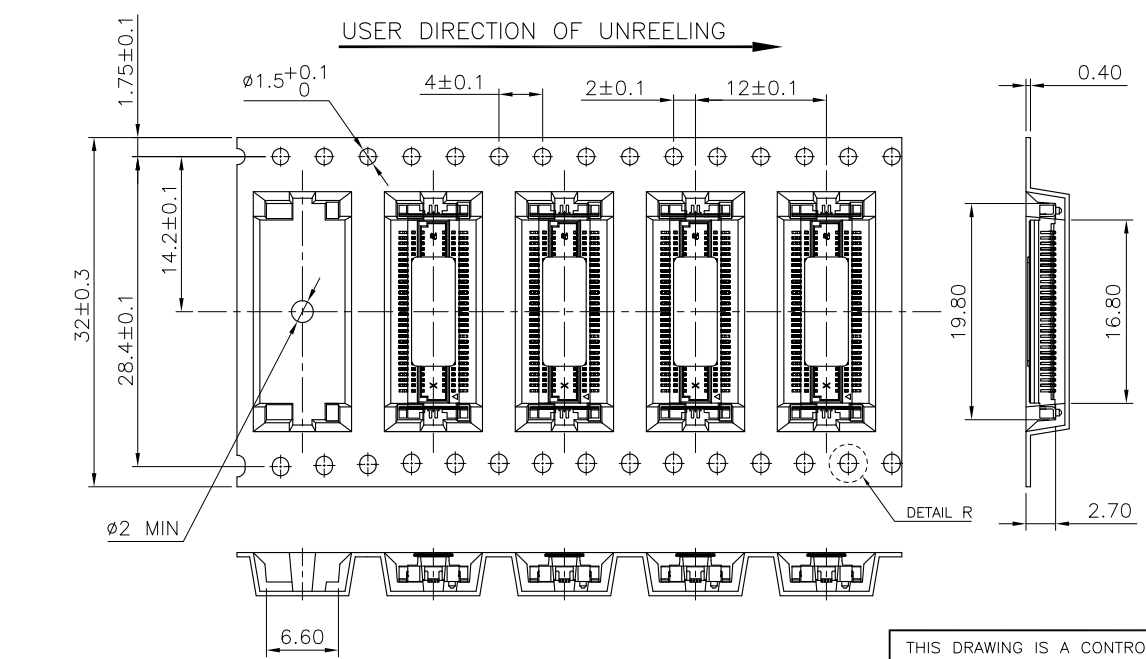
THIS DRAWING IS UNPUBLISHED. RELEASED FOR PUBLICATION
 © COPYRIGHT 2010 BY TYCO ELECTRONICS CORPORATION. ALL RIGHTS RESERVED.

| LOC | DIST | REVISIONS | | | | | |
|-----|------|-----------|-----|--------------|------|-----|------|
| DW | - | P | LTR | DESCRIPTION | DATE | DWN | APVD |
| | | | | SEE SHEET 1. | | | |

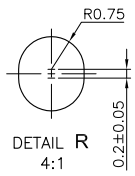


NOTES:

- MATERIAL:
 BOX: FIBREBOARD, CORRUGATED, DOUBLE WALL.
 COVER TAPE: PET, TRANSPARENT COLOR.
 CARRIER TAPE: POLYSTYRENES, TRANSPARENT COLOR.
 REEL: HIPS, BLUE COLOR.
 BAG: POLYETHYLENES, TRANSPARENT COLOR.
- EACH BAG SHALL BE INCLUDED DESICCANT.
- PEELING STRENGTH: 0.1 ~ 1.3 N (10 ~ 130 GRAMS).
- PEELING SPEED: 300 mm/min.



| | | | | |
|----------|-----------|-----------|--------------|------------|
| 1500 | 8 | 12000 PCS | 8.80 KG | 4.20 KG |
| PCS/TAPE | REELS/BOX | QUANTITY | GROSS WEIGHT | NET WEIGHT |



THIS DRAWING IS A CONTROLLED DOCUMENT.

| | | | |
|-----------------|--|---------------------------|---|
| DIMENSIONS: MM | TOLERANCES UNLESS OTHERWISE SPECIFIED: | DWN: A. WU 02NOV2010 | STE TE Connectivity |
| | | CHK: S. CHIEN 02NOV2010 | |
| | | APVD: W. KODAMA 02NOV2010 | |
| | | NAME: _____ | |
| | | PRODUCT SPEC: _____ | 0.5 PITCH BOARD-TO-BOARD CONNECTOR, SMT, 60 POSITION, PLUG |
| | | APPLICATION SPEC: _____ | |
| MATERIAL: _____ | FINISH: _____ | WEIGHT: _____ | RESTRICTED TO: _____ |
| | | SIZE: A3 | CAGE CODE: 00779 |
| | | DRAWING NO: C=2041314 | |
| | | SCALE: - | SHEET: 2 of 2 |
| | | REV: B | |

CUSTOMER DRAWING