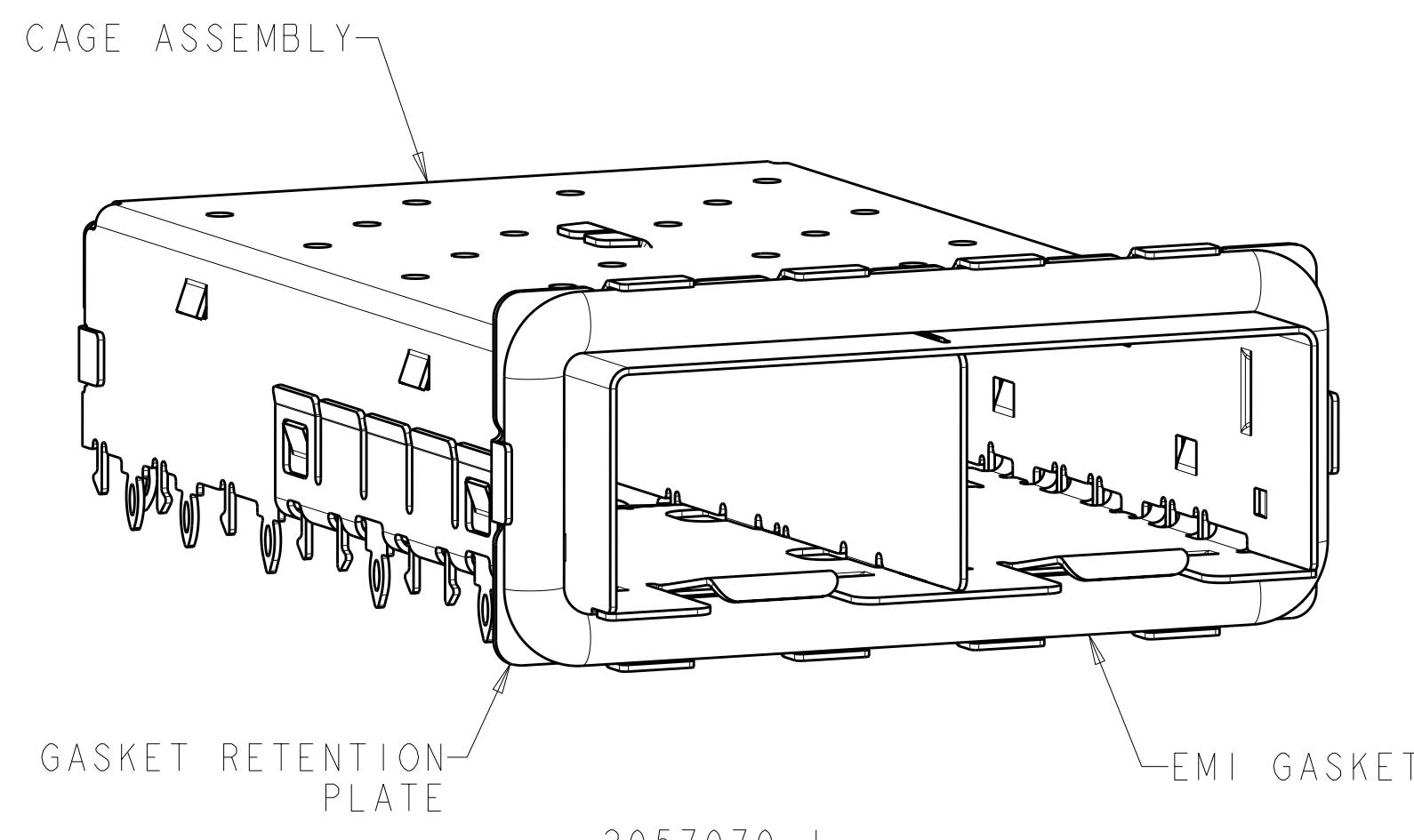
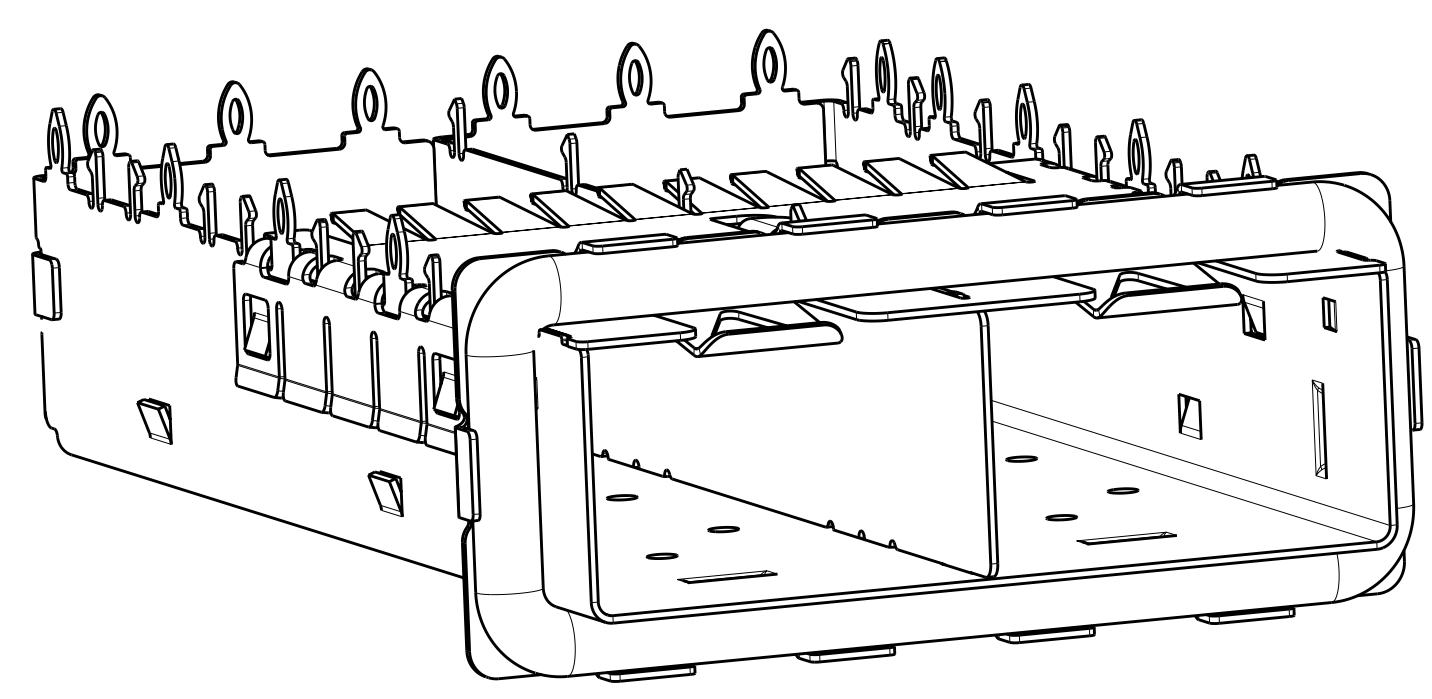


LOC	DIST	REV	DESCRIPTION	DATE	OWN	APPD
GP	00	A	RELEASED PER ECO-10-025263	17FEB2011	CJV	JTL

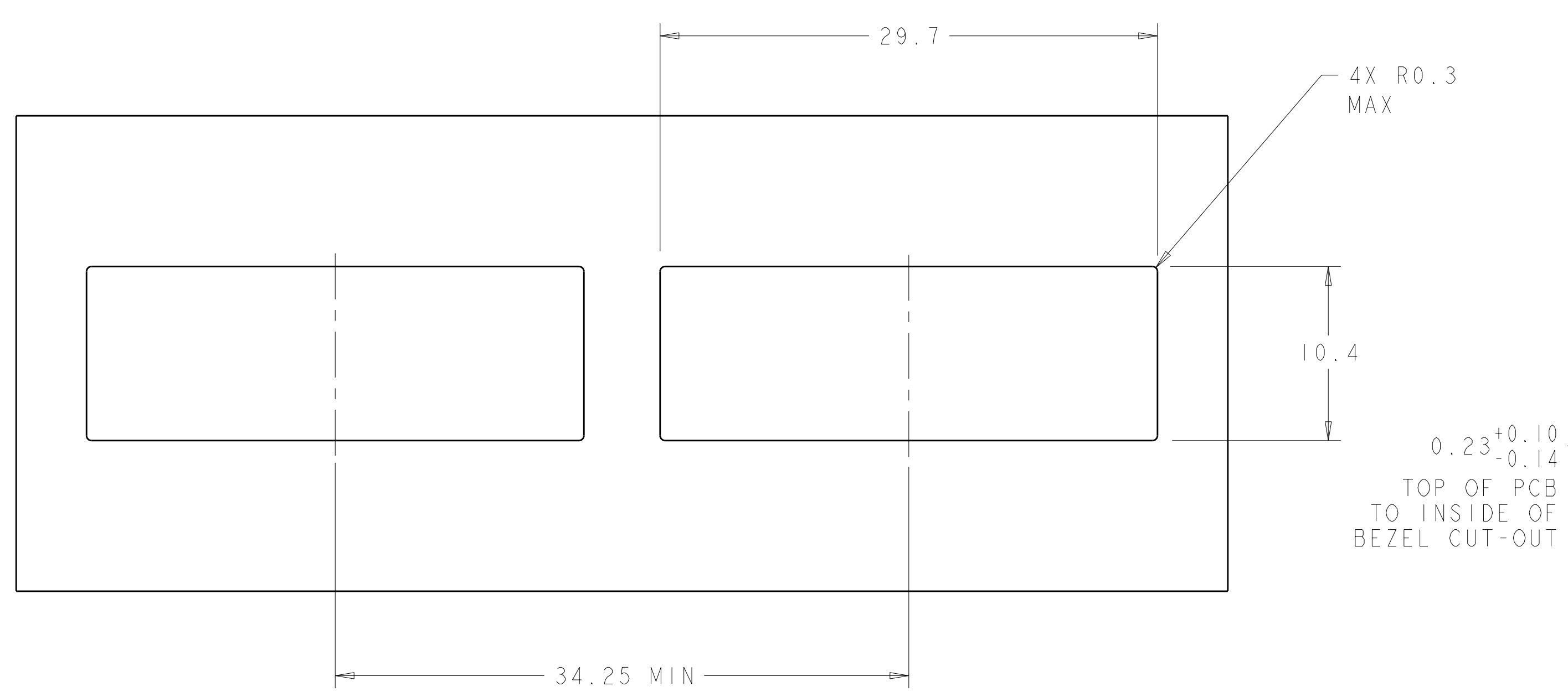
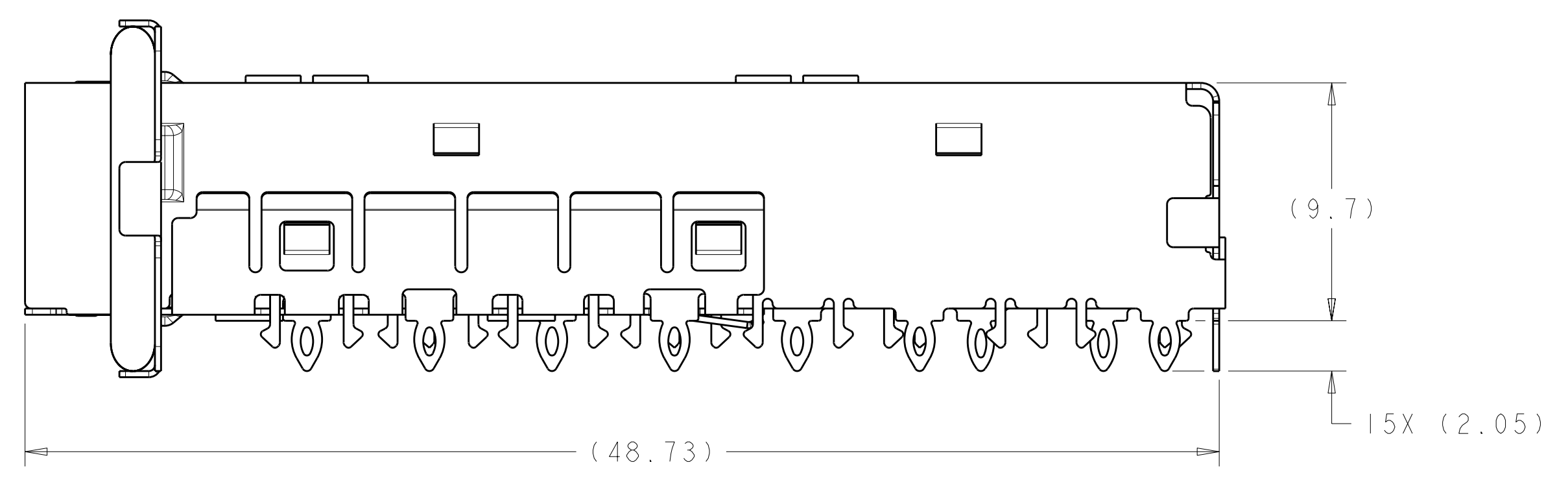
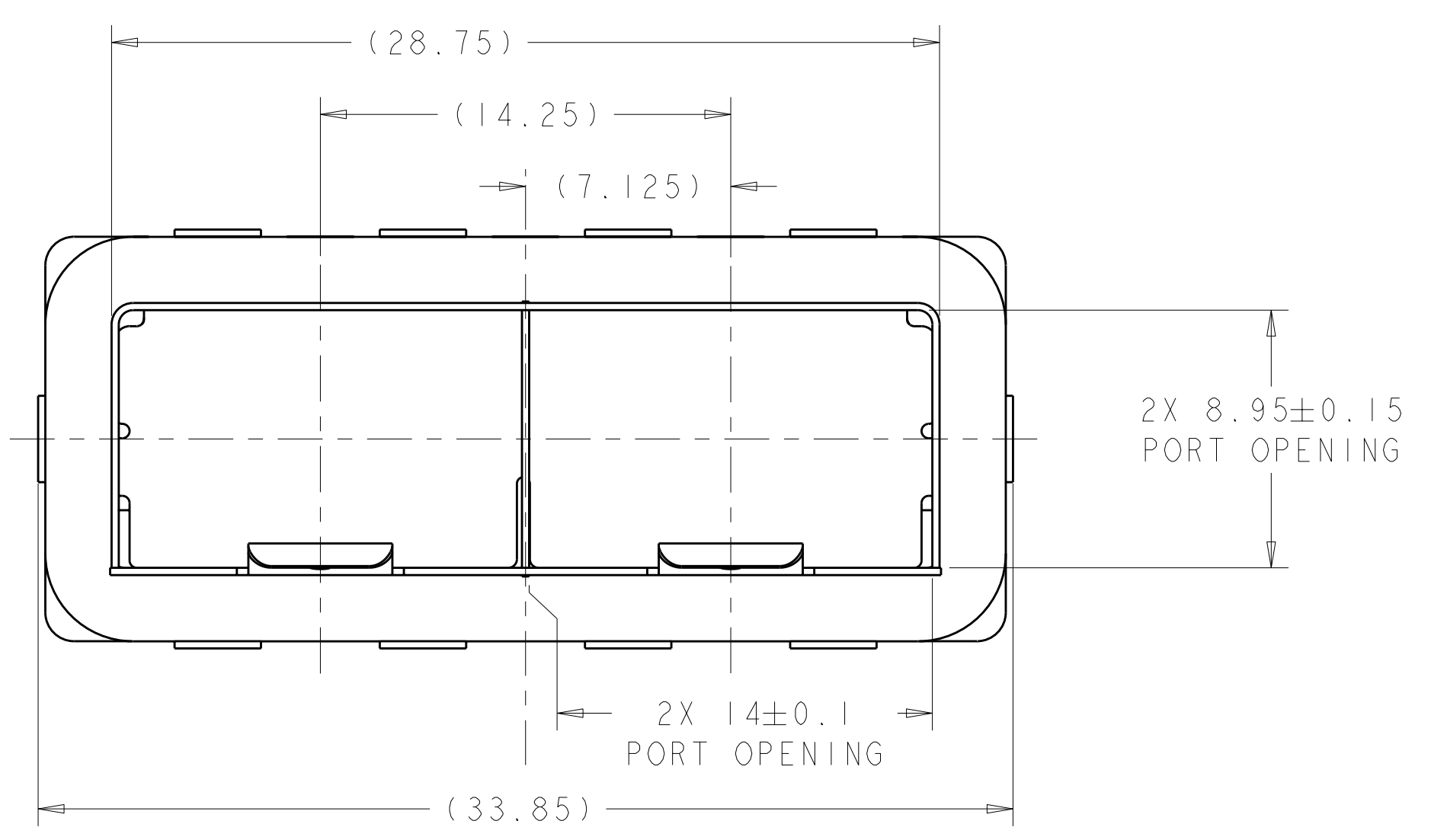


2057070-1
 SCALE 4:1

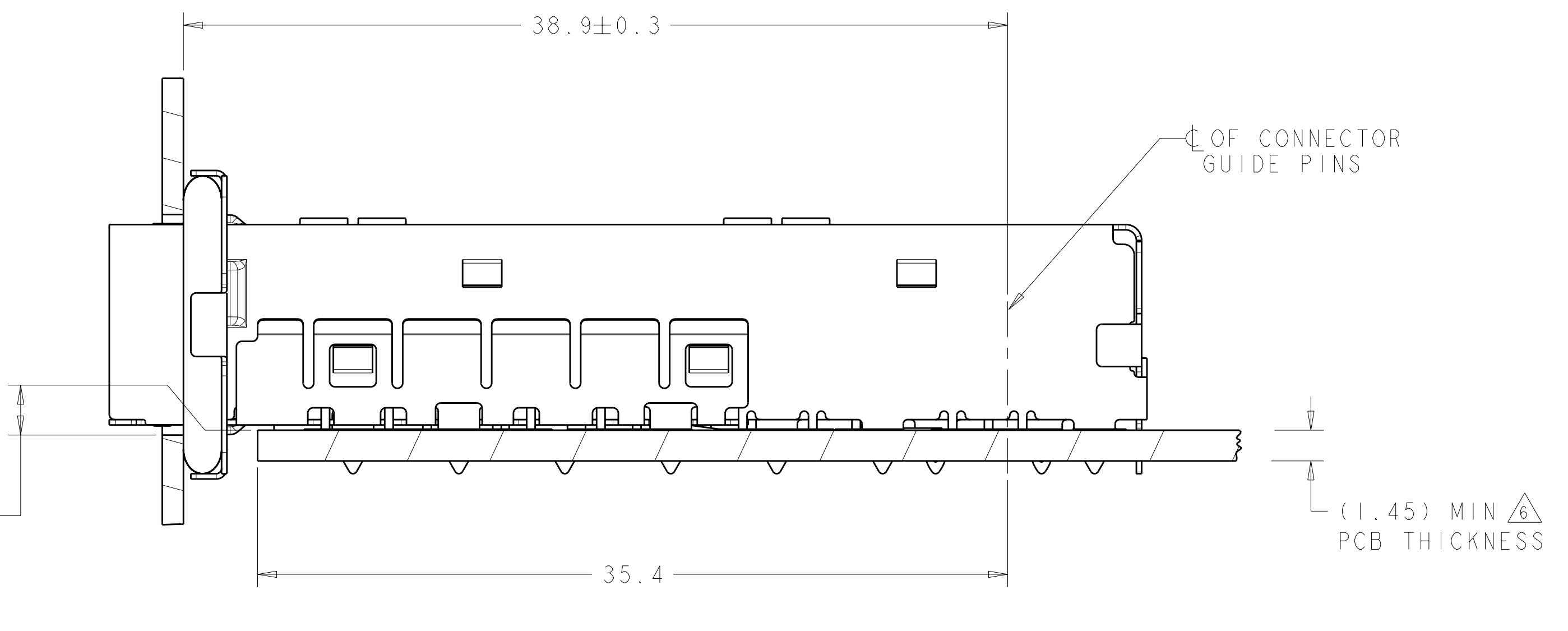


ISOMETRIC BOTTOM VIEW
 SCALE 4:1

- △ MATERIAL:
 CAGE ASSEMBLY: NICKEL SILVER ALLOY, 0.25mm THK.
 GASKET RETENTION PLATE: STAINLESS STEEL
 EMI GASKET: PLATED FILLED SILICONE
- △ DATUM AND BASIC DIMENSION ESTABLISHED BY CUSTOMER.
- 3. MATES WITH SFP MSA COMPLIANT TRANSCEIVERS.
- △ PADS AND VIAS CHASSIS GROUND.
- 5. INTERPRETATION OF DATUM REFERENCE FRAME IN ACCORDANCE WITH SECT 4.4.1.1 OF ASME Y14.5M-1994.
- △ MINIMUM PC BOARD THICKNESS:
 SINGLE SIDED = 1.45mm
- △ HOLE PATTERN REPEATS FOR EACH PORT, SPACING BETWEEN PORTS IS 14.25mm.
- △ REFERENCE APPLICATION SPEC. 114-13120, HOLE A, FOR RECOMMENDED DRILL HOLE DIAMETER AND PLATING THICKNESS.
- △ REFERENCE APPLICATION SPEC. 114-13120, HOLE B, FOR RECOMMENDED DRILL HOLE DIAMETER AND PLATING THICKNESS.



RECOMMENDED BEZEL CUT-OUT
 SCALE 4:1

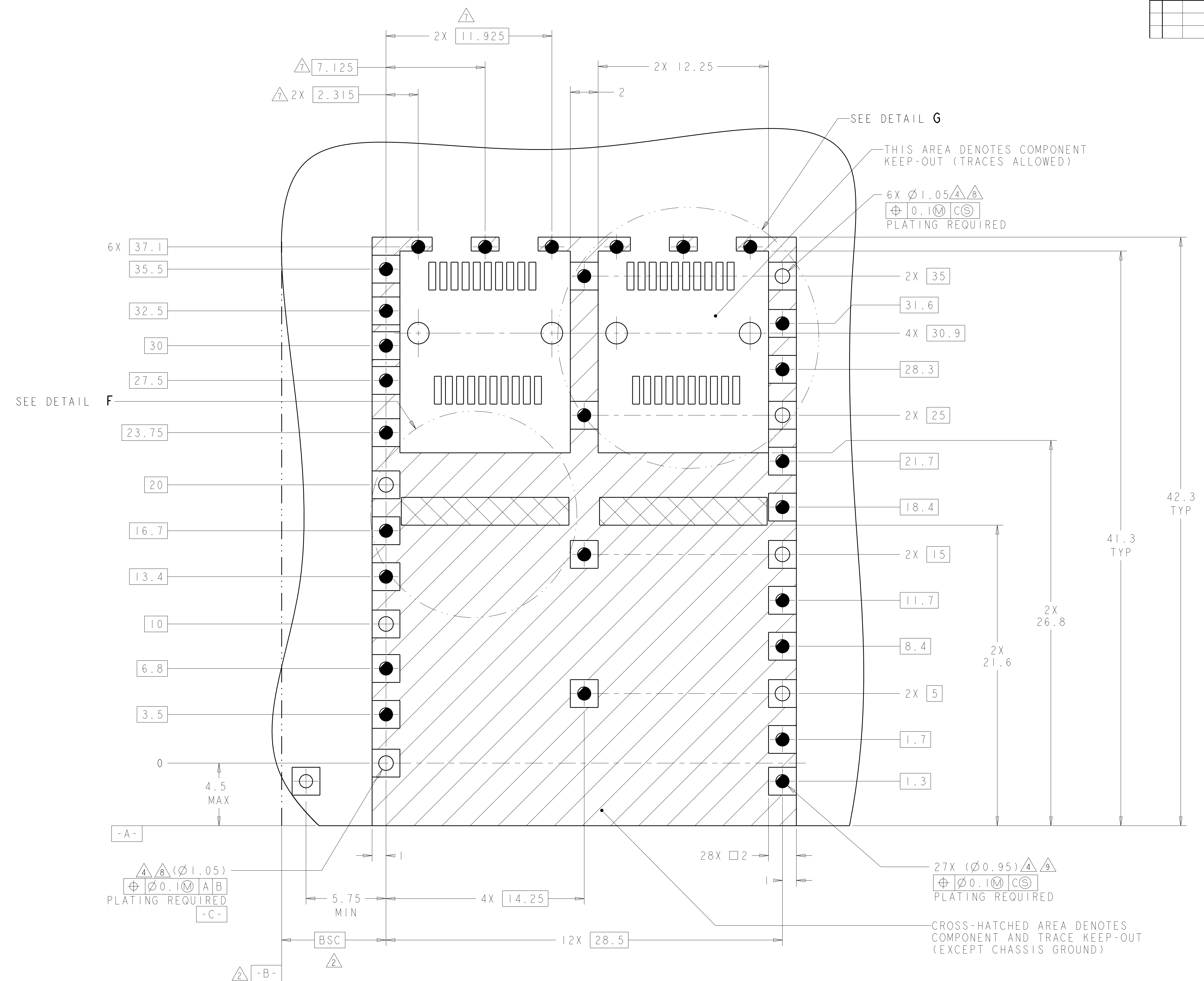


2057070-1
 MOUNTED ON PCB, SHOWN THRU RECOMMENDED BEZEL

2057070-1
 PART NUMBER

DIMENSIONS: mm 		TOLERANCES UNLESS OTHERWISE SPECIFIED: 9 PLC ±0.13 1 PLC ±0.1 2 PLC ±0.08 3 PLC ±0.05 4 PLC ±0.05 ANGLES ±1°		DWN Z.M. REAM 12MAY2008 CHK M.R. SCHMITT 12MAY2008 APVD R.H. WERTZ 12MAY2008		Tyco Electronics Harrisburg, PA 17105-3608	
MATERIAL △ FINISH -		PRODUCT SPEC 108-2364 APPLICATION SPEC 114-13120 WEIGHT -		NAME SFP+ ENHANCED, 1X2 CAGE ASSEMBLY, PRESS FIT, EMI GASKET SIZE CAGE CODE DRAWING NO RESTRICTED TO A 00779 C-2057070 -		CUSTOMER DRAWING SCALE 2:1 SHEET 1 OF 3 REV A	

LOC	DIST	REVISIONS			
GP	00	REV	DATE	BY	APPD
		1	SEE SHEET 1		



RECOMMENDED PCB CONFIGURATION
 W/ KEEP-OUT AREAS
 SINGLE SIDED APPLICATIONS
 SCALE 7:1

DIMENSIONS:		TOLERANCES UNLESS OTHERWISE SPECIFIED:		DWN		Tyco Electronics	
mm	9 PLC	±0.13	12MAY2008	Z. M. BEAM	Tyco Electronics Harrisburg, PA 17105-3608		
	1 PLC	±0.1	12MAY2008	M. R. SCHMITT	NAME: SFP+ ENHANCED, 1X2 CAGE ASSEMBLY, PRESS FIT, EMI GASKET		
	2 PLC	±0.08		P. H. WERTZ	SIZE: CAGE CODE: DRAWING NO: RESTRICTED TO		
	3 PLC	±0.05			A11 00779 C=2057070		
	4 PLC	±0.05			SCALE: 2:1 SHEET 2 OF 3 REV A		
	ANGLES	±1°			CUSTOMER DRAWING		
MATERIAL:	FINISH:						