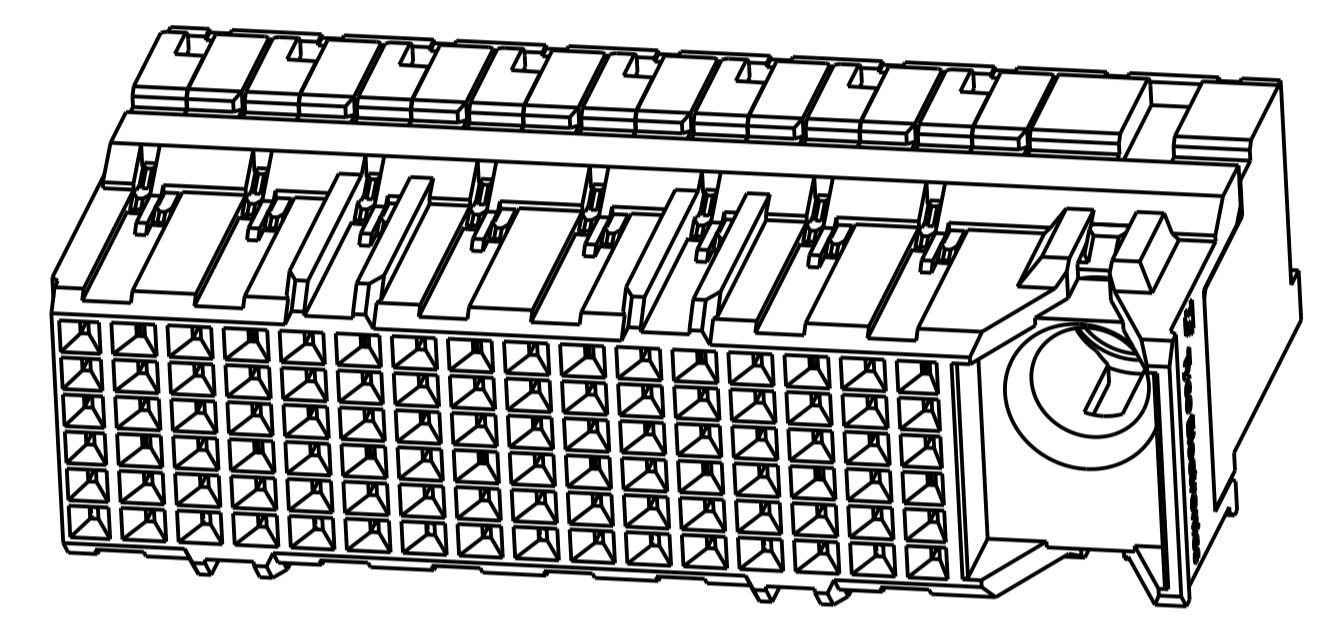
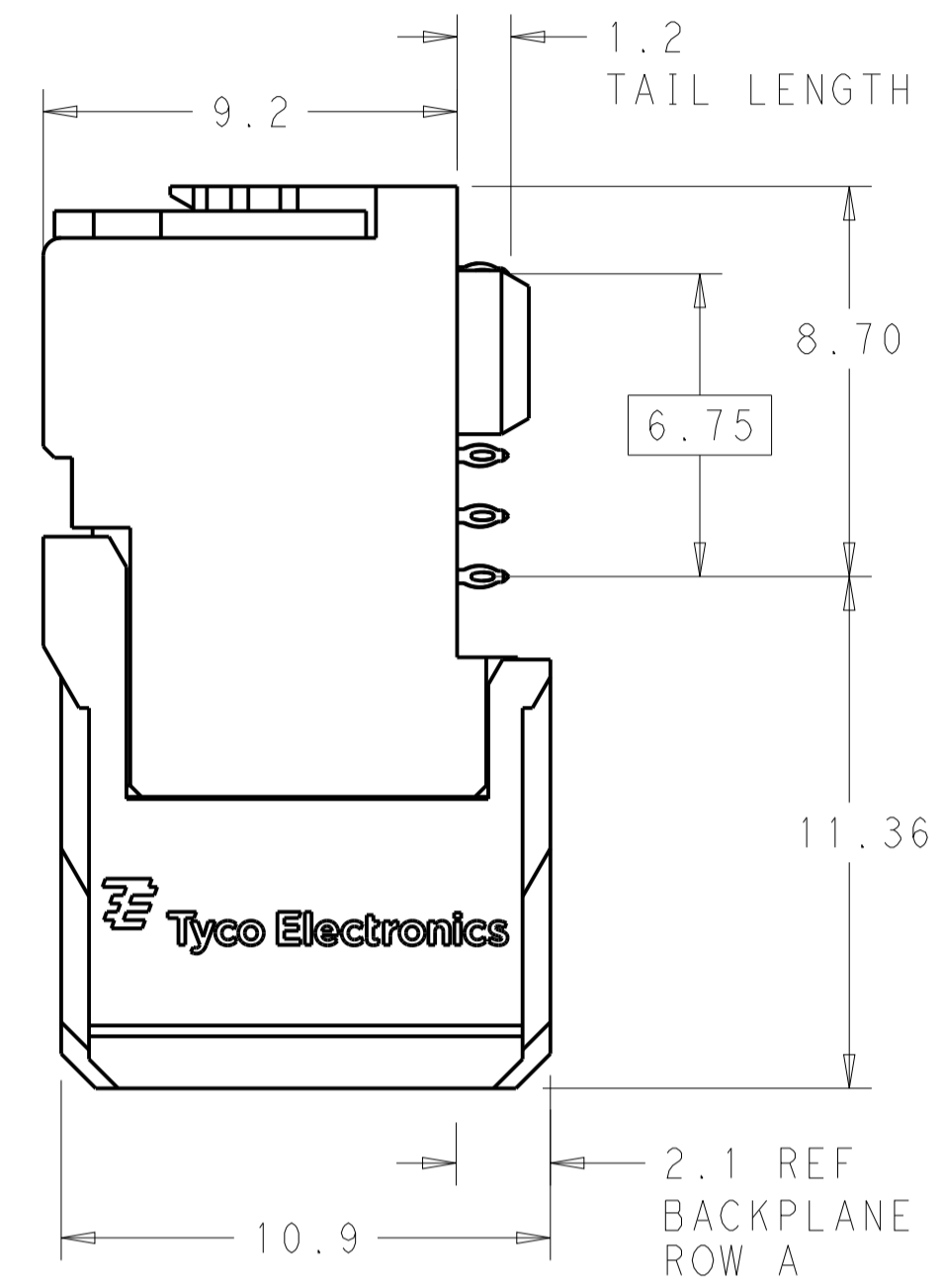
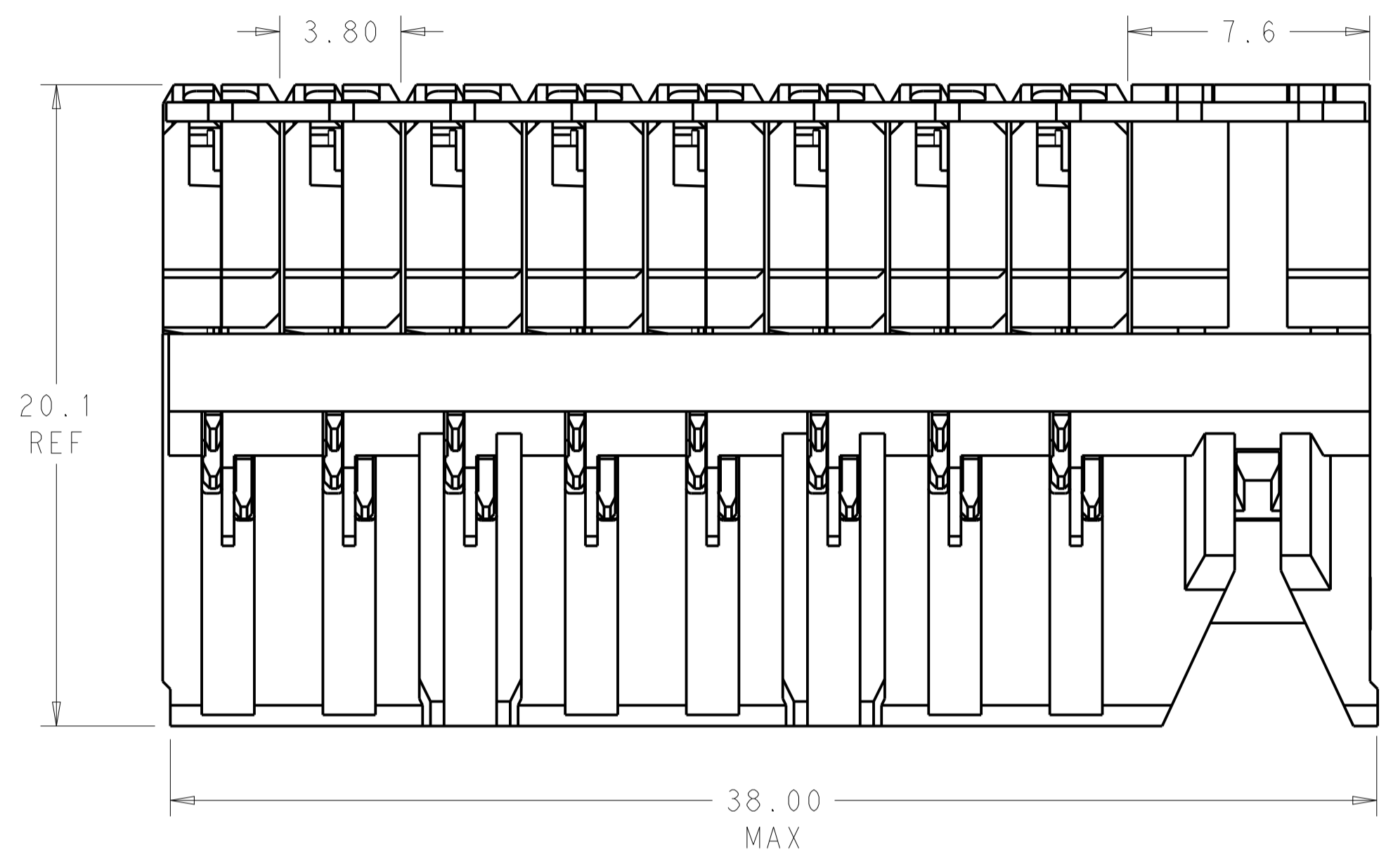


REVISIONS				
P.	LTM	DESCRIPTION	DATE	OWN APVD
C2		REVISED PER ECO-14-017984	02DEC2014	AP DD

⚠ MATERIAL:
 HOUSING: LCP, GLASS FILLED, UL94V-0.
 TERMINALS: HIGH PERFORMANCE COPPER ALLOY.

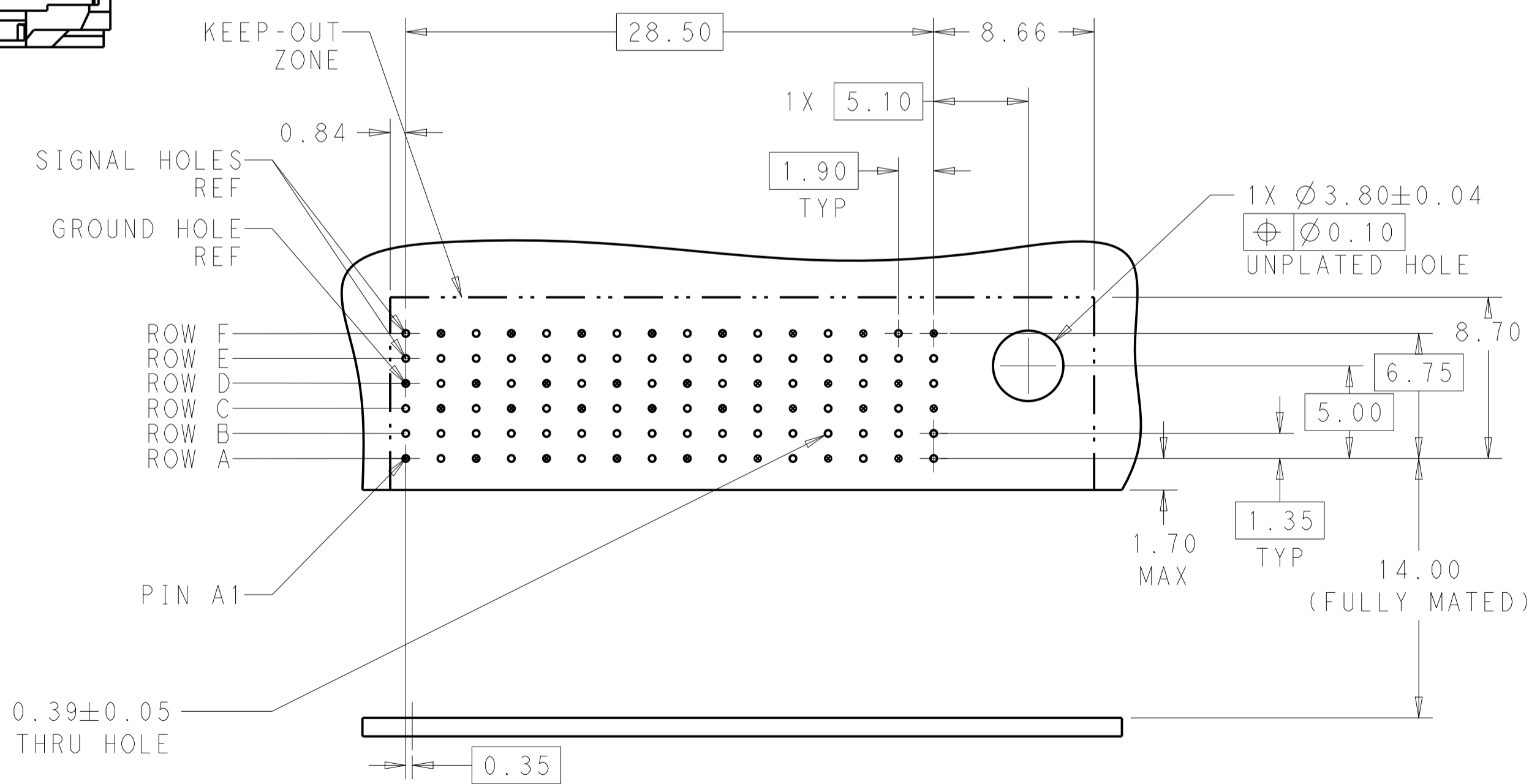
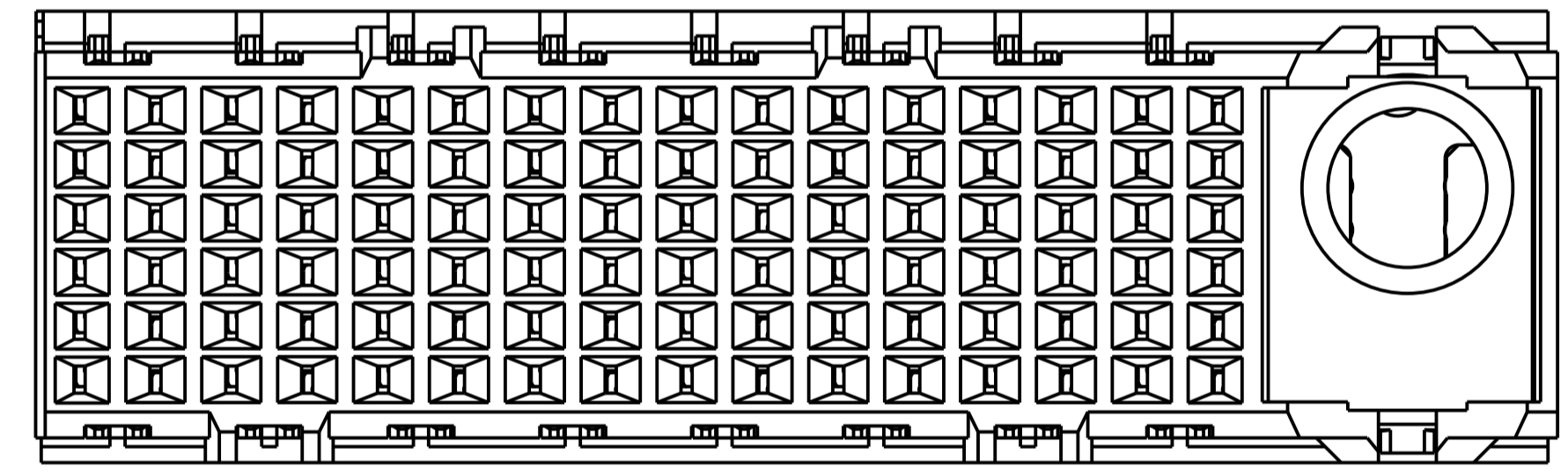
⚠ FINISH:
 30μ" SELECTIVE GOLD IN CONTACT AREA. SELECTIVE TIN
 ON PCB TAILS, NICKEL OVERALL.

3. CONNECTORS SUPPLIED WITH MOUNTING SCREW.



SCALE 4:1

REFER TO WWW.TE.COM
 FOR PRODUCT AVAILABILITY



0.35
 OFFSET BETWEEN BOARD AND
 BACKPLANE HOLE COLUMNS

RECOMMENDED PCB LAYOUT
 MIN BOARD THICKNESS 1.6

NONE	⚠	2057410-1
KEY POSITION	FINISH	PART NUMBER
THIS DRAWING IS A CONTROLLED DOCUMENT. DWN: Z. MILLER 19AUG2010 CHK: D. DIXON 19AUG2010 APVD: D. DIXON 19AUG2010		
TE TE Connectivity		
NAME: IMPACT, STD, R/A, 2 PAIR, 16 COLUMN, DAUGHTERCARD, RIGHT GUIDED SIGNAL MODULE, 0.39 EYELET PRODUCT SPEC: - APPLICATION SPEC: - SIZE: - CAGE CODE: - DRAWING NO: A100779 ©=2057410 WEIGHT: - RESTRICTED TO: - MATERIAL: SEE TABLE FINISH: SEE TABLE		
Customer Drawing		SCALE: 6:1 SHEET 1 OF 1 REV: C2