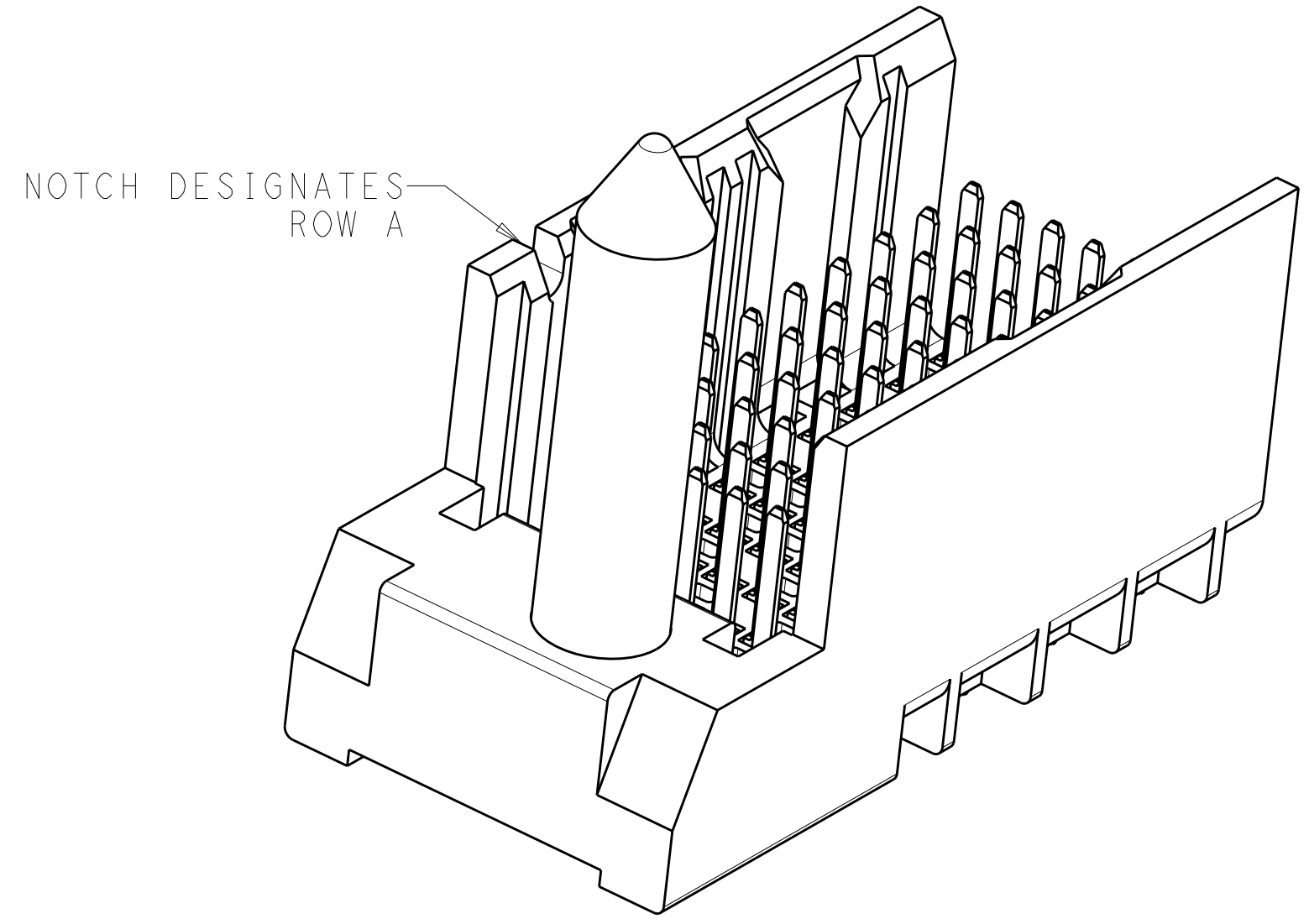
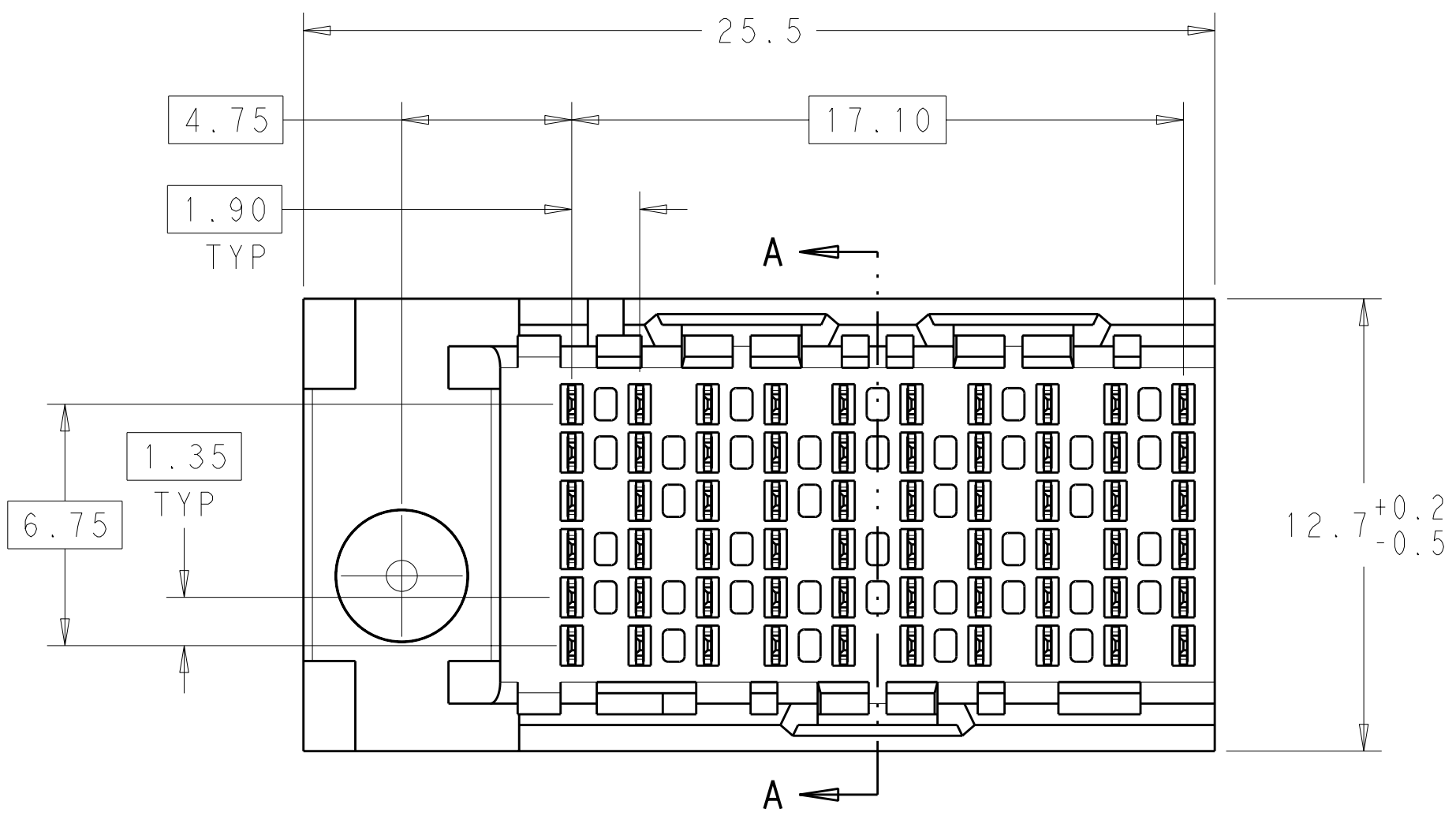
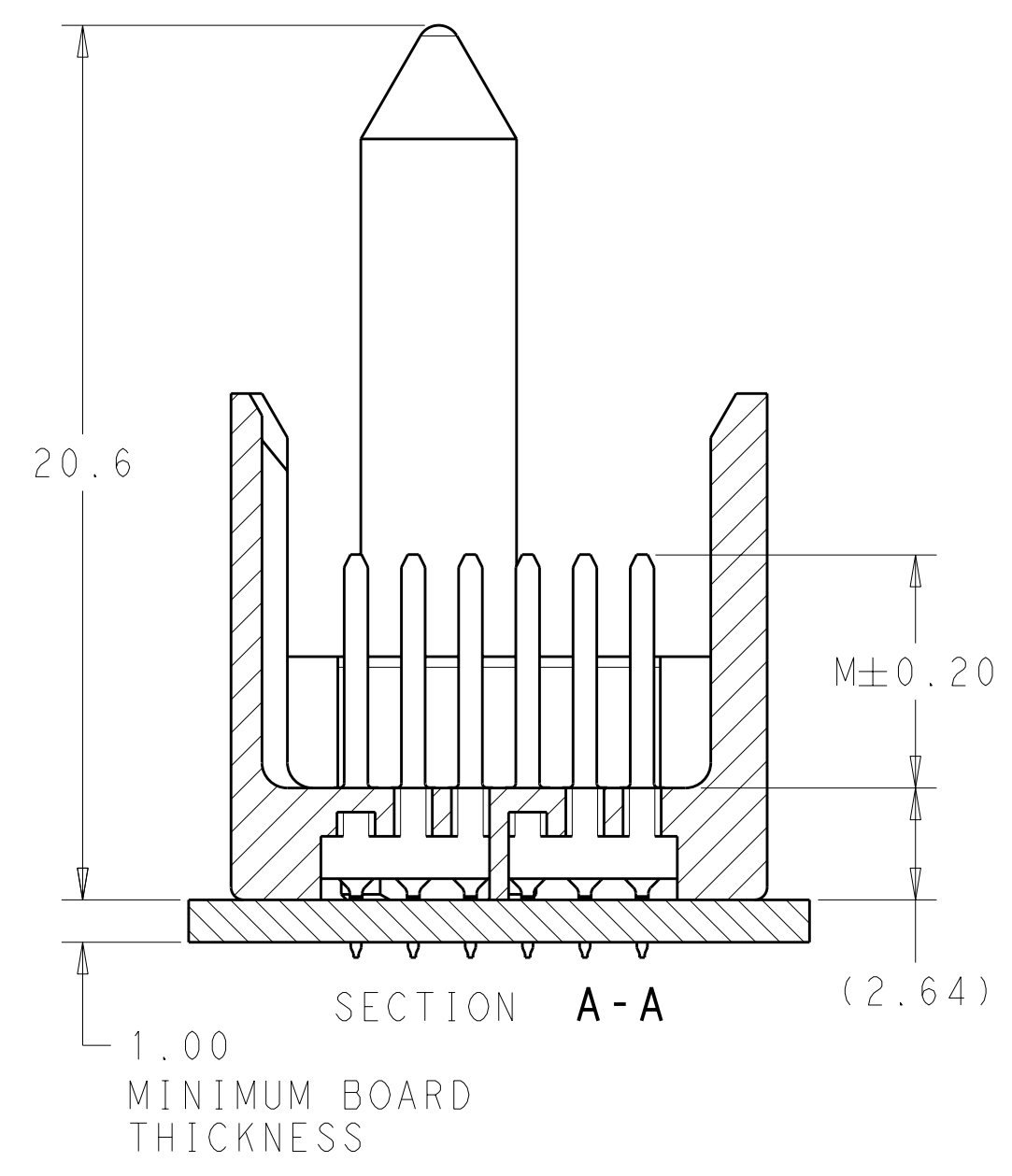
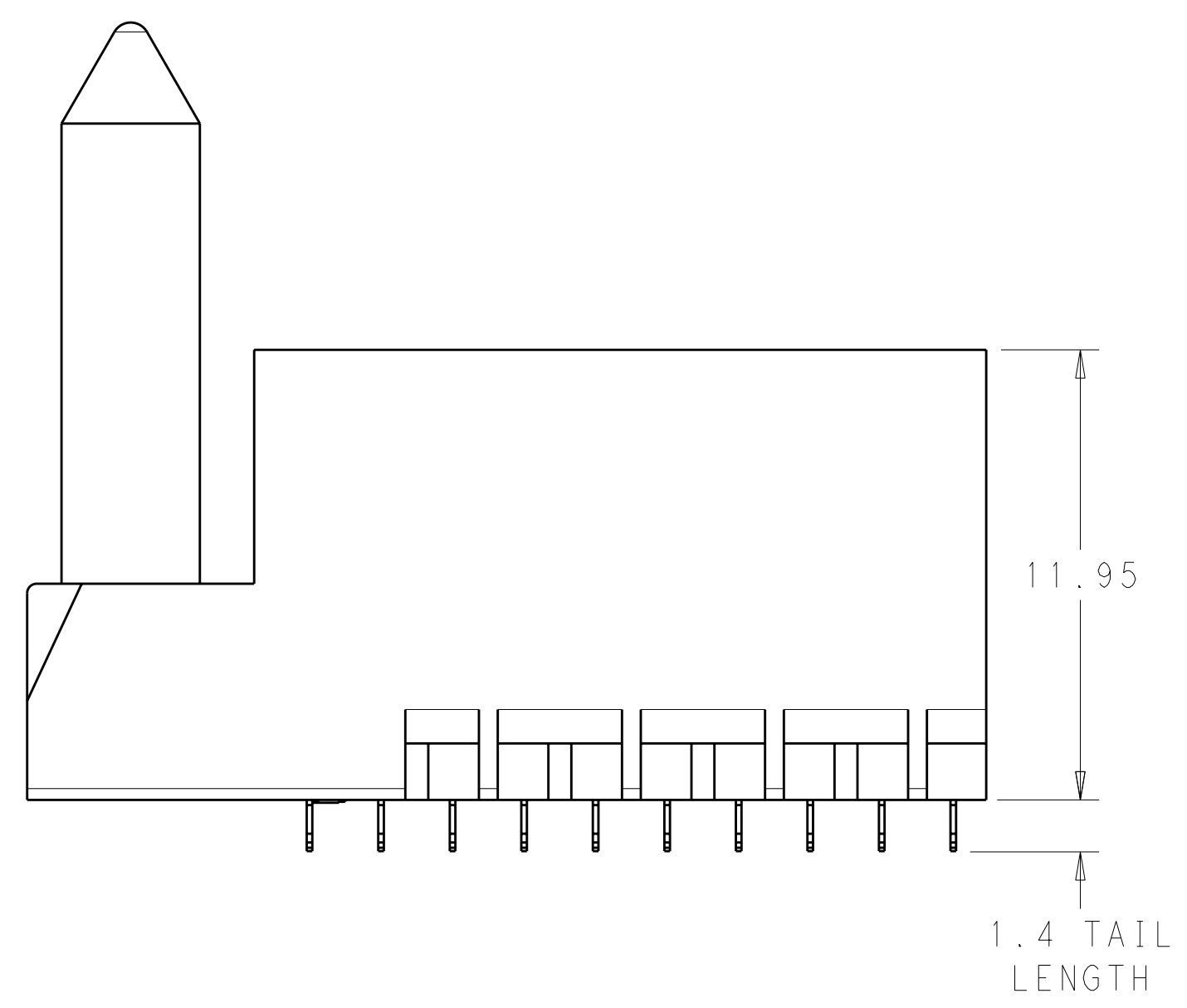
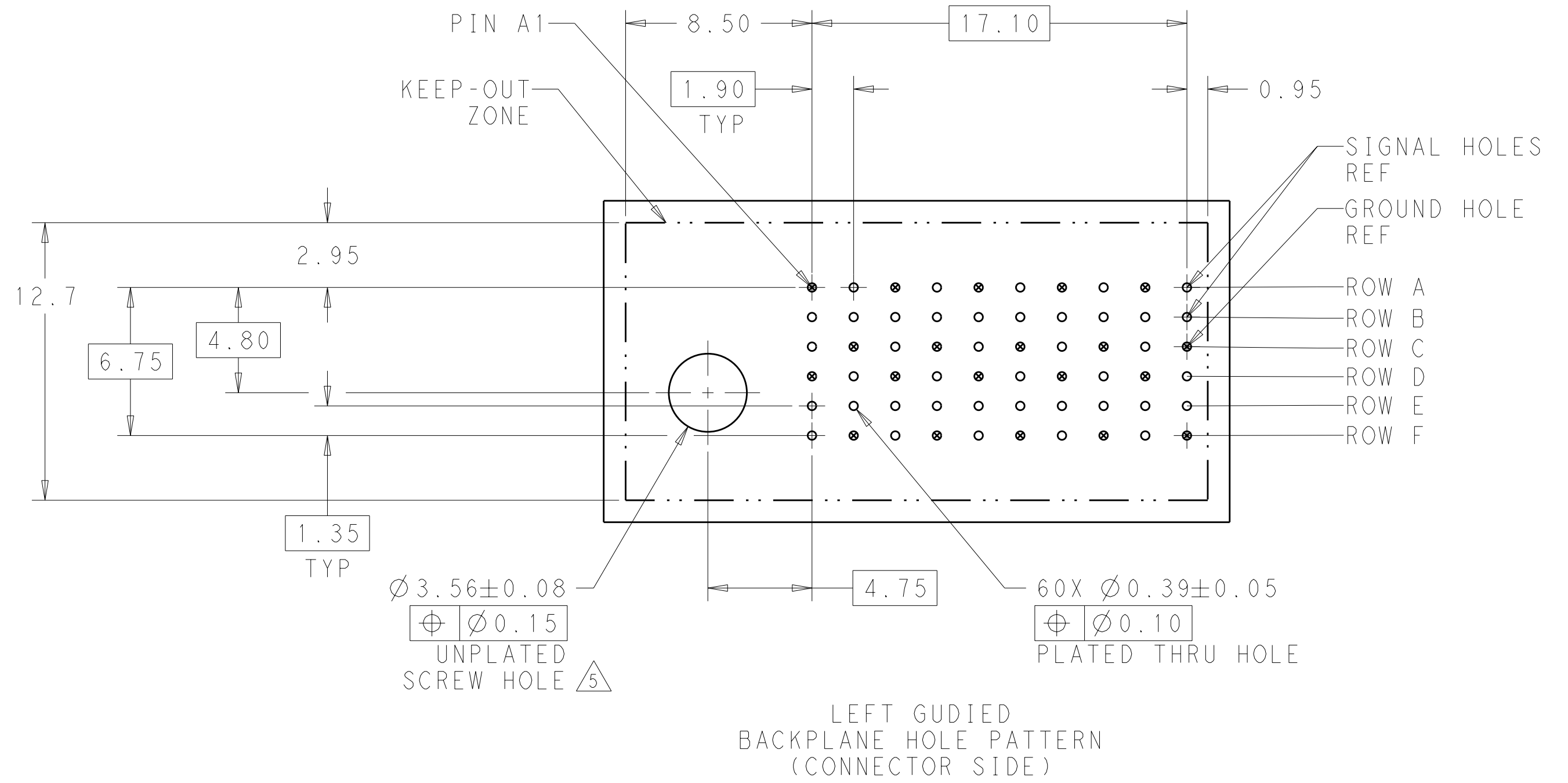


LOC		DIST		REVISIONS			
AD	00	P	LT#	DESCRIPTION	DATE	DWN	APVD
		B		REVISED PER ECO-11-025276	04JAN12	KH	DY



- 1 MATERIAL:
HOUSING: LCP, GLASS FILLED, UL94V-0.
TERMINALS: HIGH PERFORMANCE COPPER ALLOY.
- 2 FINISH:
30µ" MIN GOLD IN CONTACT AREA. SELECTIVE TIN ON PCB TAILS, NICKEL OVERALL.
- 3 FINISH:
30µ" MIN GOLD IN CONTACT AREA. SELECTIVE TIN-LEAD ON PCB TAILS, NICKEL OVERALL.
- 4. SCREWS PACKAGED IN END OF PACKAGING TUBE.
- 5 FOR GROUNDED GUIDE PIN USE Ø3.56±0.08 PTH, Ø3.66 DRILL, AND Ø6.5 PAD.



THIS DRAWING IS A CONTROLLED DOCUMENT.		DWN J. K. SHOBER 02DEC2010	TE Connectivity
DIMENSIONS: mm		CHK J. EARY 02DEC2010	
TOLERANCES UNLESS OTHERWISE SPECIFIED:		APVD J. EARY 02DEC2010	NAME IMPACT, 2 PAIR, 10 COLUMN, HEADER LEFT GUIDED, OPEN END WALL SIGNAL MODULE, 0.39 PTH
Ø	9 PLC ±0.25	PRODUCT SPEC	SIZE CAGE CODE DRAWING NO RESTRICTED TO
∅	3 PLC ±0.13	APPLICATION SPEC	A1100779C=2057419
∠	4 PLC ±0.13	WEIGHT	CUSTOMER DRAWING
FINISH	SEE TABLE	SCALE 6:1	SHEET 1 OF 2 REV B

THIS DRAWING IS UNPUBLISHED. RELEASED FOR PUBLICATION 20
 © COPYRIGHT 20 . . . ALL RIGHTS RESERVED.

LOC	DIST	REVISIONS					
AD	00	P	LTG	DESCRIPTION	DATE	DWN	APVD
		-	-	SEE SHEET 1	-	-	-

FINISH	DIM M	PART NUMBER
\triangle_3	5.5	2057419-6
\triangle_3	4.9	2057419-5
\triangle_3	4.5	2057419-4
\triangle_2	5.5	2057419-3
\triangle_2	4.9	2057419-2
\triangle_2	4.5	2057419-1

REFER TO WWW.TE.COM
FOR PRODUCT AVAILABILITY

THIS DRAWING IS A CONTROLLED DOCUMENT.		DWN J. K. SHOBER 02DEC2010	
DIMENSIONS: mm		CHK J. EARY 02DEC2010	
TOLERANCES UNLESS OTHERWISE SPECIFIED: 9 PLC ± 7 PLC ±0.25 5 PLC ±0.13 4 PLC ± ANGLES ±		APVD J. EARY 02DEC2010	NAME IMPACT, 2 PAIR, 10 COLUMN, HEADER LEFT GUIDED, OPEN END WALL SIGNAL MODULE, 0.39 PTH
MATERIAL -		FINISH SEE TABLE	PRODUCT SPEC -
CUSTOMER DRAWING		APPLICATION SPEC -	WEIGHT -
SCALE 5:1		SIZE CAGE CODE DRAWING NO A100779C=2057419	RESTRICTED TO -
SHEET 2 OF 2		REV B	