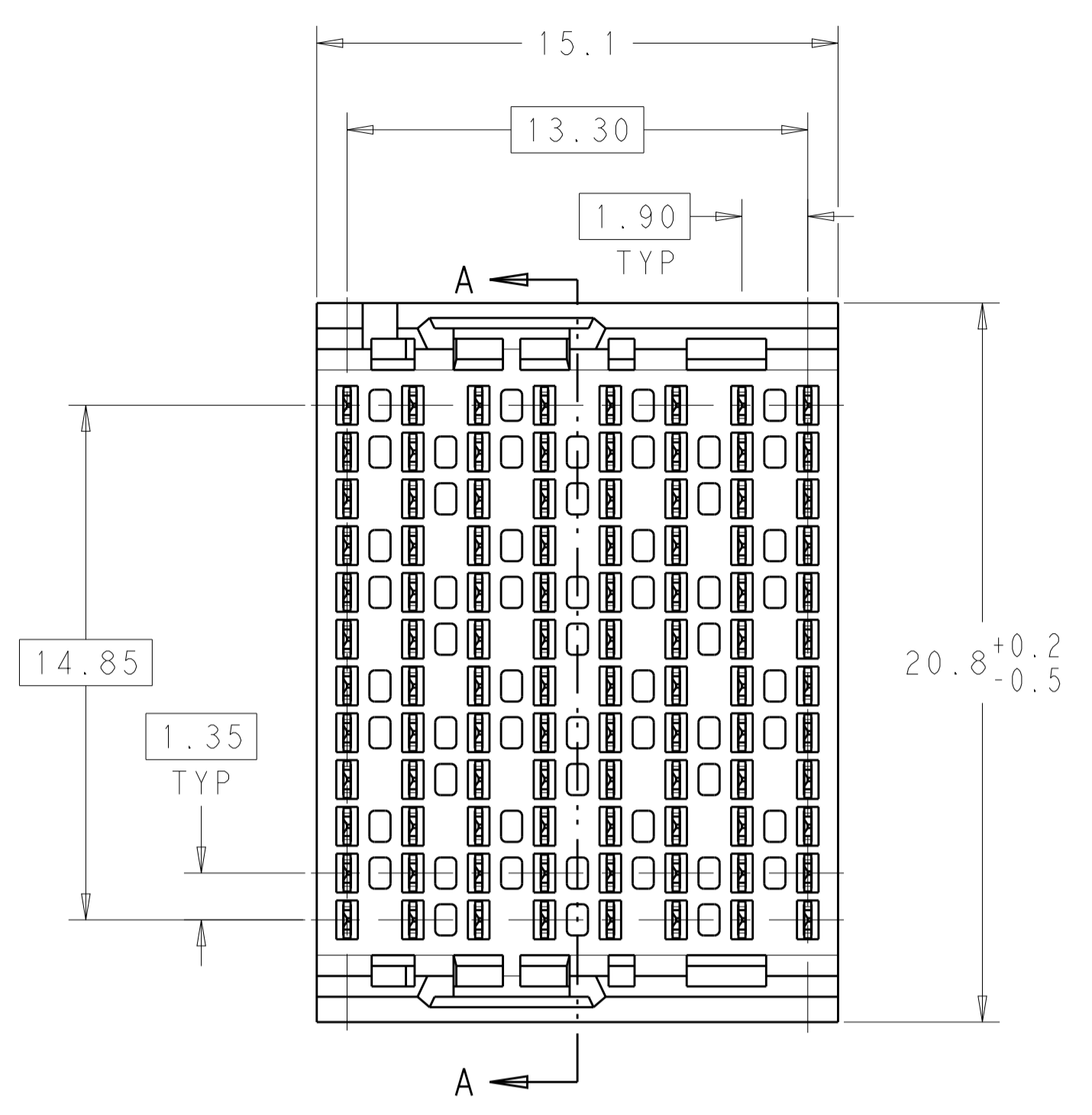
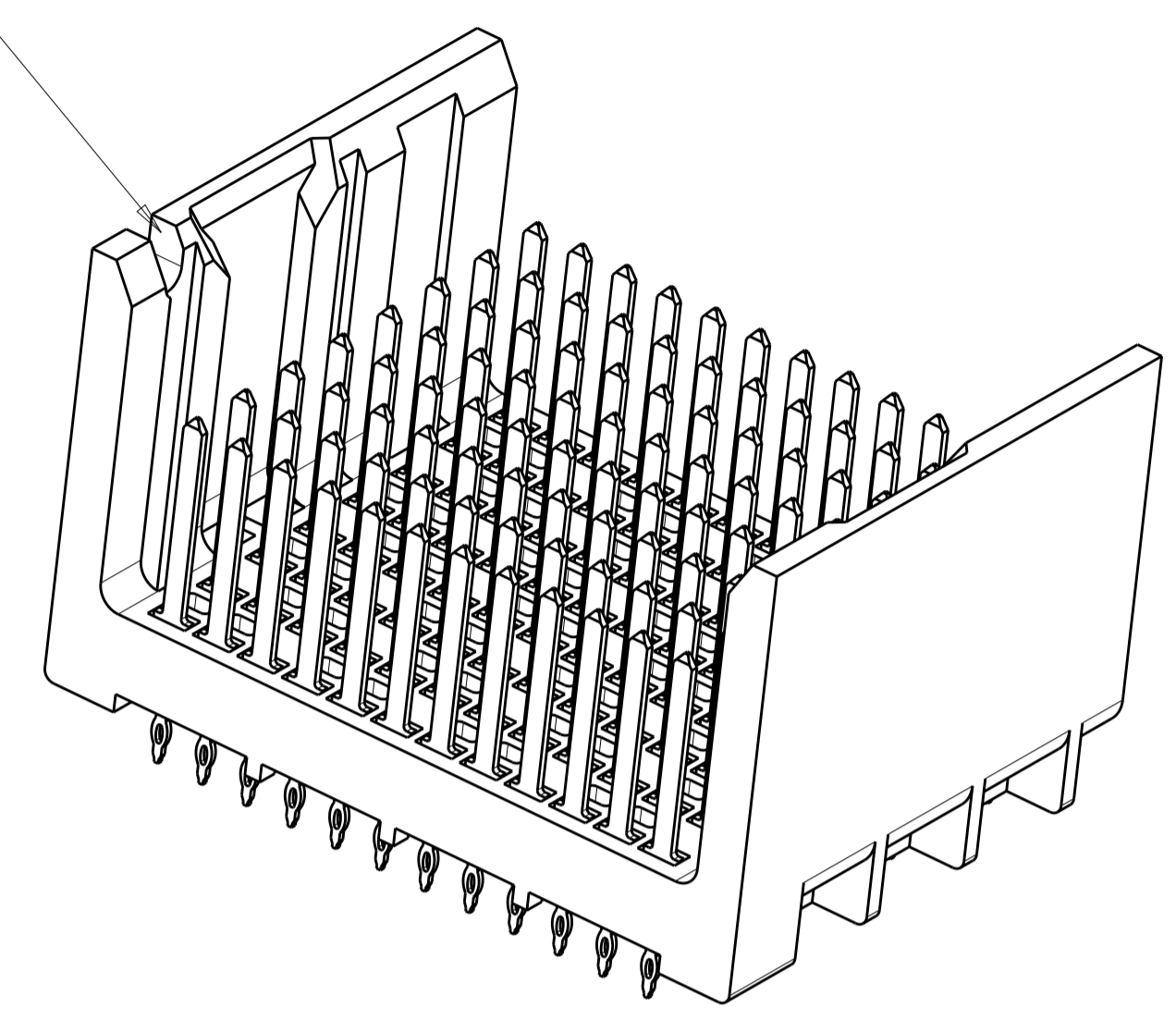


LOC	DIST	REVISIONS			
P	LTN	DESCRIPTION	DATE	DWN	APVD
A		REVISED PER ECO-15-001494	06FEB2015	AP	DD

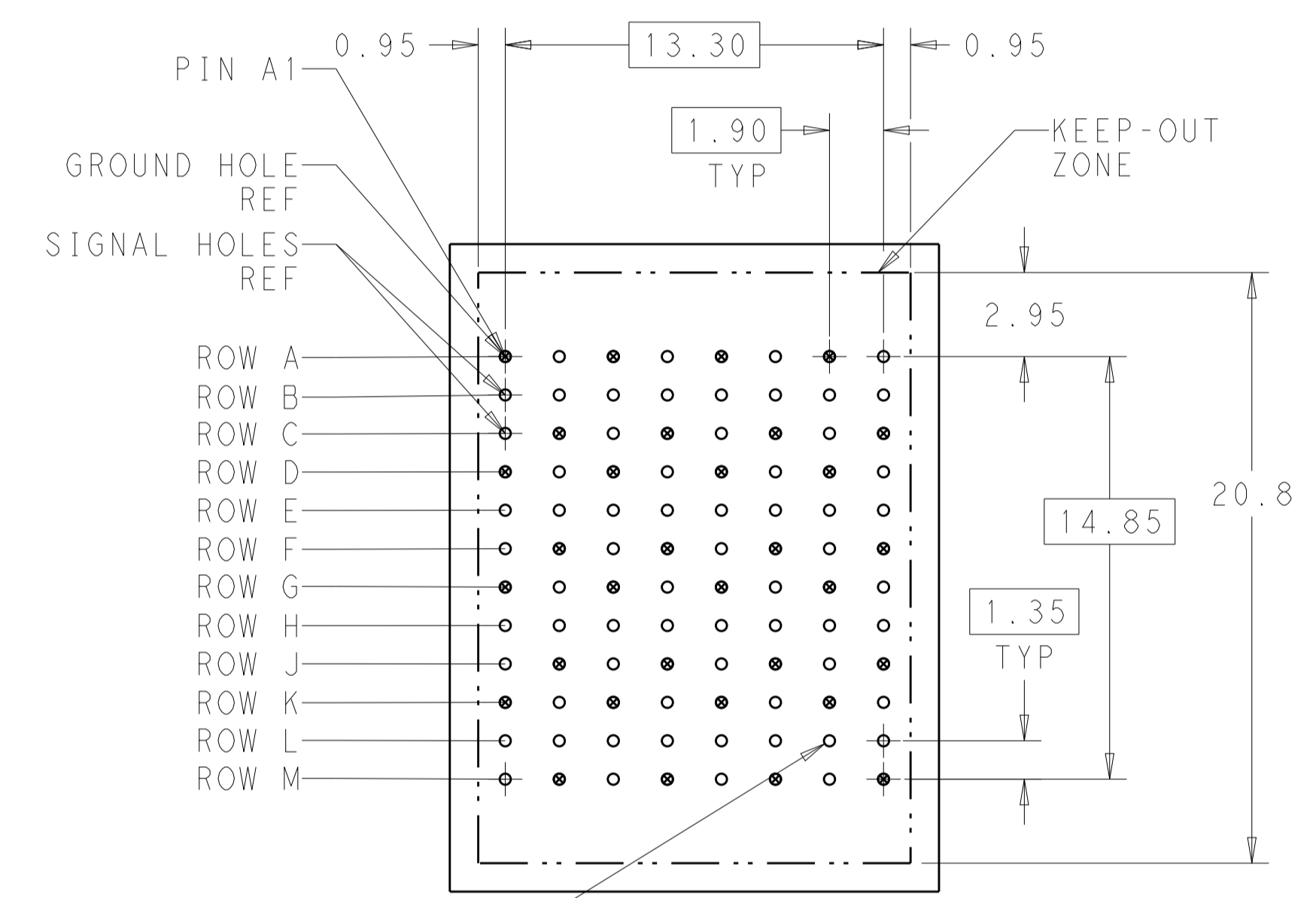


NOTCH DESIGNATES ROW A



⚠ MATERIAL:
HOUSING: LCP, GLASS FILLED, UL94V-0.
TERMINALS: HIGH PERFORMANCE COPPER ALLOY.

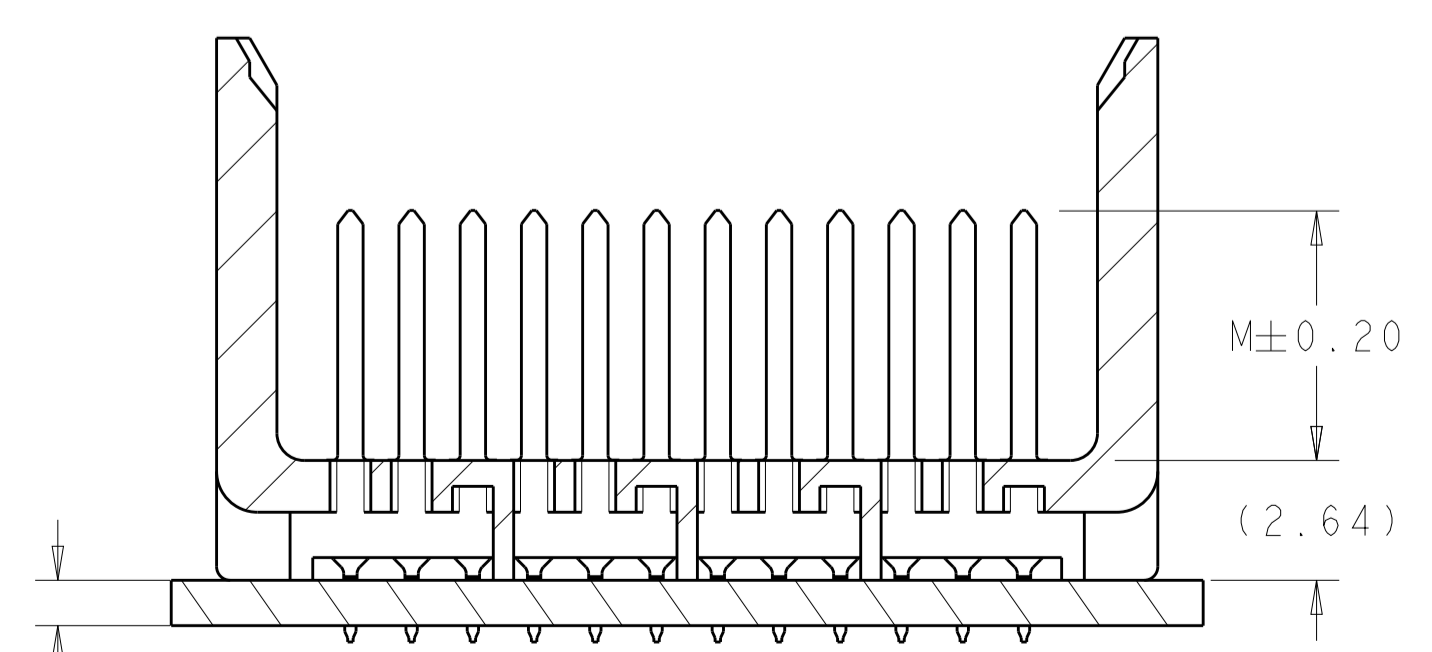
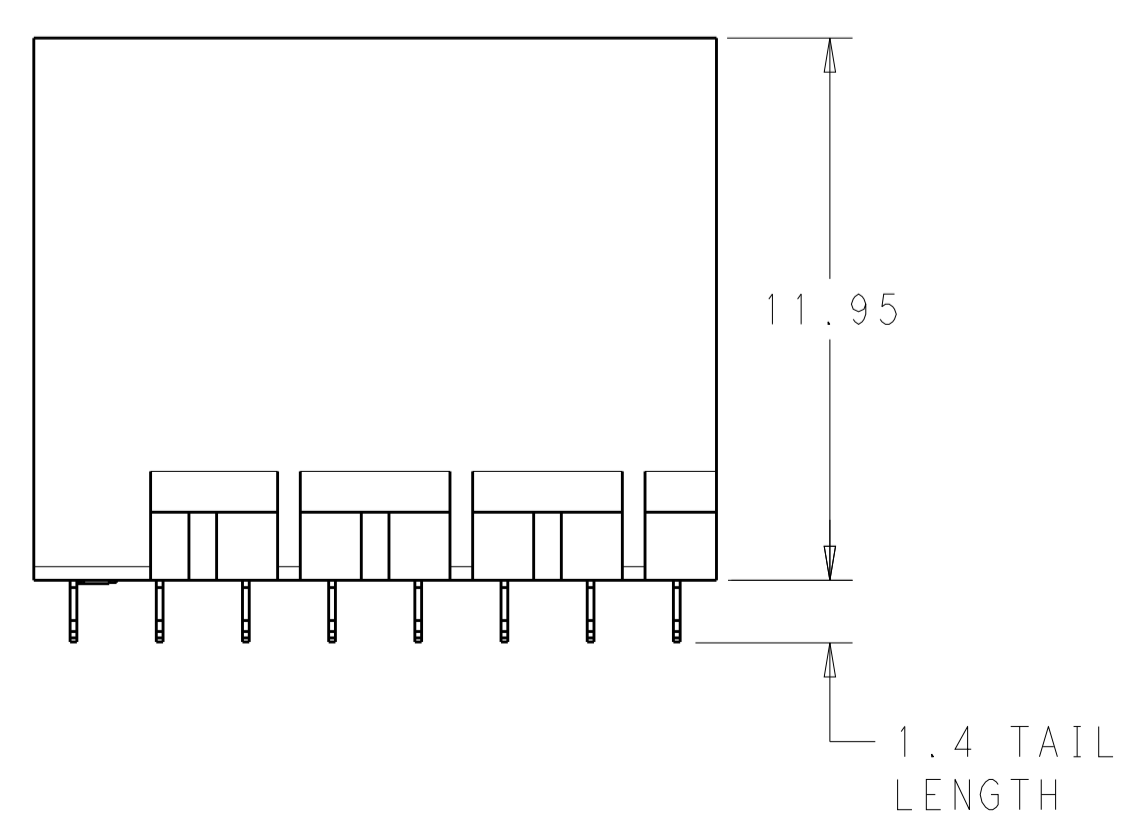
⚠ FINISH:
30μ" MIN GOLD IN CONTACT AREA. SELECTIVE TIN ON PCB TAILS, NICKEL OVERALL.



96X $\varnothing 0.39 \pm 0.05$ PLATED THRU HOLE

96X $\varnothing 0.48 \pm 0.013$ DRILL HOLE

$\varnothing 0.10$ UNGUIDED BACKPLANE HOLE PATTERN (CONNECTOR SIDE)



SECTION A-A

THIS DRAWING IS A CONTROLLED DOCUMENT.		DWN: KIRAN HOLAL 09JAN2013	TE Connectivity
DIMENSIONS: mm		CHK: D. DIXON 09JAN2013	
TOLERANCES UNLESS OTHERWISE SPECIFIED:		APVD: D. DIXON 09JAN2013	NAME: IMPACT, 4 PAIR, 8 COLUMN, HEADER
0 PLC	±	PRODUCT SPEC	UNGUIDED, OPEN END WALL
1 PLC	±0.25	APPLICATION SPEC	SIGNAL MODULE, 0.39 PTH
2 PLC	±0.13	SIZE	A100779C=2057446
3 PLC	±	WEIGHT	Customer Drawing
4 PLC	±	SCALE	6:1
ANGLES	±	SHEET	1 OF 2
FINISH	SEE TABLE	REV	A

THIS DRAWING IS UNPUBLISHED. RELEASED FOR PUBLICATION 20
 © COPYRIGHT 20 BY - ALL RIGHTS RESERVED.

LOC	DIST	REVISIONS					
		P	LTN	DESCRIPTION	DATE	DWN	APVD
AD	00	-		SEE SHEET 1	-	-	-

	5.5	2057446-3
	4.9	2057446-2
	4.5	2057446-1
FINISH	DIM M	PART NUMBER

REFER TO WWW.TE.COM
FOR PRODUCT AVAILABILITY

THIS DRAWING IS A CONTROLLED DOCUMENT.		DWN	KIRAN HOLHL	09JAN2013		TE Connectivity
		CHK	D. DIXON	09JAN2013		
DIMENSIONS:		TOLERANCES UNLESS OTHERWISE SPECIFIED:		NAME		IMPACT, 4 PAIR, 8 COLUMN, HEADER
mm	0 PLC ±	1 PLC ±0.25	2 PLC ±0.13	3 PLC ±	4 PLC ±	UNGUIDED, OPEN END WALL
	ANGLES	FINISH	SEE TABLE	APVD	D. DIXON	09JAN2013
MATERIAL	-	WEIGHT	-	APPLICATION SPEC	-	RESTRICTED TO
		Customer Drawing		SIZE	A1	CAGE CODE
				DRAWING NO	00779	DRAWING NO
				SCALE	5:1	SHEET
				REV	2	OF
				REV	A	