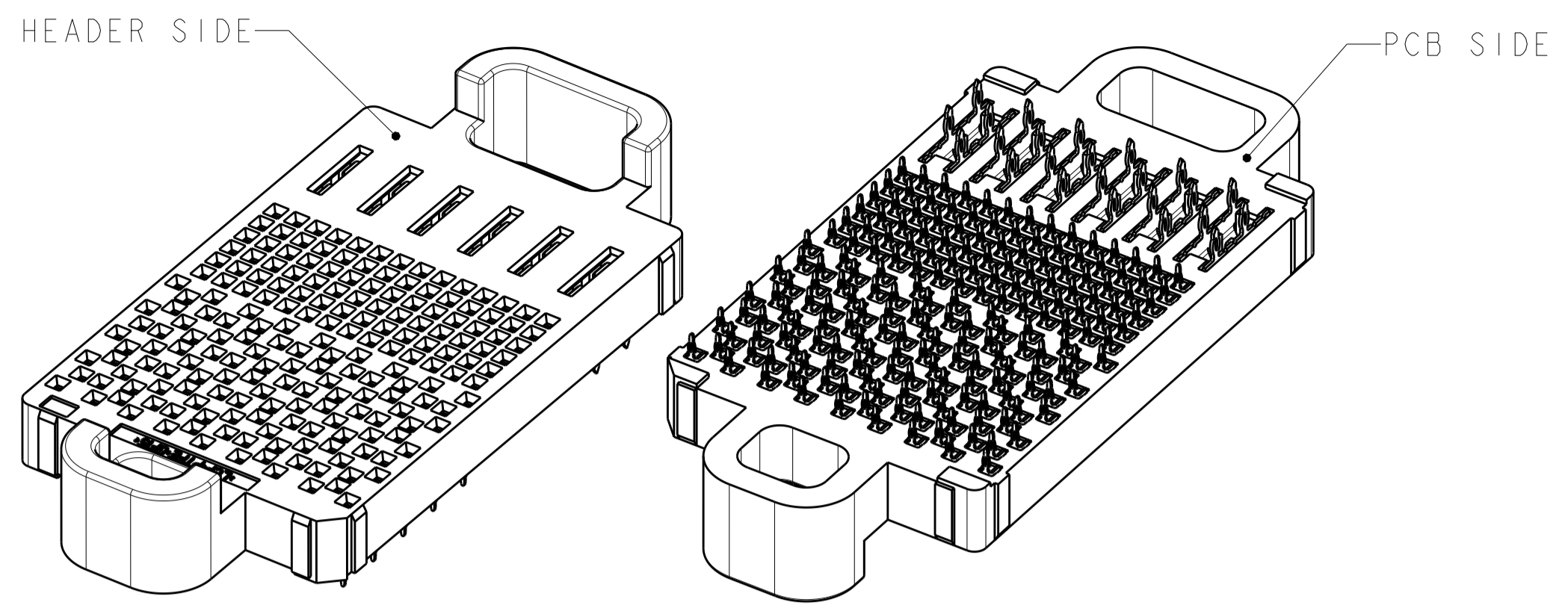
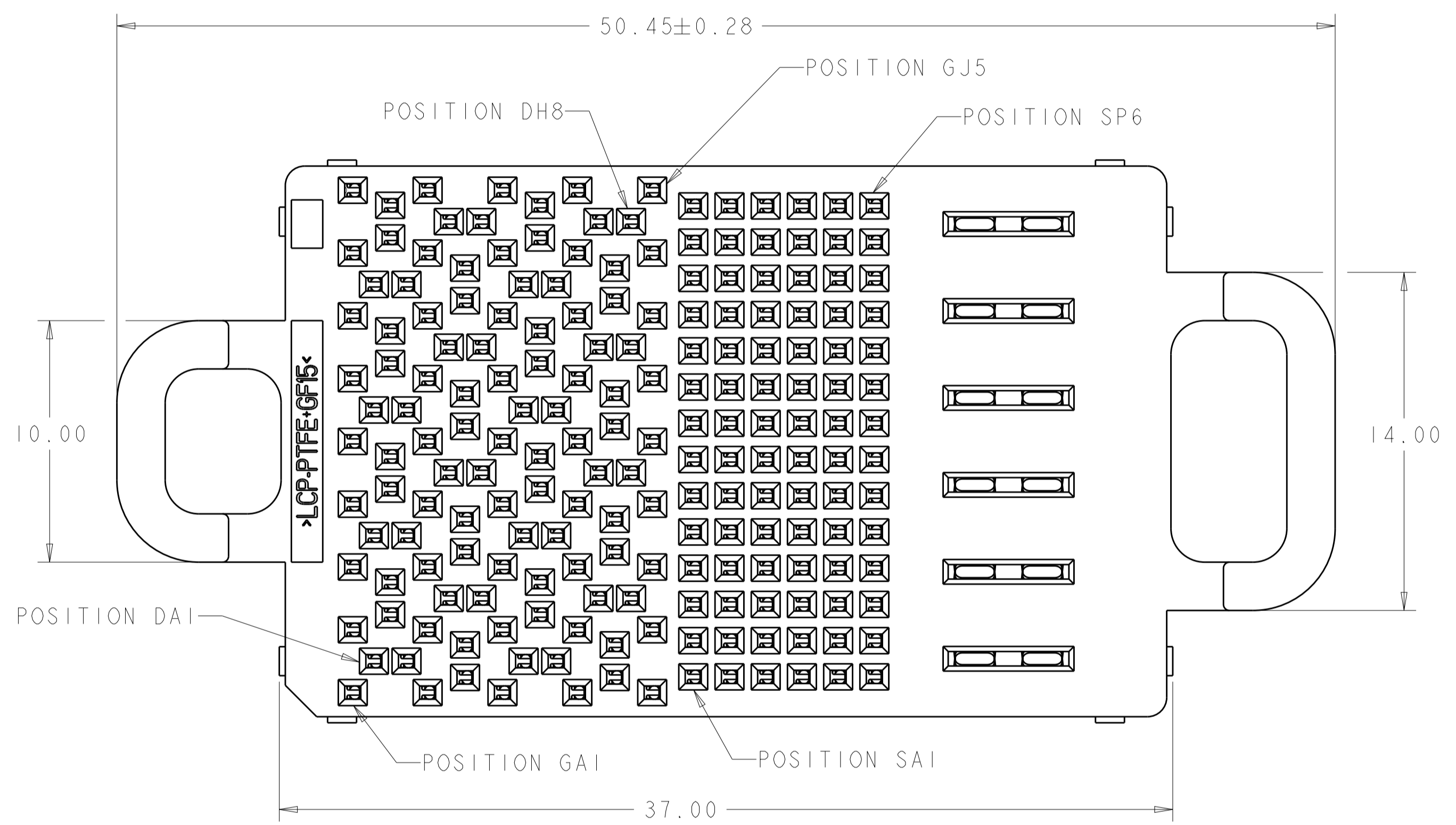


LOC	DIST	REVISIONS					
GP	00	P	LTN	DESCRIPTION	DATE	DWN	APVD
		A1		REVISED PER ECO-17-013552	14SEP2017	A.S.	S.Y.



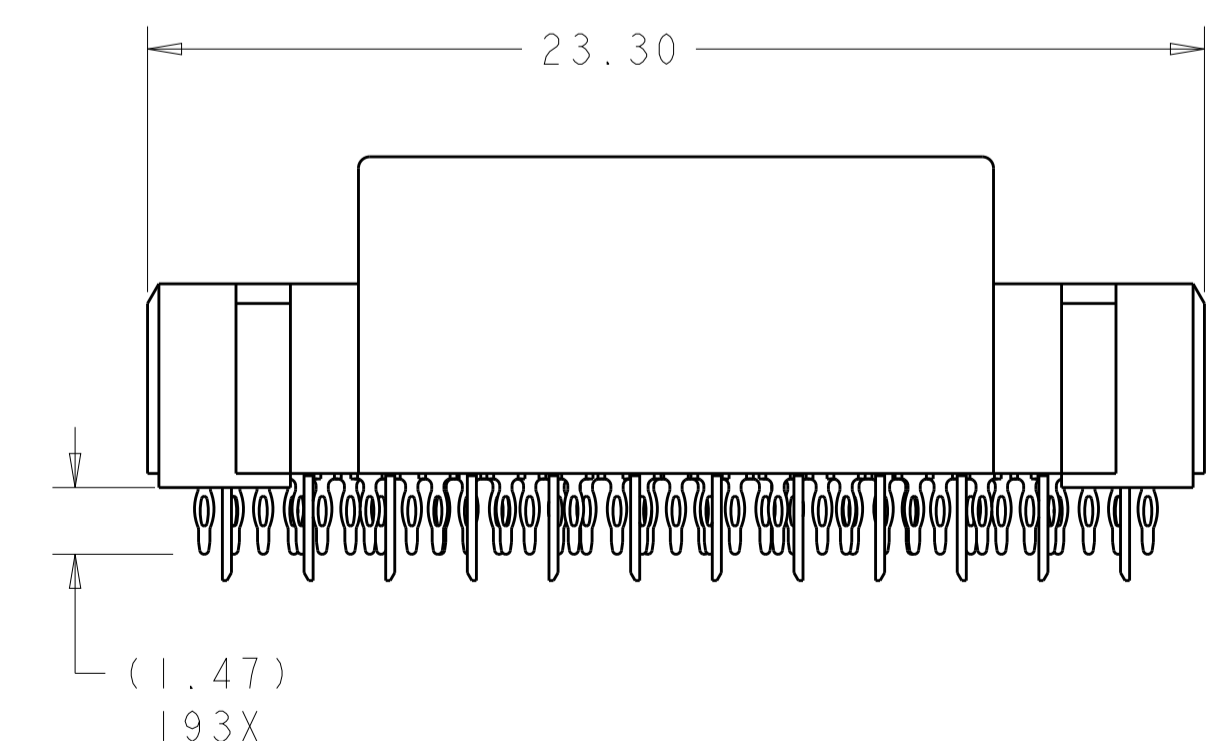
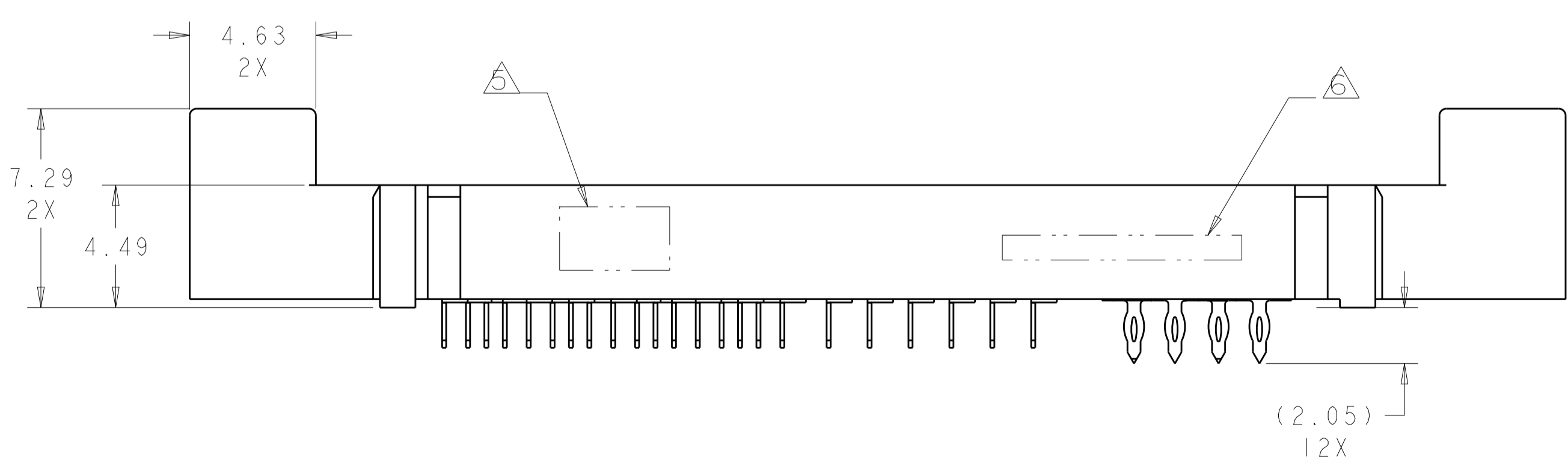
ISOMETRIC VIEWS
SCALE 3:1

- △ MATERIAL:
HOUSING: THERMOPLASTIC, FLAMMABILITY RATING UL94-V0
CONTACT: COPPER ALLOY
- 2. CONFORMS TO THE REQUIREMENTS OF TE PRODUCT SPECIFICATION, 108-2375; BASED ON TELCORDIA GR-1217-GP FOR SYSTEM QUALITY LEVEL III, APPLICATIONS IN CONTROLLED ENVIRONMENTS (CENTRAL OFFICE).
SEE TE PRODUCT SPECIFICATION 108-2375 FOR TEST SEQUENCES.
- △ ROWS GA THRU GJ (SHOWN DARKENED) ARE TYPICALLY USED AS GROUNDS.
- △ SPECIFIED POSITIONAL TOLERANCE DEFINES HOLE TO HOLE LOCATION WITHIN HOLE PATTERN. POSITIONAL TOLERANCE OF HOLE PATTERN TO FIDUCIAL MARKS OR PCB DATUMS SHALL BE DEFINED BY CUSTOMER.
- △ AREA RESERVED FOR TE CONNECTIVITY LOGO.
- △ AREA RESERVED FOR PART NUMBER (X-XXXXXXX-X) AND DATE CODE (YYWW).
- △ USE CENTERLINES INDICATED ON PCB HOLE PATTERN TO ESTABLISH ALIGNMENT BETWEEN HEADER AND RECEPTACLE BOARDS.
- △ PLATED THROUGH HOLE REQUIREMENTS - SIGNAL:
HOLE SIZE PRIOR TO PLATING = $\varnothing 0.420 \pm 0.013$
COPPER PLATING THICKNESS = 0.038 ± 0.013
CALCULATED FINISHED HOLE SIZE = $\varnothing 0.344 \pm 0.039$
THESE DIMENSIONS APPLY TO THE TOP 1.25mm OF THE PCB THICKNESS FROM THE CONNECTOR MOUNTING SIDE.
- △ PLATED THROUGH HOLE REQUIREMENTS - POWER:
HOLE SIZE PRIOR TO PLATING = $\varnothing 0.700 \pm 0.025$
COPPER PLATING THICKNESS = 0.038 ± 0.013
CALCULATED FINISHED HOLE SIZE = $\varnothing 0.624 \pm 0.051$
THESE DIMENSIONS APPLY TO THE TOP 1.50mm OF THE PCB THICKNESS FROM THE CONNECTOR MOUNTING SIDE.



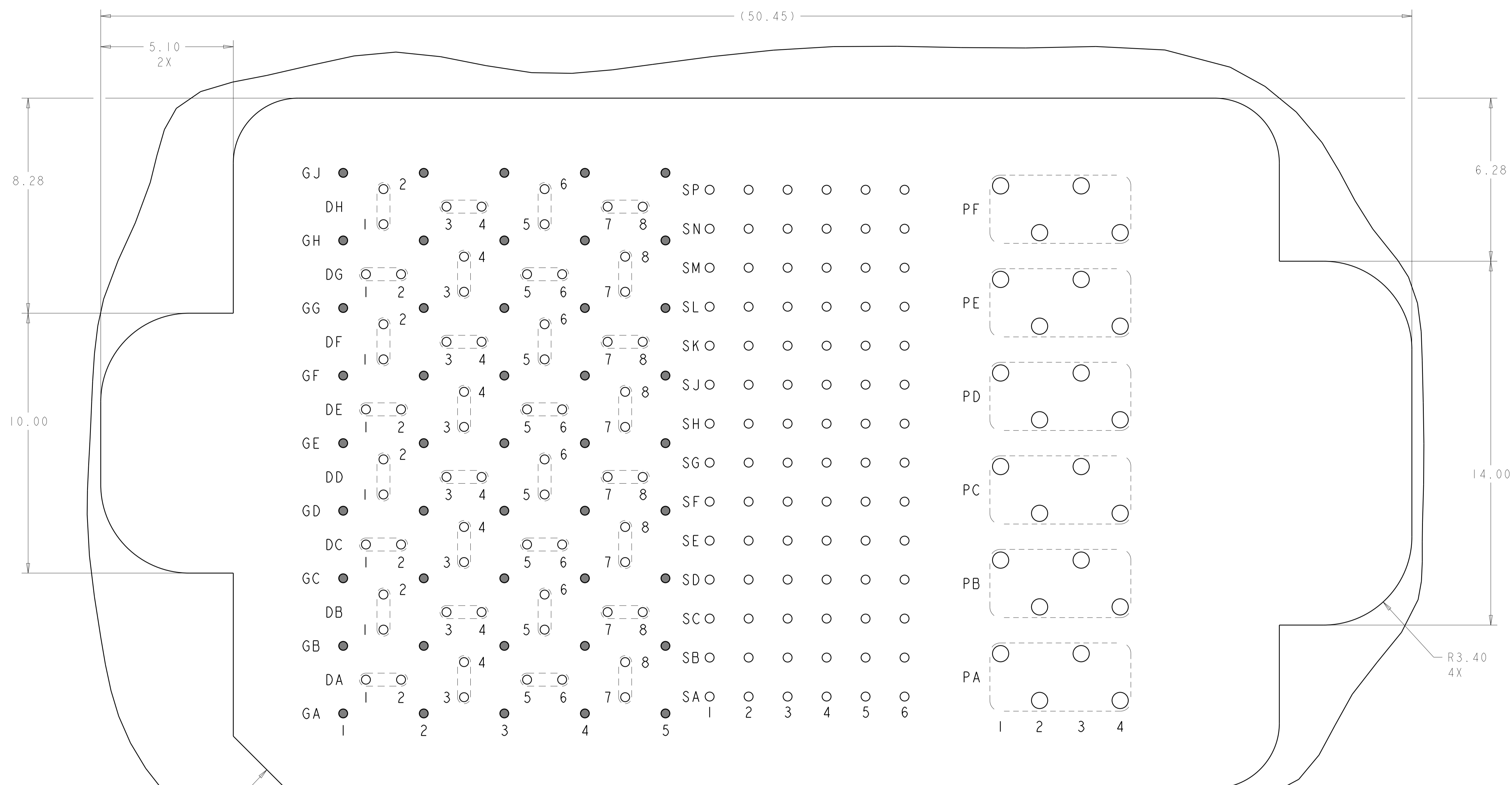
SIZE 2 HOUSING W/ GUIDE POSTS *
32 DIFFERENTIAL PAIRS
84 HIGH-DENSITY GRID
193 TOTAL SIGNAL CONTACTS
6 POWER CONTACTS

* SIZE 1 AND SIZE 3 ARE ALSO AVAILABLE



YES	MATTE Sn	5-2057471-1
	Sn/Pb	2057471-1
TOOLED	CONTACT TAIL PLATING	PART NUMBER
STE TE Connectivity		
DWN: D. RINGLER 05SEP2008 CHK: D. TROUT 05SEP2008 APVD: J. FEDDER 05SEP2008		NAME: RECEPTACLE ASSEMBLY 32/84/6P STRADA MESA MEZZANINE CONNECTOR
DIMENSIONS: mm TOLERANCES UNLESS OTHERWISE SPECIFIED: 0 PLC ± 1 PLC ±0.13 2 PLC ±0.13 3 PLC ±0.13 4 PLC ± ANGLES ± FINISH ±		PRODUCT SPEC: 108-2375 APPLICATION SPEC: 114-13249 SIZE: A1 CAGE CODE: 00779 DRAWING NO: C=2057471 RESTRICTED TO: -
MATERIAL: △		WEIGHT: - CUSTOMER DRAWING: - SCALE: 3:1 SHEET 1 OF 3 REV: A1


LOC		DIST		REVISIONS				
P	LTN	DESCRIPTION	DATE	DWN	APVD			
-	-	SEE SHEET 1	-	-	-			



A1 CORNER INDICATORS.

PCB LAYOUT AND PIN IDENTIFICATION 
 SHOWN FROM COMPONENT SIDE
 SCALE 12:1

MATED CONNECTOR OUTLINE
 SEE SHEET 3 FOR LOCATION TO HOLES

THIS DRAWING IS A CONTROLLED DOCUMENT.		DWN D. RINGLER 05SEP2008	 TE Connectivity
DIMENSIONS: mm		CHK D. TROUT 05SEP2008	
TOLERANCES UNLESS OTHERWISE SPECIFIED:		APVD J. FEDDER 05SEP2008	NAME RECEPTACLE ASSEMBLY
0 PLC ±		PRODUCT SPEC	32784/6P
1 PLC ±0.13		APPLICATION SPEC	STRADA MESA MEZZANINE CONNECTOR
2 PLC ±0.013		SIZE	A1
3 PLC ±		CAGE CODE	100779
4 PLC ±		DRAWING NO	2057471
ANGLES ±1		RESTRICTED TO	
MATERIAL		WEIGHT	
FINISH		CUSTOMER DRAWING	
		SCALE	3:1
		SHEET	2 OF 3
		REV	A1