




## Features

- Size: 11.8 mm diameter, 12 mm length
- 60 kA surge rating
- High power handling
- Low leakage
- RoHS compliant\*
-  UL Recognized

## Applications

- Telecommunications equipment
- Industrial equipment/electronics

# 2061 Series High-Current 2-Electrode Gas Discharge Tube

## Characteristics

Test Methods per ITU-T K.12 and IEC 61643-311.

Characteristic	Model No.				
	2061-23	2061-25	2061-30	2061-35	2061-42
DC Sparkover $\pm 20\%$ @ 100 V/s	230 V	250 V	300 V	350 V	420 V
Impulse Sparkover <sup>(1)</sup>					
100 V/ $\mu$ s	< 600 V	< 600 V	< 700 V	< 800 V	< 900 V
1000 V/ $\mu$ s	< 700 V	< 700 V	< 800 V	< 900 V	< 1000 V

Characteristic	Model No.			
	2061-47	2061-60	2061-70	2061-80
DC Sparkover $\pm 20\%$ @ 100 V/s	470 V	600 V	700 V	800 V
Impulse Sparkover <sup>(1)</sup>				
100 V/ $\mu$ s	< 900 V	< 1100 V	< 1200 V	< 1300 V
1000 V/ $\mu$ s	< 1100 V	< 1300 V	< 1400 V	< 1500 V

<sup>(1)</sup> Impulse Sparkover voltage is defined as typical values of distribution.

Insulation Resistance (IR) <sup>(2)</sup> .....	100 / 250 Vdc .....	> 1 G $\Omega$
Glow Voltage .....	10 mA .....	~ 70 V
Arc Voltage .....	1 A .....	~ 10 V
Glow-Arc Transition Current .....		< 1 A
Maximum Capacitance .....	1 MHz .....	< 10 pF
Maximum Impulse Discharge Current .....	60,000 A, 8/20 $\mu$ s .....	1 operation
	40,000 A, 8/20 $\mu$ s .....	5 operations
Nominal Alternating Discharge Current .....	40 A, 50 Hz, 1 second .....	1 operation
	200 A, 9 cycles .....	1 operation
Impulse Life .....	500 A, 10/1000 $\mu$ s .....	> 400 operations
DC Holdover Voltage <sup>(3)</sup> .....		< 150 ms
Operating Temperature .....		-30 to +85 °C
Storage Temperature .....		-40 to +115 °C
Climatic Category (IEC 60068-1) .....		40 / 90 / 21

### Notes:

- The 2061 Series is NOT intended for use as a surface mount component.
- UL Recognized component, UL File E313168.
- At delivery AQL 0.65, level II DIN ISO 2859

<sup>(2)</sup> DC Sparkover Voltage	IR Measuring Voltage
230–400 V	100 V
420–800 V	250 V

<sup>(3)</sup> Network Applied	DC Holdover Voltage
DC Sparkover Voltage	
230–250 V	135 V
300–800 V	150 V



**WARNING Cancer and Reproductive Harm**  
[www.P65Warnings.ca.gov](http://www.P65Warnings.ca.gov)

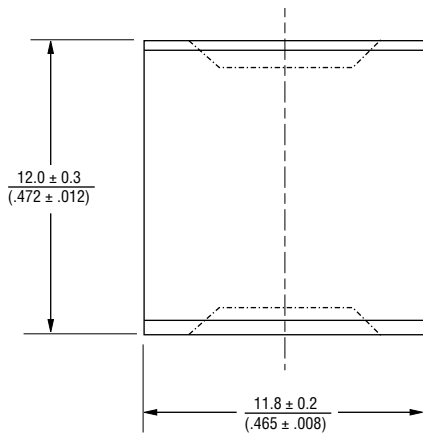
\*RoHS Directive 2015/863, Mar 31, 2015 and Annex.

Specifications are subject to change without notice. Users should verify actual device performance in their specific applications. The products described herein and this document are subject to specific legal disclaimers as set forth on the last page of this document, and at [www.bourns.com/docs/legal/disclaimer.pdf](http://www.bourns.com/docs/legal/disclaimer.pdf)

# 2061 Series High-Current 2-Electrode Gas Discharge Tube

**BOURNS®**

## Product Dimensions



DIMENSIONS:  $\frac{\text{MM}}{\text{(INCHES)}}$

## How to Order

Model Number Designator **2061 - xx - A LF**

Voltage (Divided by 10)

23 = 230 V	47 = 470 V
25 = 250 V	60 = 600 V
30 = 300 V	70 = 700 V
35 = 350 V	80 = 800 V
42 = 420 V	

Leads \_\_\_\_\_

A = No Leads

Packaging \_\_\_\_\_

(Blank) = Bulk Packaging - 60 pcs./tray (Standard)

RoHS Compliancy \_\_\_\_\_

LF = RoHS Compliant Product

## Packaging Specifications

Model 2061 ships standard bulk, 60 pcs. per tray.; 180 pcs. per box.

**BOURNS®**

Asia-Pacific: Tel: +886-2 2562-4117 • Email: asiacus@bourns.com

EMEA: Tel: +36 88 885 877 • Email: eurocus@bourns.com

The Americas: Tel: +1-951 781-5500 • Email: americus@bourns.com

[www.bourns.com](http://www.bourns.com)

REV. F 09/19

Specifications are subject to change without notice.

Users should verify actual device performance in their specific applications.

The products described herein and this document are subject to specific disclaimers as set forth on the last page of this document, and at [www.bourns.com/legal/disclaimer.pdf](http://www.bourns.com/legal/disclaimer.pdf).