




Features

- Size: 11.8 mm diameter, 12 mm length
- 60 kA surge rating
- High power handling
- Low leakage
- RoHS compliant*
-  UL Recognized

Applications

- Telecommunications equipment
- Industrial equipment/electronics

2061 Series High-Current 2-Electrode Gas Discharge Tube

Characteristics

Test Methods per ITU-T K.12 and IEC 61643-311.

Characteristic	Model No.				
	2061-23	2061-25	2061-30	2061-35	2061-42
DC Sparkover $\pm 20\%$ @ 100 V/s	230 V	250 V	300 V	350 V	420 V
Impulse Sparkover ⁽¹⁾					
100 V/ μ s	< 600 V	< 600 V	< 700 V	< 800 V	< 900 V
1000 V/ μ s	< 700 V	< 700 V	< 800 V	< 900 V	< 1000 V

Characteristic	Model No.			
	2061-47	2061-60	2061-70	2061-80
DC Sparkover $\pm 20\%$ @ 100 V/s	470 V	600 V	700 V	800 V
Impulse Sparkover ⁽¹⁾				
100 V/ μ s	< 900 V	< 1100 V	< 1200 V	< 1300 V
1000 V/ μ s	< 1100 V	< 1300 V	< 1400 V	< 1500 V

⁽¹⁾ Impulse Sparkover voltage is defined as typical values of distribution.

Insulation Resistance (IR) ⁽²⁾	100 / 250 Vdc	> 1 G Ω
Glow Voltage	10 mA	~ 70 V
Arc Voltage	1 A	~ 10 V
Glow-Arc Transition Current		< 1 A
Maximum Capacitance	1 MHz	< 10 pF
Maximum Impulse Discharge Current	60,000 A, 8/20 μ s	1 operation
	40,000 A, 8/20 μ s	5 operations
Nominal Alternating Discharge Current	40 A, 50 Hz, 1 second	1 operation
	200 A, 9 cycles	1 operation
Impulse Life	500 A, 10/1000 μ s	> 400 operations
DC Holdover Voltage ⁽³⁾		< 150 ms
Operating Temperature		-30 to +85 °C
Storage Temperature		-40 to +115 °C
Climatic Category (IEC 60068-1)		40 / 90 / 21

Notes:

- The 2061 Series is NOT intended for use as a surface mount component.
- UL Recognized component, UL File E313168.
- At delivery AQL 0.65, level II DIN ISO 2859

⁽²⁾ DC Sparkover Voltage	IR Measuring Voltage
230–400 V	100 V
420–800 V	250 V

⁽³⁾ Network Applied	DC Holdover Voltage
DC Sparkover Voltage	135 V
230–250 V	150 V
300–800 V	



WARNING Cancer and Reproductive Harm
www.P65Warnings.ca.gov

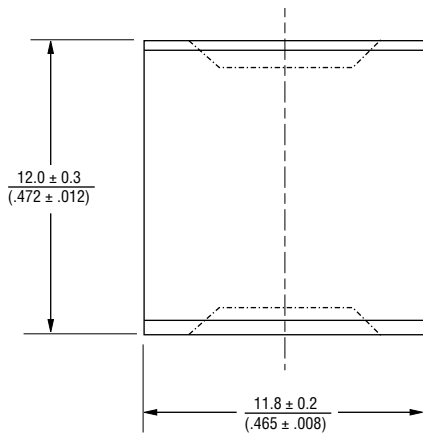
*RoHS Directive 2015/863, Mar 31, 2015 and Annex.

Specifications are subject to change without notice. Users should verify actual device performance in their specific applications. The products described herein and this document are subject to specific legal disclaimers as set forth on the last page of this document, and at www.bourns.com/docs/legal/disclaimer.pdf

2061 Series High-Current 2-Electrode Gas Discharge Tube

BOURNS®

Product Dimensions



DIMENSIONS: $\frac{\text{MM}}{\text{(INCHES)}}$

How to Order

Model Number Designator **2061 - xx - A LF**

Voltage (Divided by 10)
 23 = 230 V 47 = 470 V
 25 = 250 V 60 = 600 V
 30 = 300 V 70 = 700 V
 35 = 350 V 80 = 800 V
 42 = 420 V

Leads _____
 A = No Leads

Packaging _____
 (Blank) = Bulk Packaging - 60 pcs./tray (Standard)

RoHS Compliancy _____
 LF = RoHS Compliant Product

Packaging Specifications

Model 2061 ships standard bulk, 60 pcs. per tray.; 180 pcs. per box.

BOURNS®

Asia-Pacific: Tel: +886-2 2562-4117 • Email: asiacus@bourns.com

EMEA: Tel: +36 88 885 877 • Email: eurocus@bourns.com

The Americas: Tel: +1-951 781-5500 • Email: americus@bourns.com

www.bourns.com

REV. F 09/19

Specifications are subject to change without notice.

Users should verify actual device performance in their specific applications.

The products described herein and this document are subject to specific disclaimers as set forth on the last page of this document, and at www.bourns.com/legal/disclaimer.pdf.