

REVISIONS				
P	LTR	DESCRIPTION	DATE	APVD
	D I	REVISED	26FEB2014	BC RP
	E	REVISED PER ECO-19-009248	11JUL2019	AP SY

1. SEE RESTRICTED CUSTOMER DRAWING 2065917-R.

20


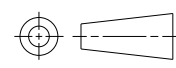
RELEASED FOR PUBLICATION

ALL RIGHTS RESERVED.

THIS DRAWING IS UNPUBLISHED.

BY -

© COPYRIGHT 20

DIMENSIONS: mm		DWN W SOURBEER 22FEB2010	MATERIAL -	FINISH SEE TABLE
TOLERANCES UNLESS OTHERWISE SPECIFIED:		CHK R PATTERSON 22FEB2010	 TE Connectivity	
0 PLC ±-		APVD R PATTERSON 22FEB2010		
1 PLC ±-		PRODUCT SPEC -	NAME HEADER ASSEMBLY, OPEN ENDED, 4 PAIR 10 COLUMN	
2 PLC ±-		APPLICATION SPEC -	SIZE A4	CAGE CODE 00779
3 PLC ±-		WEIGHT -	DRAWING NO C-2065917	RESTRICTED TO -
4 PLC ±-			SCALE 10:1	SHEET 1 OF 1
ANGLES ±-				REV E
		Customer Drawing		