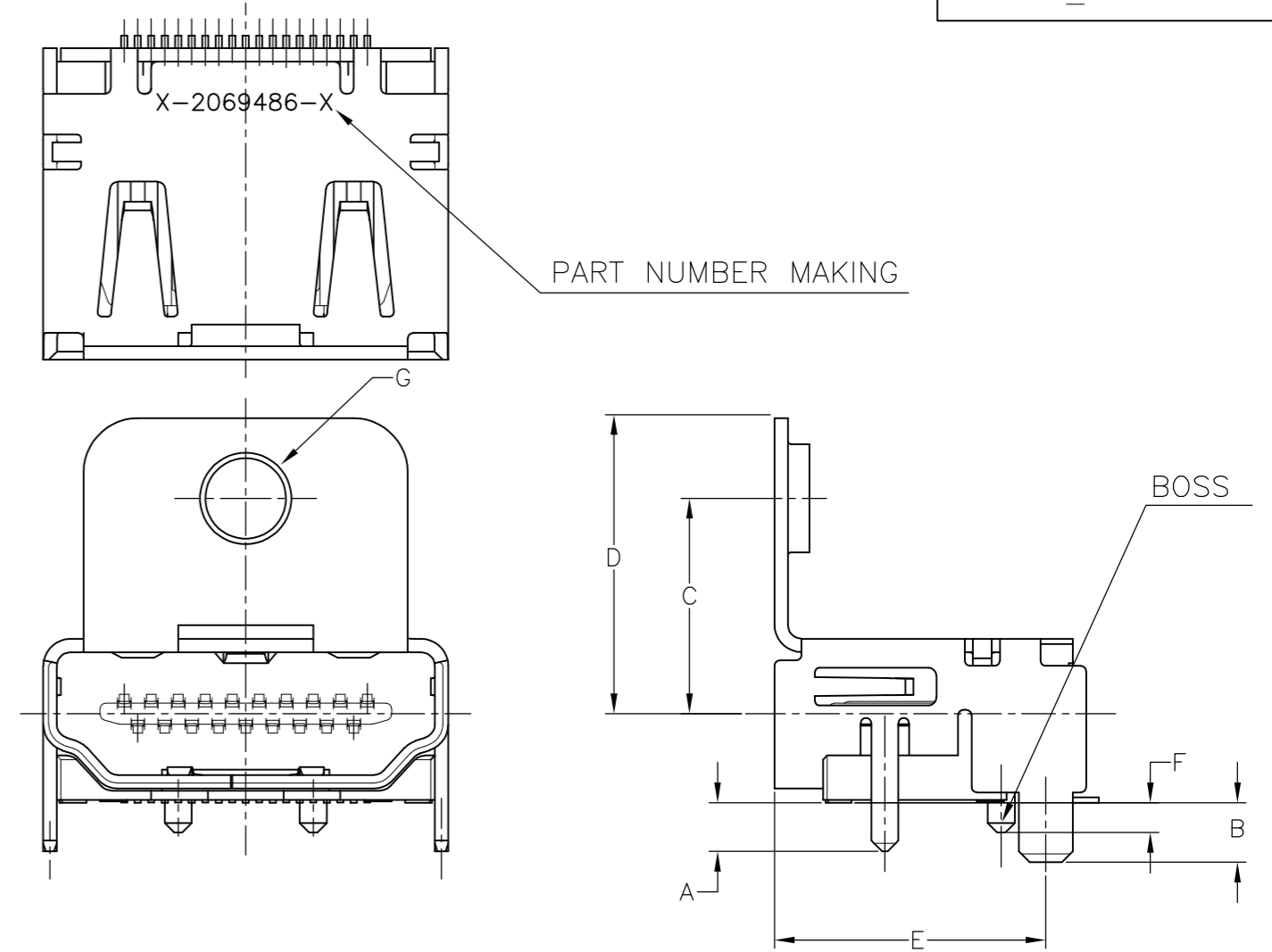


- △ PEELING RESISTANCE: 0.1 TO 0.7N
PEELING SPEED: 300mm/MINUTES
- 2 MATERIAL/ PARTS WHICH CONTAIN PROHIBITION SUBSTANCES WHICH ARE DESCRIBED IN THE TABLE 1 OF 4.2 ENVIROMENT RELATED SUBSTANCE CONTROL STANDARD ON 14-2.5.0.6, MUST NOT BE USED IN PRODUCT NOR MANUFACTURUNG PROCESS.
- 3 PART NUMBER MARKING



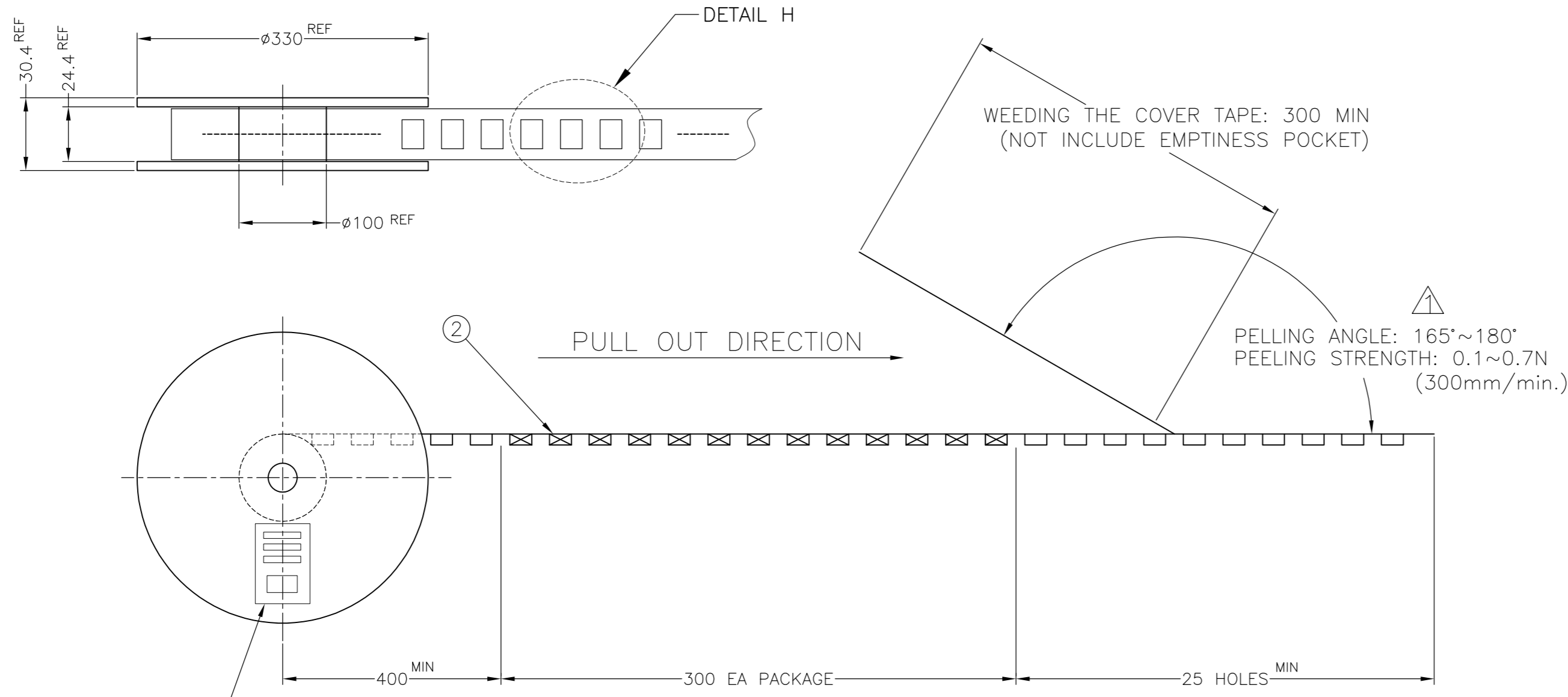
REFERENCE CONNECTOR DIMENSION

	SOFT TRAY REC				COVER TAPE		EMBOSS CARRIER TAPE			REC ASSEMBLY			ITEM	PART NUMBER	DISCRIPTION											
	8-912129-8	6-912129-8	3-912141-3	3-912103-5	972366-5	972366-3	1-912125-8	912125-8	4-912103-3	1-2069155-3	1-2069155-2	1-2069155-1				2069155-2	2069155-1									
	④				③		②			①																
NO MARKING	1											70			-	M3X0.5	-	10.05	10.95	7.98	2.2	1.8	WITHOUT BOSS	CLEAR TRAY	WITH FLANGE	2-2069486-1
NO MARKING					1		1					170			14.3	M3X0.5	-	10.05	10.95	7.98	1.5	1.5	WITHOUT BOSS	EMBOSS TAPE	WITH FLANGE	1-2069486-3
NO MARKING			1								70				-	#4-40 UNC	-	10.05	12.75	10-08	2.2	1.8	WITHOUT BOSS	SOFT TRAY	WITH FLANGE	1-2069486-2
NO MARKING			1								70				-	M3X0.5	-	10.05	10.95	7.98	1.5	1.5	WITHOUT BOSS	SOFT TRAY	WITH FLANGE	1-2069486-1
NO MARKING					1			1				300			-	-	-	10.05	-	-	1.5	1.5	WITHOUT BOSS	EMBOSS TAPE	WITHOUT FLANGE	2069486-2
OBSOLETE					1			1				300			-	-	-	10.05	-	-	2.2	1.8	WITHOUT BOSS	EMBOSS TAPE	WITHOUT FLANGE	2069486-1
△ P/N MARKING	QTY REQUIRED PER ASSY												DIM H	SCREW SIZE G	DIM F	DIM E	DIM D	DIM C	DIM B	DIM A	BOSS △	PACKING	CONNECTOR	PART NUMBER		

THIS DRAWING IS A CONTROLLED DOCUMENT.

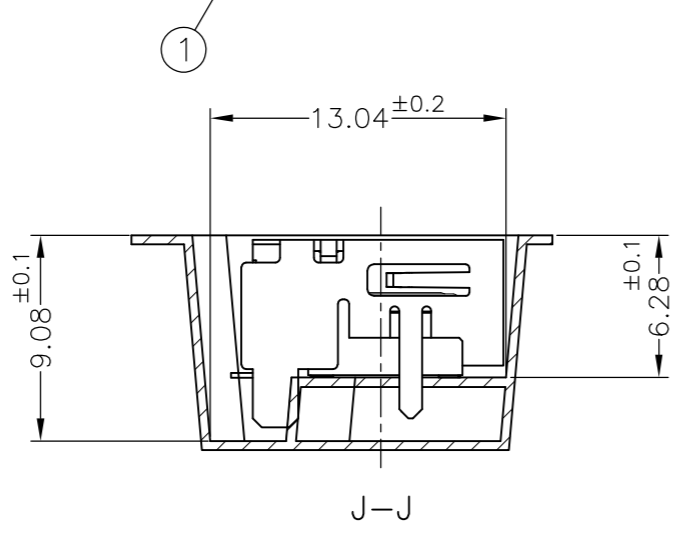
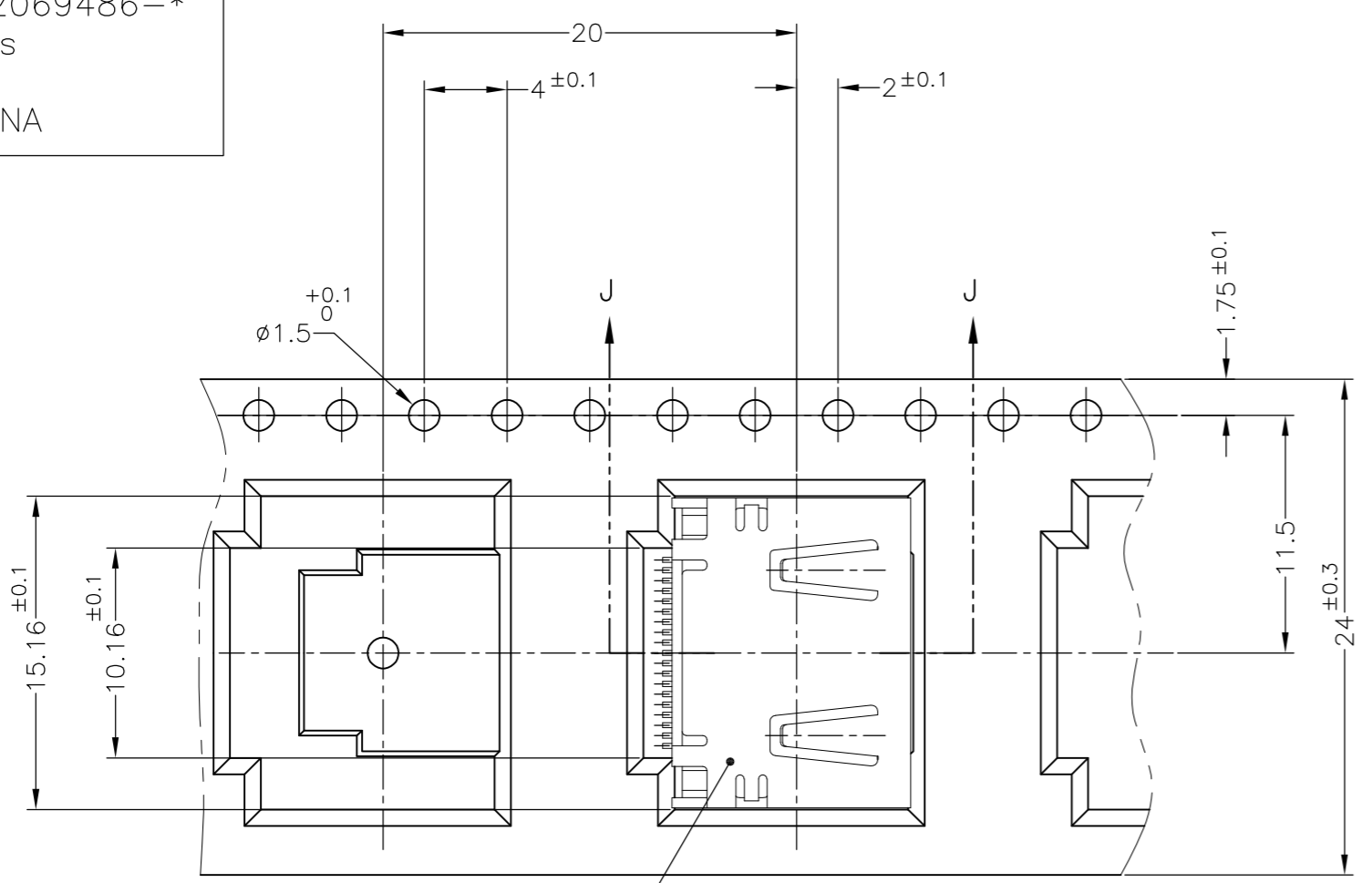
DWN Y.HARADA 09MAY2008	TE Connectivity EMBOSS PACKAGE AND TRAY PACKAGE HDMI RECEPTACLE SMT
CHK C.OHASHI 08MAY2008	
APVD Y.NAKAZAWA 08MAY2008	
NAME	
PRODUCT SPEC	RESTRICTED TO
APPLICATION SPEC	SIZE A2
WEIGHT	CAGE CODE 00779
CUSTOMER DRAWING	DRAWING NO C=2069486
SCALE NTS	SHEET 1 of 4
	REV A

2069486-1, 2069486-2; AS SHOWN



LABEL DESCRIPTION

TE P/N: *-2069486-*
QTY: 300 pcs
D/C: MADE IN CHINA



300	972366-3	4-912103-3	WITHOUT FLANGE TYPE P/N 2069155-2	2069486-2
300	972366-3	4-912103-3	WITHOUT FLANGE TYPE P/N 2069155-1	2069486-1
QTY	COVER TAPE ③	EMBOSS TAPE ②	CONNECTOR PART NUMBER ①	PART NUMBER

THIS DRAWING IS A CONTROLLED DOCUMENT.

DWN: Y.HARADA 09MAY2008
CHK: C.OHASHI 08MAY2008
APVD: Y.NAKAZAWA 08MAY2008

STE TE Connectivity

EMBOSS PACKAGE AND TRAY PACKAGE
HDMI RECEPTACLE SMT

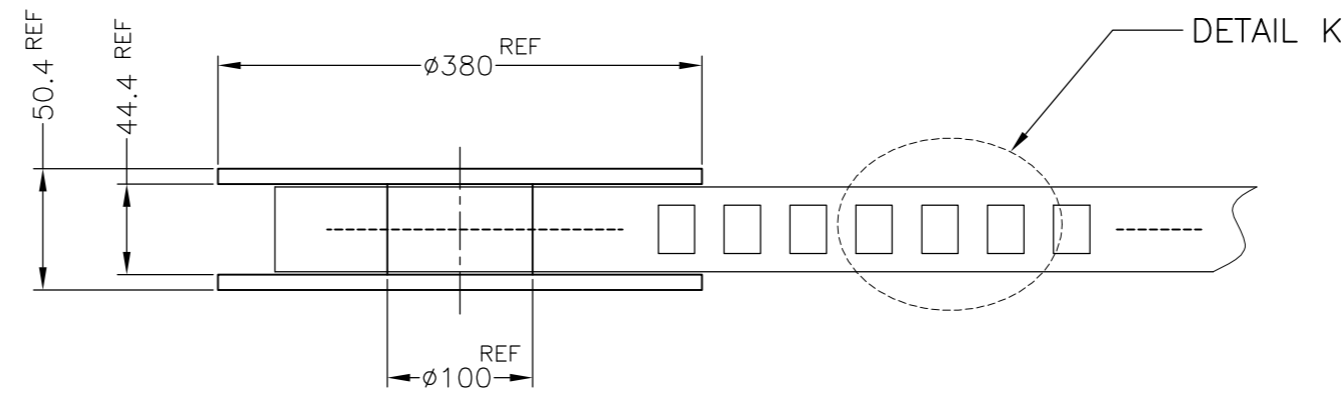
SIZE: A2 CAGE CODE: 00779 DRAWING NO: C=2069486 RESTRICTED TO: -

SCALE: NTS SHEET: 2 of 4 REV: A

CUSTOMER DRAWING

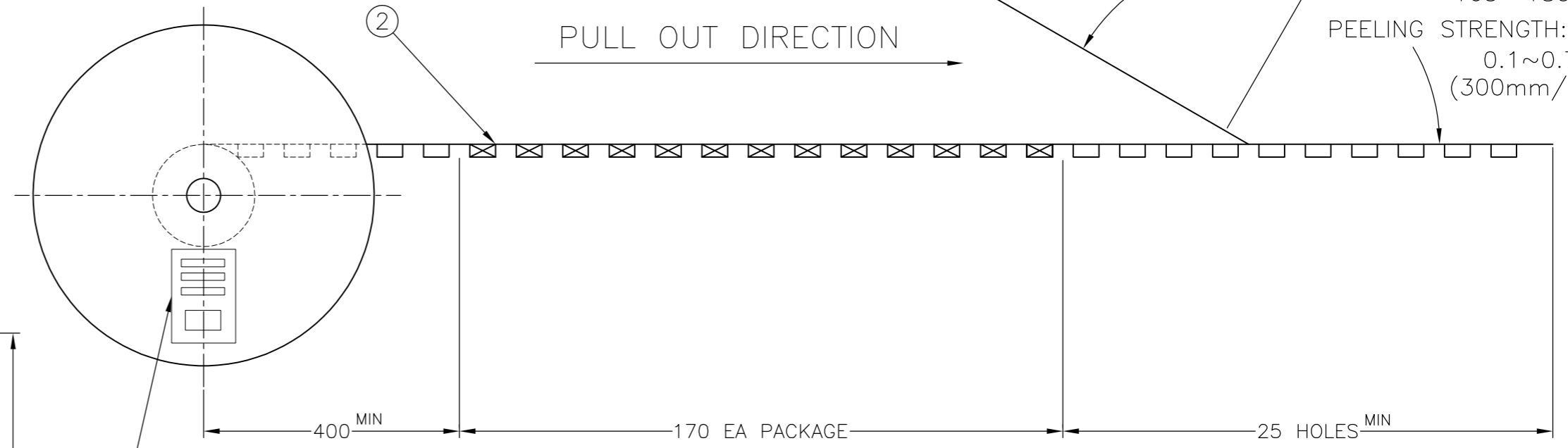
1-2069486-3: AS SHOWN

USED ON

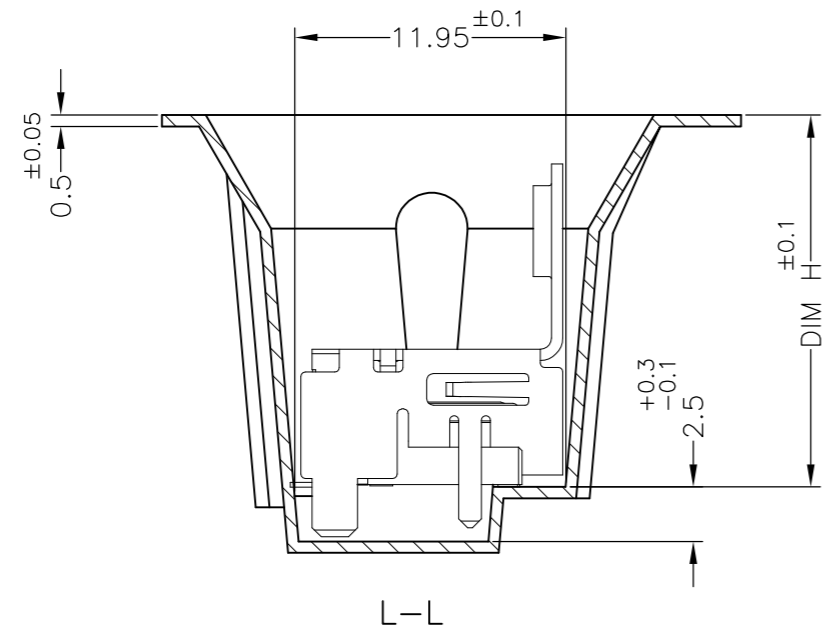
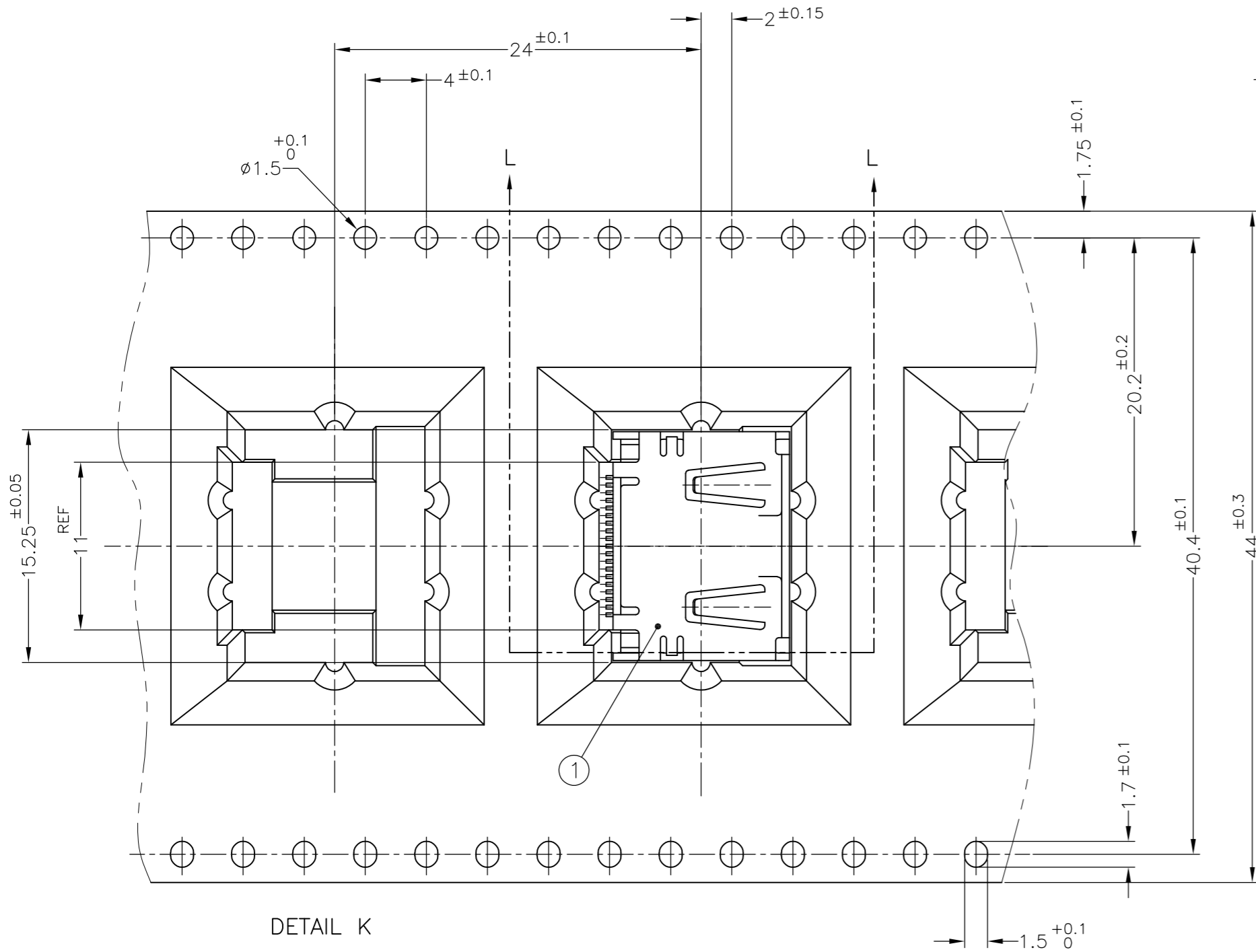


WEEDING THE COVER TAPE: 300 MIN
(NOT INCLUDE EMPTINESS POCKET)

PELLING ANGLE: 165°~180°
PEELING STRENGTH: 0.1~0.7N
(300mm/min.)



LABEL DESCRIPTION
TE P/N: *-2069486-*
QTY: 170 pcs
D/C: MADE IN CHINA



170	972366-5	1-912125-8	WITH FLANGE TYPE P/N 1-2069155-2	1-2069486-3
QTY	COVER TAPE ③	EMBOSS TAPE ②	CONNECTOR PART NUMBER ①	PART NUMBER
THIS DRAWING IS A CONTROLLED DOCUMENT.			DWN Y.HARADA 09MAY2008	TE Connectivity
DIMENSIONS: MM			CHK C.OHASHI 08MAY2008	
TOLERANCES UNLESS OTHERWISE SPECIFIED:			APVD Y.NAKAZAWA 08MAY2008	
0 PLC ± 0.2 1 PLC ± 0.2 2 PLC ± 0.2 3 PLC ± 0.2 4 PLC ± 0.2 ANGLES ± 2			NAME	EMBOSS PACKAGE AND TRAY PACKAGE HDMI RECEPTACLE SMT
MATERIAL			FINISH	SIZE A2
WEIGHT			APPLICATION SPEC	CAGE CODE 00779
CUSTOMER DRAWING			SCALE NTS	DRAWING NO C=2069486
RESTRICTED TO			WEIGHT	SHEET 3 of 4
REV A			SCALE NTS	REV A