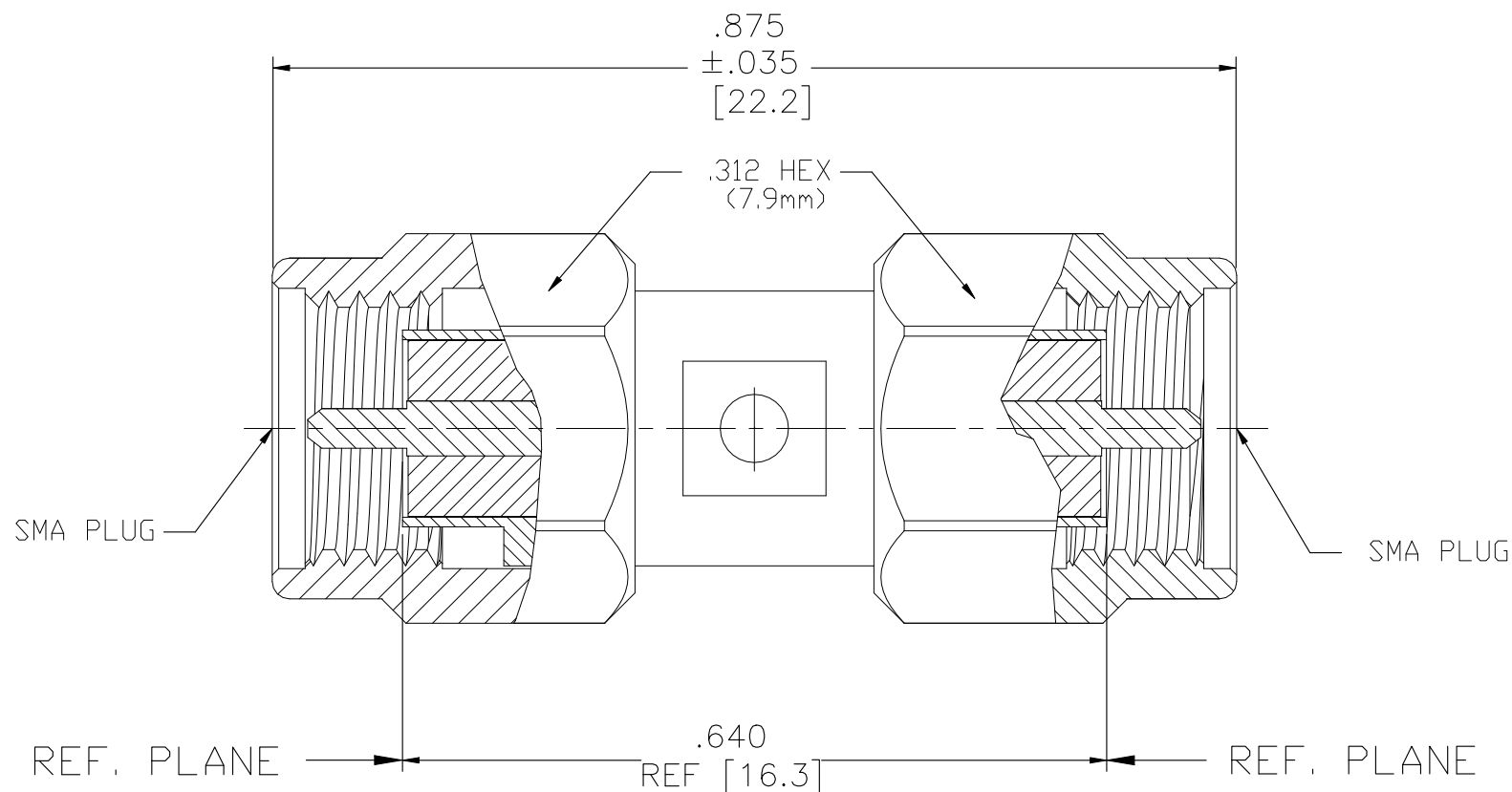


| P | LTR | DESCRIPTION | DATE | DWN | APVD |
|---|-----|---------------------------|-----------|-----|------|
| | B1 | REVISED PER ECR-21-103794 | 03JUN2021 | RS | WK |



| ELECTRICAL | MECHANICAL | ENVIRONMENTAL |
|--|--|---|
| Nominal Impedance (Ohms) <u>50</u> | Interface Dimensions MIL-STD-348 FIG 310.1 | TEMPERATURE RATING <u>-65°C TO 105°C</u> |
| Frequency Range (GHz) <u>DC to 18.0</u> | Recommended Mating | Vibration - MIL-STD-202, Method 204, Condition D |
| Volt Rating (VRMS MAX) <u>335</u> | Torque <u>7.0 to 10.0 In/Lbs</u> | Shock - MIL-STD-202, Method 213, Condition I |
| VSWR <u>1.05+006f(GHz) MAX</u> | Connector Engagement | Thermal shock MIL-STD-202, Method 107 Test Condition B |
| Insertion Loss (dB MAX) <u>.06 √f(GHz)</u> | Center Contact Captivation | EXCEPT HIGH TEMP 115°C |
| RF Leakage <u>-[60-f(GHz)]</u> | Axial <u>6.0 Lbs MIN</u> | Moisture Resistance - MIL-STD-202, Method 106, except Step 7b |
| Corona, 70,000 Ft (VRMS MIN) <u>250</u> | Radial <u>4.0 In/oz MIN</u> | (Vibration) shall be omitted |
| Dielectric Withstanding Voltage (VRMS MIN) <u>1000</u> | Weight (Grams) <u>4.7</u> | Corrosion - MIL-STD-202, Method 101, Condition B, 5% salt spray |
| Contact Resistance (Milliohms MAX) | | |
| Center Contact <u>4.0</u> | | |
| Outer Contact <u>2.0</u> | | |
| RF High Potential (VRMS MIN @ 5 MHz) <u>670</u> | | |
| I.R.(Megohms) <u>5000</u> | | |

.XXX = in
XX.X = mm

THIS DRAWING IS A CONTROLLED DOCUMENT.

| DIMENSIONS: INCHES | TOLERANCES UNLESS OTHERWISE SPECIFIED: |
|--------------------|--|
| | 0 PLC ± - |
| | 1 PLC ± - |
| | 2 PLC ± - |
| | 3 PLC ± .005 |
| | 4 PLC ± - |
| | ANGLES ± 1° |
| MATERIAL | FINISH |
| - | - |

| QUANTITY PER ASSY | PARTS LIST |
|-------------------|--|
| 2 | SILICONE RUBBER GASKET 6 |
| 2 | BeCu RETAINING RING 5 |
| 2 | PASSIVATE STAINLESS STEEL COUPLING NUT 4 |
| 1 | PASSIVATE STAINLESS STEEL HOUSING 3 |
| 1 | PTFE INSULATION 2 |
| 1 | Au BeCu CENTER CONTACT 1 |
| -1 | PLATING MATERIAL DESCRIPTION ITEM |

STE TE Connectivity

SMA PLUG TO PLUG ADAPTER

| | | | | | |
|------------------|---------|-----------|-----------|------------|---------------|
| DWN EJC 9/17/71 | NAME | SIZE | CAGE CODE | DRAWING NO | RESTRICTED TO |
| CHK PRB 9/17/71 | | | | | |
| APVD PB 9/17/71 | | | | | |
| PRODUCT SPEC | | | | | |
| APPLICATION SPEC | | | | | |
| WEIGHT - | A300779 | C-1053635 | | | |

CUSTOMER DRAWING SCALE 6:1 SHEET 1 OF 1 REV B1