

THIS DRAWING IS UNPUBLISHED.

RELEASED FOR PUBLICATION

20

LOC -

DIST -

REVISIONS

© COPYRIGHT 20 BY -

ALL RIGHTS RESERVED.

P

LTR

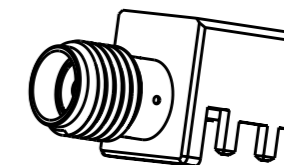
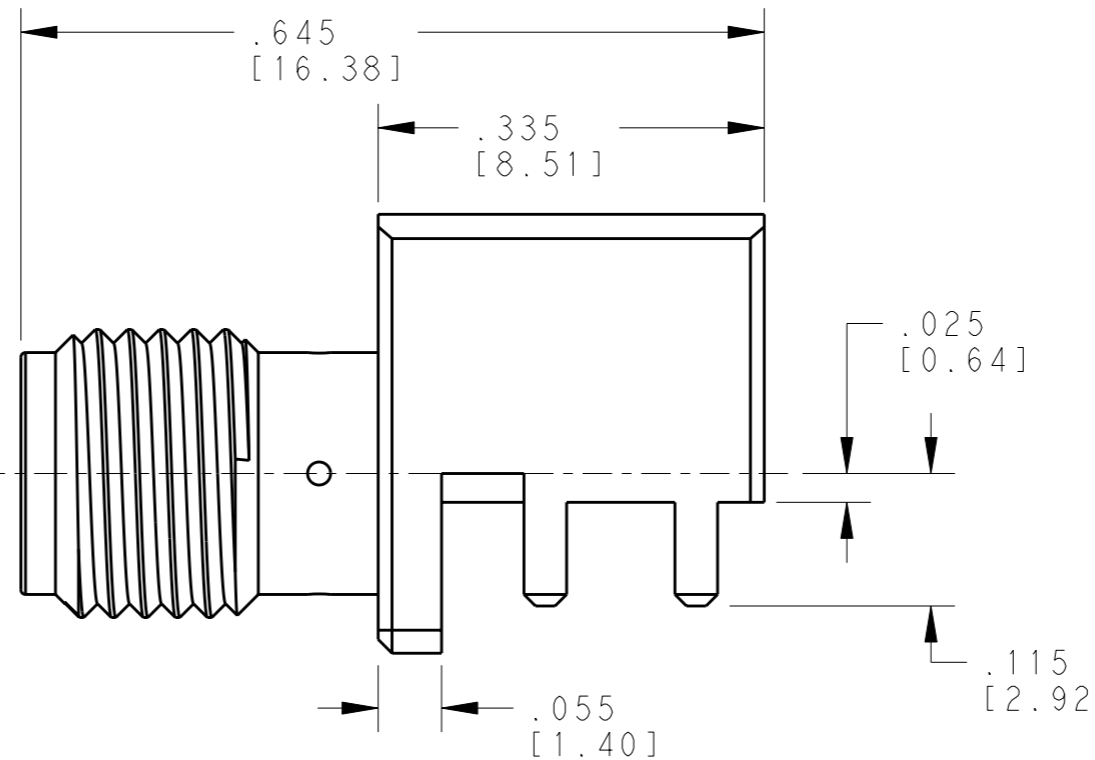
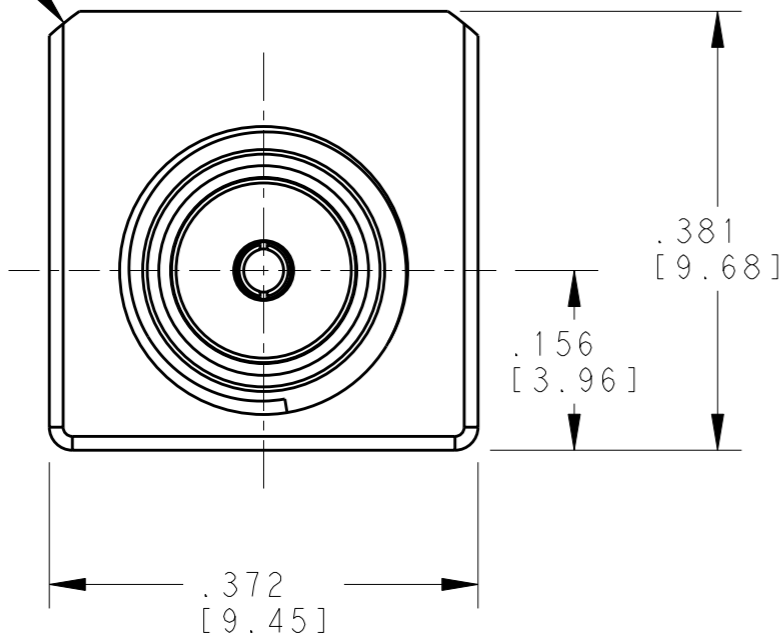
DESCRIPTION

DATE

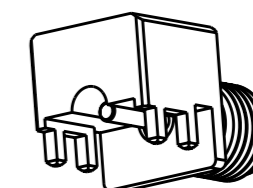
DWN

APVD

2XR.276
[7.01]



SCALE 2:1



SCALE 2:1

1/4-36UNS-2A
1ST AND LAST
THREAD CHAM 45°

2X.0715±.0050
[1.816±0.127]

2X.037
[0.94]

.071
[1.80]

∅.050
[1.27]

.037±.003
[0.94±0.07]

2X.094
[2.39]

2X.037
[0.94]

NOTES,

1. MATERIAL AND FINISH
HOUSING, ZINC ALLOY, BRIGHT TIN PLATE
CONTACT, BREYLLIUM COPPER ,GOLD PLATE
DIELECTRIC,PTFE

2. PACKAGE, SEE SHEET 2 FOR DETAIL

2081005-1

PART NO.

THIS DRAWING IS A CONTROLLED DOCUMENT.

DWN ANSON MA 24APR2011

CHK -

APVD MARTIN YF

PRODUCT SPEC

108-60095

APPLICATION SPEC

WEIGHT -

CUSTOMER DRAWING



TE Connectivity

NAME SMA JACK PCB CONN,EDGE MOUNT

-

-

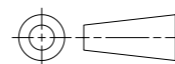
SIZE CAGE CODE DRAWING NO RESTRICTED TO

A300779 C-2081005 -

SCALE 6:1 SHEET 1 OF 2 REV A

DIMENSIONS:
INCHES[MM]

TOLERANCES UNLESS
OTHERWISE SPECIFIED:



0 PLC	±.
1 PLC	±.0
2 PLC	±.01
3 PLC	±.005
4 PLC	±.0000
ANGLES	±5

MATERIAL -

FINISH -

4

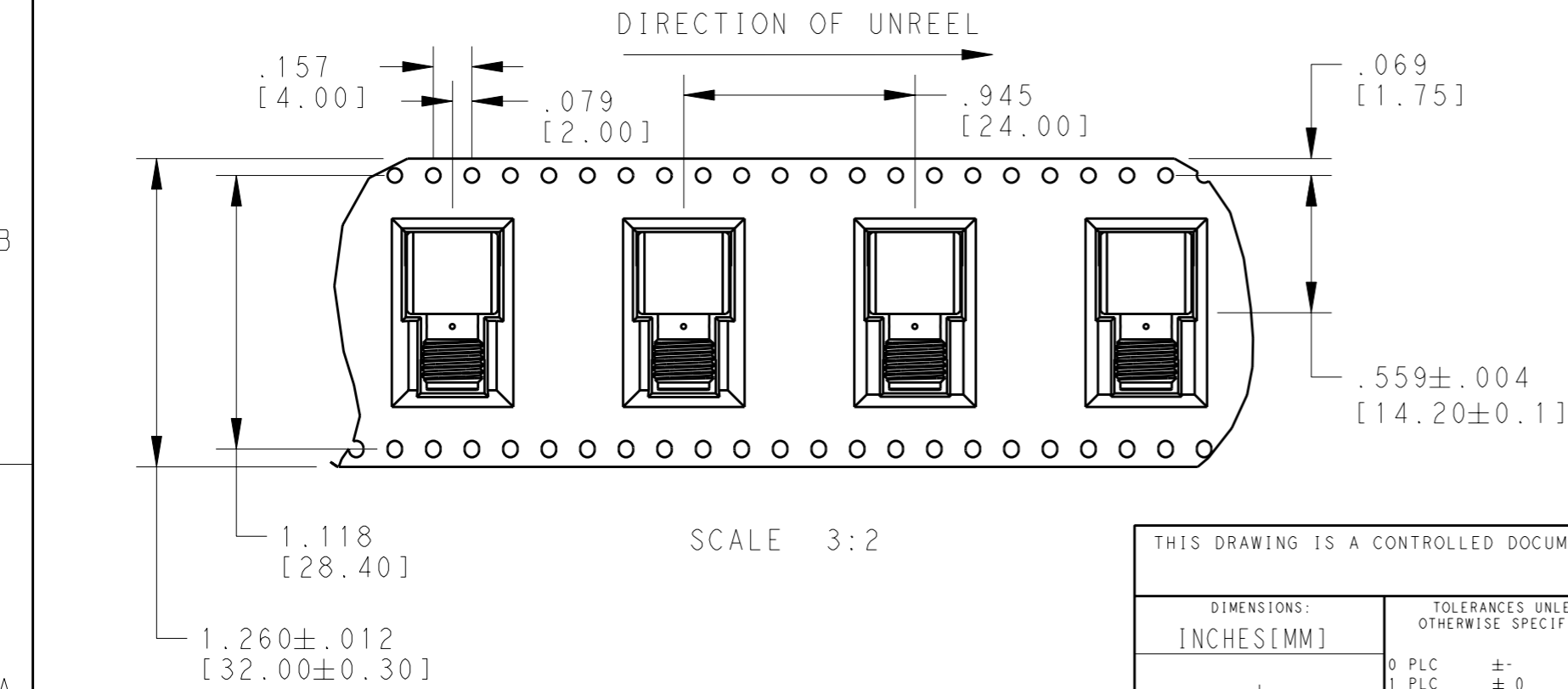
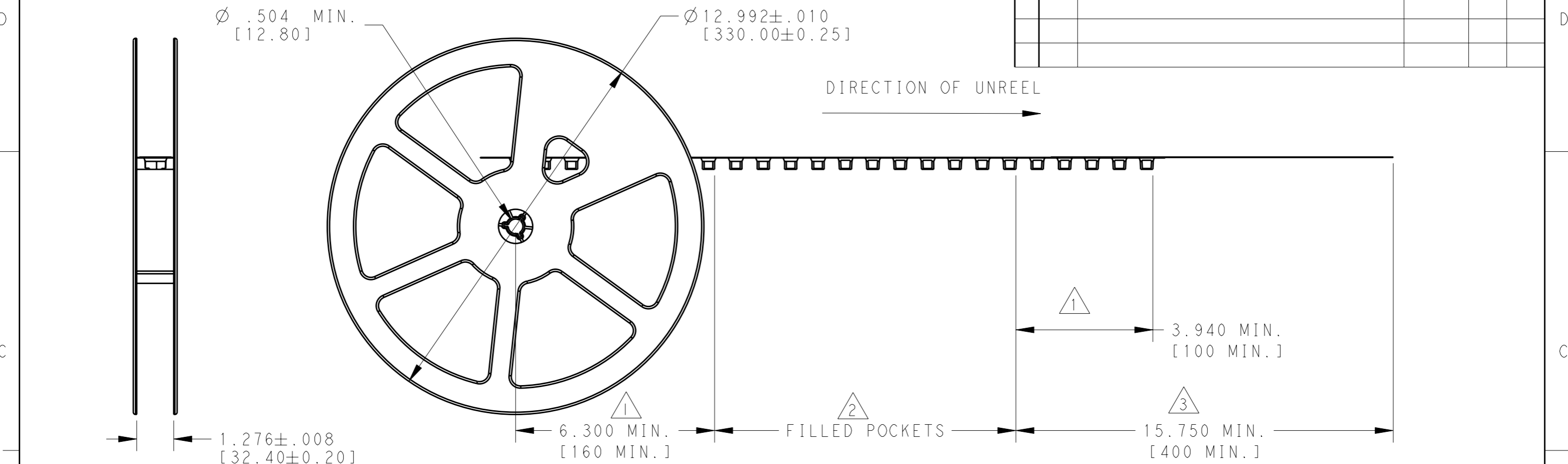
3

2

1


THIS DRAWING IS UNPUBLISHED. RELEASED FOR PUBLICATION 20
 © COPYRIGHT 20 BY - ALL RIGHTS RESERVED.

LOC		DIST		REVISIONS			
P	LTR	DESCRIPTION		DATE	DWN	APVD	
-	-	-	-	SEE SHEET 1	-	-	-



- NOTES;
- 1 LEADER AND TRAILER EMPTY POCKETS BUT SEALED WITH COVER TAPE
 - 2 250 FILLED POCKETS PER REEL @24MM PITCH, 1000 PCS PER CASE(4 REELS)
 - 3 COVER TAPE

SCALE 3:2

THIS DRAWING IS A CONTROLLED DOCUMENT.		DWN ANSON MA 24APR2011	 TE Connectivity	
DIMENSIONS: INCHES[MM]		CHK -		
TOLERANCES UNLESS OTHERWISE SPECIFIED:		APVD MARTIN YF 7JUL2011	NAME SMA JACK PCB CONN, EDGE MOUNT	
0 PLC ±-		PRODUCT SPEC 108-60095	-	
1 PLC ±.0		APPLICATION SPEC -	-	
2 PLC ±.01		WEIGHT -	SIZE A3	CAGE CODE 00779
3 PLC ±.005		CUSTOMER DRAWING	DRAWING NO C-2081005	RESTRICTED TO -
4 PLC ±.0000		SCALE 3:10	SHEET 2 OF 2	REV A
ANGLES ±5				
MATERIAL -	FINISH -			