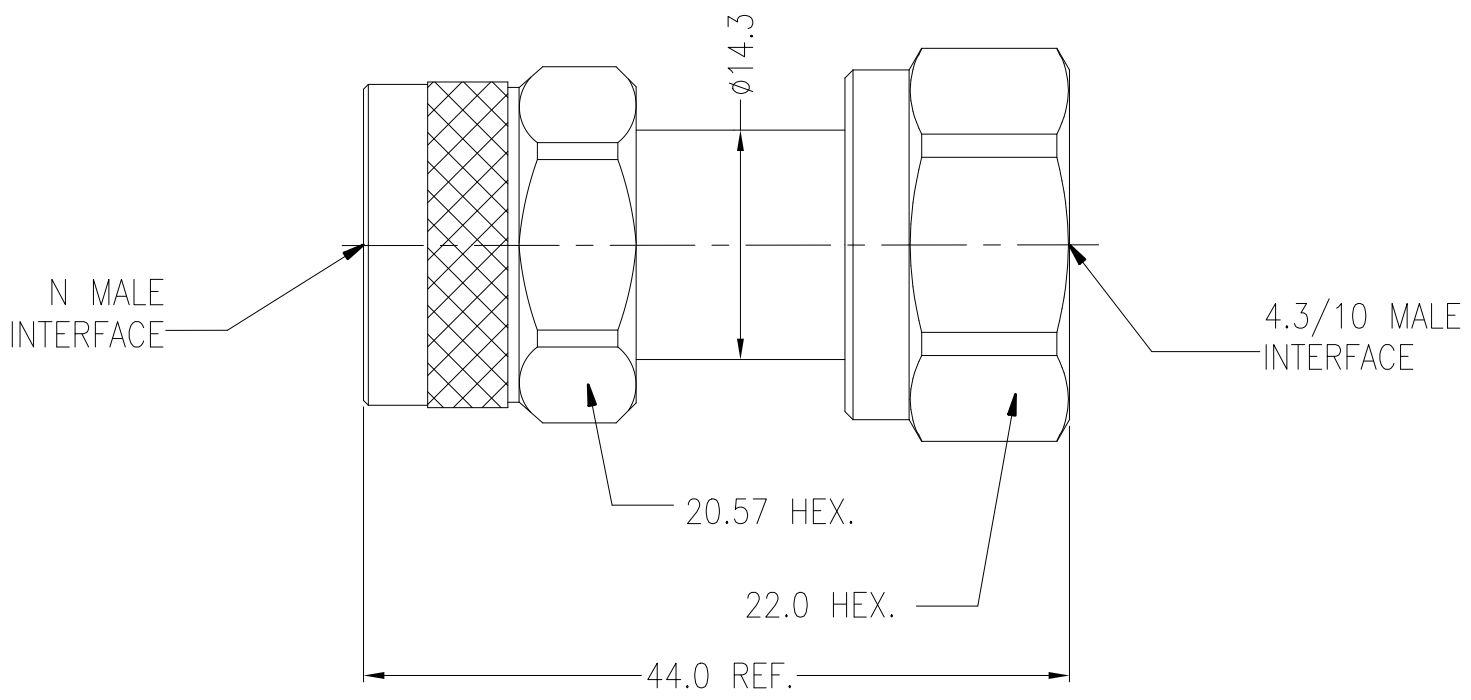


THIS DRAWING IS UNPUBLISHED. RELEASED FOR PUBLICATION AUGUST ,2006.
 © COPYRIGHT 2006 By - ALL RIGHTS RESERVED.

REVISIONS					
P	LTR	DESCRIPTION	DATE	DWN	APVD
	A2	ECO-19-002261	13FEB2019	RZ	RS

NOTES:
 1. PACK IN ACCORDANCE WITH TE SPEC 107-3275
 2. Ag PLATING: 200u"
 3. CuZnSn PLATING: 80u"
 4. ALL DIMENSIONS ARE NOMINAL FOR REFERENCE ONLY UNLESS OTHERWISE STATED



ELECTRICAL	MECHANICAL	ENVIRONMENTAL
Frequency Range (GHz) DC to 6GHz	Recommended coupling Torque 9-14 in-lbs(N) 44 in-lbs(4.3/10)	Temperature Rating -40°C TO +85°C
Voltage Rating (Peak) @ Sea Level 500 V RMS	Mating cycles 500 cycles	
Insulation Resistance (MIN.) 5000 M ohms	Center contact retention force 6 lbs MIN	
Contact Resistance (Milliohms MAX) Center Contact 1.0 Outer Contact 0.4	VSWR: 1.15 Max @ DC-- 6 GHz	
Dielectric Withstand Voltage: 1000 V RMS Max	Power handling: 300W@2GHz @90°C	
Insertion Loss : 0.1*vF(GHz) dB	3rd Intermodulation: <-160dBc@2X43dBm 900MHz/1800MHz	

QUANTITY PER ASSY	PARTS LIST
2	PVC/PE (BLACK/BLUE) DUST CAP 4
1	POLYSTYRENE INSULATION 3
1	BRASS CENTER CONTACT 2
1	BRASS BODY/SHELL 1
-1	MATERIAL DESCRIPTION ITEM

THIS DRAWING IS A CONTROLLED DOCUMENT.

DWN ED	13JUN 2018
CHK BW	13JUN 2018
APVD RS	13JUN 2018
PRODUCT SPEC	-
APPLICATION SPEC	-
WEIGHT	0.000000
CUSTOMER DRAWING	

DIMENSIONS: mm	TOLERANCES UNLESS OTHERWISE SPECIFIED:
	0 PLC ± -
	1 PLC ± 0.2
	2 PLC ± 0.1
	3 PLC ± -
	4 PLC ± -
	ANGLES ± - ± -
MATERIAL SEE TABLE	FINISH -

STE TE Connectivity

NAME: ADAPTER
N Male to 4.3/10 Male

SIZE	CAGE CODE	DRAWING NO	RESTRICTED TO
A3	00779	C=2081558	-
SCALE 3:1		SHEET 1 of 1	REV A2