

THIS DRAWING IS UNPUBLISHED.

RELEASED FOR PUBLICATION AUGUST ,2006.

REVISIONS

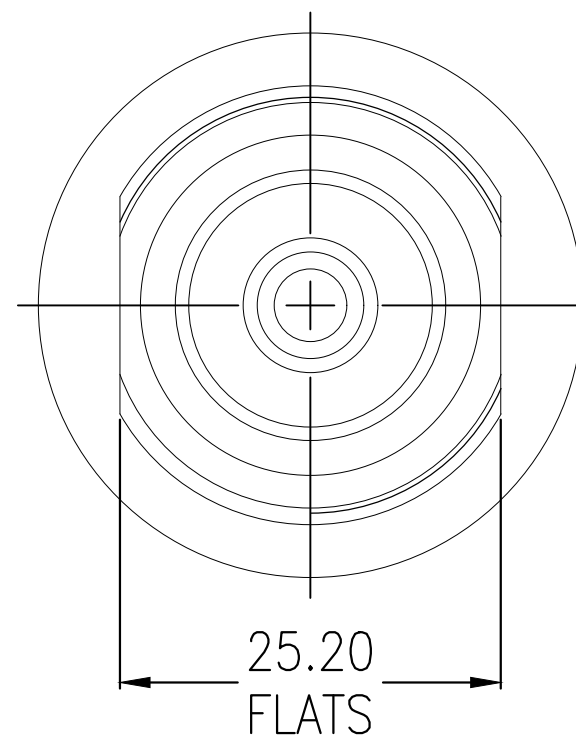
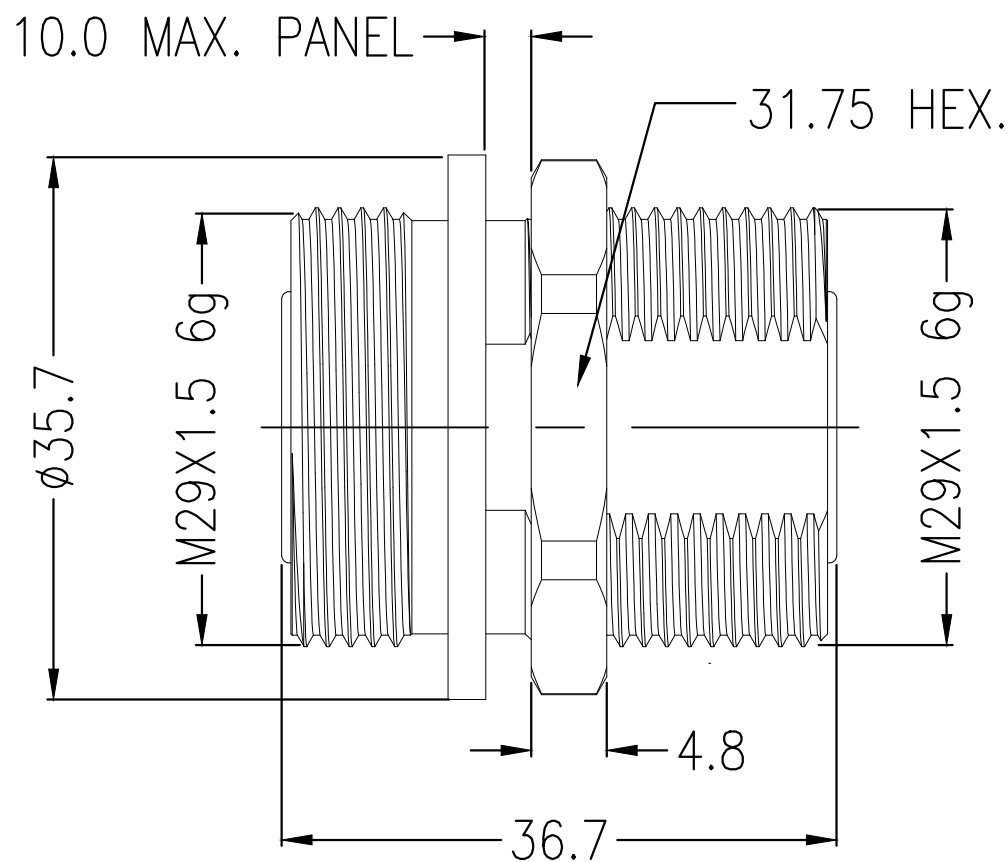
© COPYRIGHT 2006 By -

ALL RIGHTS RESERVED.

P	LTR	DESCRIPTION	DATE	DWN	APVD
	A1	ECR-18-012908	15AUG2018	RZ	RS

NOTES:

- 1 PACK IN ACCORDANCE WITH TE SPEC 107-3275
- 2 CuZnSn PLATING: 80u"
- 3 Ag PLATING: 200u"
- 4 ALL DIMENSIONS ARE NOMINAL FOR REFERENCE ONLY UNLESS OTHERWISE STATED



ELECTRICAL	MECHANICAL	ENVIRONMENTAL
Frequency Range (GHz) DC to 6GHz	Recommended Coupling Torque N/A	Temperature Rating -55°C TO +125°C
Voltage Rating (Peak) @ Sea Level 1000 V RMS	Mating cycles 500 cycles	
Insulation Resistance (MIN.) 5000 M ohms	Center contact retention force 45 lbs MIN	
Contact Resistance (Milliohms MAX) Center Contact 1.5 Outer Contact 0.4	VSWR: 1.10 Max @ DC-- 6 GHz	
Dielectric Withstand Voltage: 3000 V RMS Max	Power handling: N/A	
Insertion Loss : 0.1*√F(GHz) dB	3rd Intermodulation: <-160dBc@2X43dBm 900MHz/1800MHz	

THIS DRAWING IS A CONTROLLED DOCUMENT.		DWN ED 13JUN 2018
DIMENSIONS: mm		CHK BW 13JUN 2018
TOLERANCES UNLESS OTHERWISE SPECIFIED:		APVD RS 13JUN 2018
0 PLC ± -		PRODUCT SPEC
1 PLC ± 0.2		APPLICATION SPEC
2 PLC ± 0.1		WEIGHT 0.000000
3 PLC ± -		CUSTOMER DRAWING
4 PLC ± -		
ANGLES ± -		
FINISH -		
MATERIAL SEE TABLE		

QUANTITY PER ASSY	MATERIAL	DESCRIPTION	ITEM
2	PVC (BLACK)	DUST CAP	5
1	BRASS	SHELL	4
1	PTFE	INSULATION	3
1	PHOSPHOR BRONZE	CENTER CONTACT	2
1	BRASS	BODY	1
-1			

<b>STE</b> TE Connectivity			
NAME ADAPTER 7/16 Female to 7/16 Female, low PIM			
SIZE	CAGE CODE	DRAWING NO	RESTRICTED TO
A3	00779	C-2081559	-
SCALE 2:1		SHEET 1 OF 1	REV A1