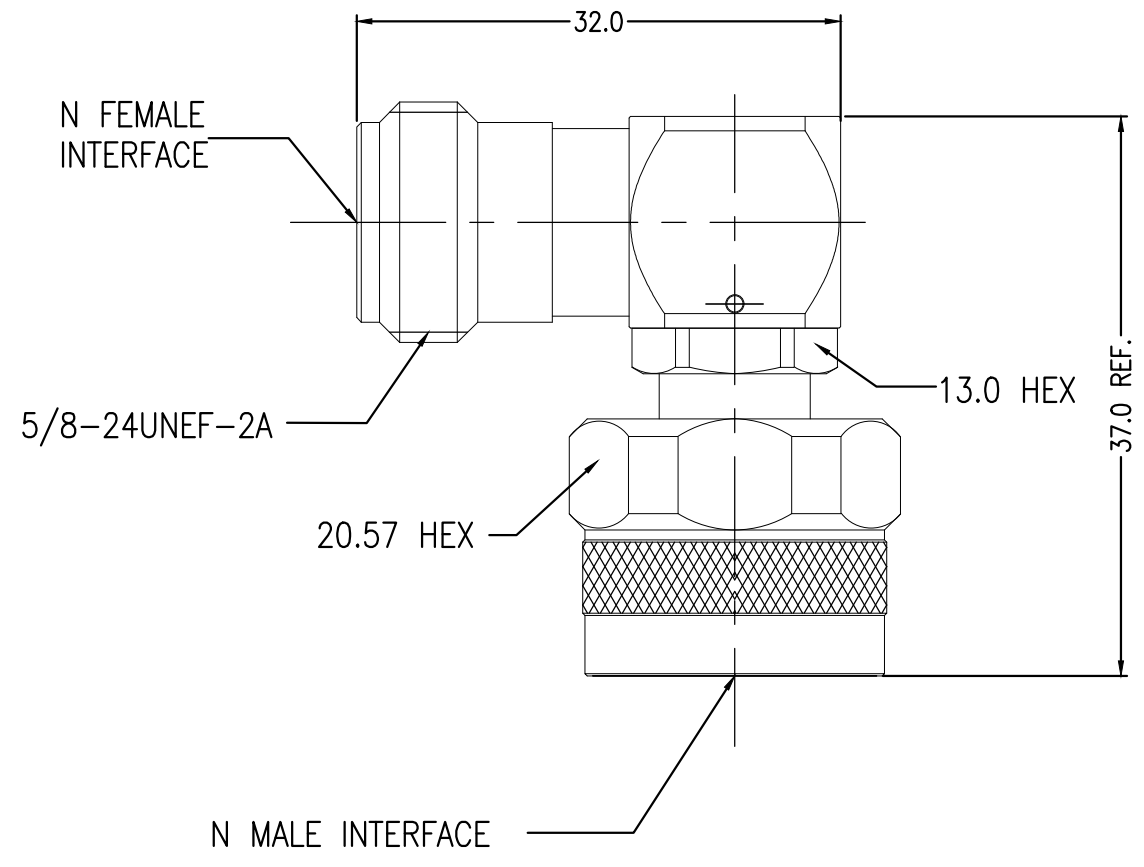


THIS DRAWING IS UNPUBLISHED. RELEASED FOR PUBLICATION AUGUST ,2006.
 © COPYRIGHT 2006 By - ALL RIGHTS RESERVED.

REVISIONS					
P	LTR	DESCRIPTION	DATE	DWN	APVD
	A1	ECR-18-012908	15AUG2018	RZ	RS

- NOTES:
- 1 PACK IN ACCORDANCE WITH TE SPEC 107-3275
 - 2 Au PLATING: 10u"
 - 3 NI PLATING: 200u"
 - 4 ALL DIMENSIONS ARE NOMINAL FOR REFERENCE ONLY UNLESS OTHERWISE STATED



ELECTRICAL	MECHANICAL	ENVIRONMENTAL
Frequency Range (GHz) DC to 15GHz	Recommended Coupling Torque 9-14 in-lbs	Temperature Rating -55°C TO +125°C
Voltage Rating (Peak) @ Sea Level 500 V RMS	Mating cycles 500 cycles	
Insulation Resistance (MIN.) 5000 M ohms	Center contact retention force 6 lbs MIN	
Contact Resistance (Milliohms MAX) Center Contact 1.0 Outer Contact 0.4	VSWR: 1.25 Max @ DC-- 15 GHz	
Dielectric Withstand Voltage: 1500 V RMS Max	RF leakage: N/A	
Insertion Loss : 0.1*√F(GHz) dB	3rd Intermodulation: N/A	

THIS DRAWING IS A CONTROLLED DOCUMENT.		DWN ED 13JUN 2018
DIMENSIONS: mm		CHK BW 13JUN 2018
TOLERANCES UNLESS OTHERWISE SPECIFIED:		APVD RS 13JUN 2018
0 PLC ± -	1 PLC ± 0.2	PRODUCT SPEC -
2 PLC ± 0.1	3 PLC ± -	APPLICATION SPEC -
4 PLC ± -	ANGLES ± -	WEIGHT 0.000000
MATERIAL SEE TABLE	FINISH -	CUSTOMER DRAWING

QUANTITY PER ASSY	PARTS LIST
2	PE (BLUE) DUST CAP 4
1	PTFE INSULATION 3
1	BRASS&BECU ² CENTER CONTACT 2
1	BRASS ³ BODY/SHELL 1
-1	MATERIAL DESCRIPTION ITEM

STE TE Connectivity			
NAME ADAPTER N Male to N Female Right Angle			
SIZE	CAGE CODE	DRAWING NO	RESTRICTED TO
A3	00779	C-2081561	-
SCALE 2:1		SHEET 1 OF 1	REV A1