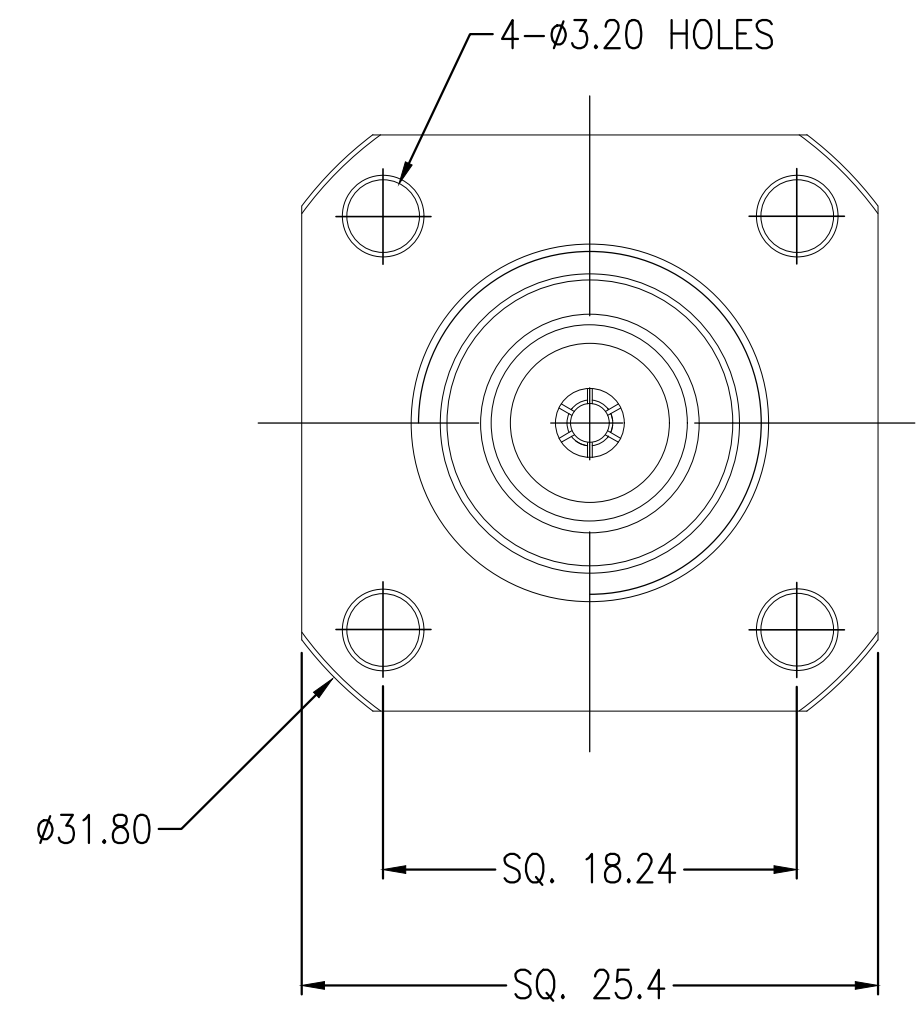
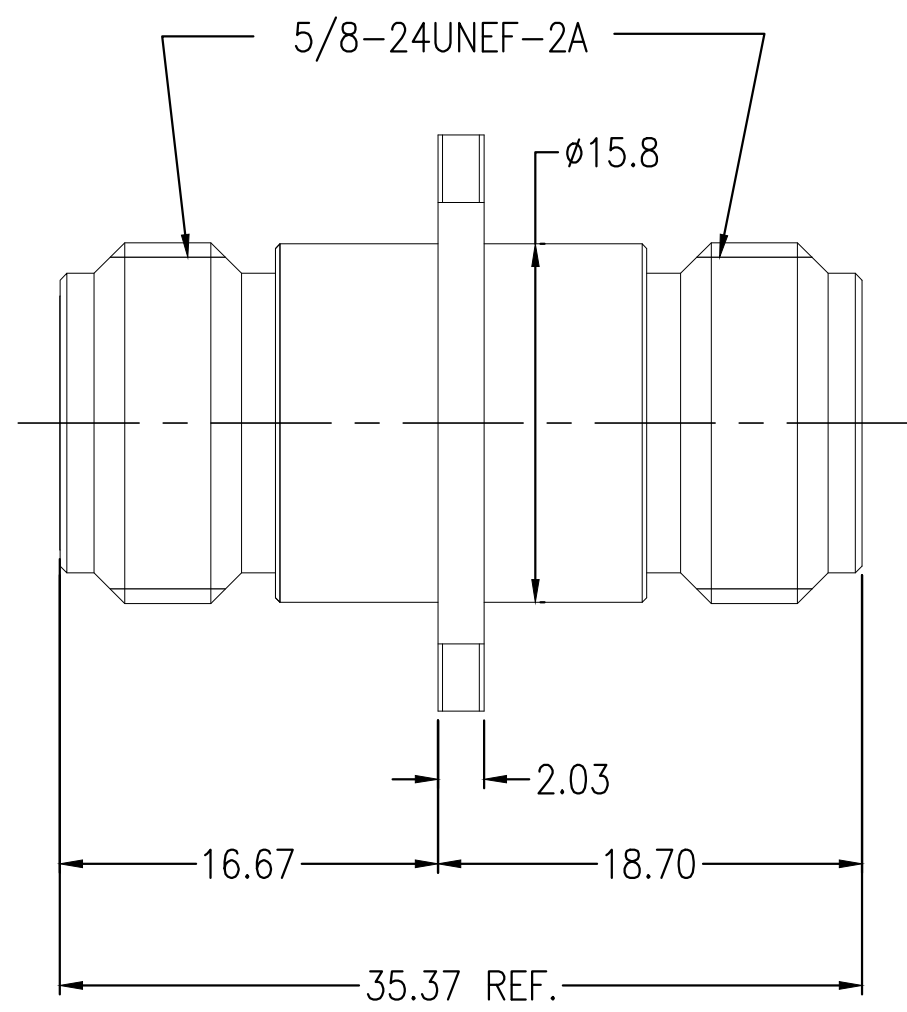


THIS DRAWING IS UNPUBLISHED. RELEASED FOR PUBLICATION AUGUST ,2006.
 © COPYRIGHT 2006 By - ALL RIGHTS RESERVED.

REVISIONS					
P	LTR	DESCRIPTION	DATE	DWN	APVD
	A1	ECR-18-012908	15AUG2018	RZ	RS

- NOTES:
- 1 PACK IN ACCORDANCE WITH TE SPEC 107-3275
 - 2 Au PLATING: 50u"
 - 3 Passivation
 - 4 ALL DIMENSIONS ARE NOMINAL FOR REFERENCE ONLY UNLESS OTHERWISE STATED



ELECTRICAL	MECHANICAL	ENVIRONMENTAL
Frequency Range (GHz) DC to 18GHz	Recommended Coupling Torque N/A	Temperature Rating -40°C TO +85°C
Voltage Rating (Peak) @ Sea Level 500 V RMS	Mating cycles 500 cycles	
Insulation Resistance (MIN.) 5000 M ohms	Center contact retention force 6 lbs MIN	
Contact Resistance (Milliohms MAX) Center Contact 1.0 Outer Contact 0.4	VSWR: 1.2 Max @ DC-- 18 GHz	
Dielectric Withstand Voltage: 1000 V RMS Max	RF leakage: N/A	
Insertion Loss : 0.1*√F(GHz) dB	3rd Intermodulation: N/A	

THIS DRAWING IS A CONTROLLED DOCUMENT.

DIMENSIONS: mm	TOLERANCES UNLESS OTHERWISE SPECIFIED:
	0 PLC ± -
	1 PLC ± 0.2
	2 PLC ± 0.1
	3 PLC ± -
	4 PLC ± -
	ANGLES ± -
MATERIAL SEE TABLE	FINISH -

DWN	ED	13JUN 2018
CHK	BW	13JUN 2018
APVD	RS	13JUN 2018
PRODUCT SPEC	-	
APPLICATION SPEC	-	
WEIGHT	0.000000	
CUSTOMER DRAWING		

QUANTITY PER ASSY	MATERIAL	DESCRIPTION	ITEM
2	PVC (BLACK)	DUST CAP	4
1	PEI	INSULATION	3
1	BECU	△2 CENTER CONTACT	2
1	STEEL	△3 BODY	1
-1			
△			

STE TE Connectivity

NAME: ADAPTER
N Female to N Female
4 Hole Flange-Mounting Hole A05

SIZE	CAGE CODE	DRAWING NO	RESTRICTED TO
A3	00779	C-2081563	-

SCALE: 3:1 SHEET: 1 OF 1 REV: A1