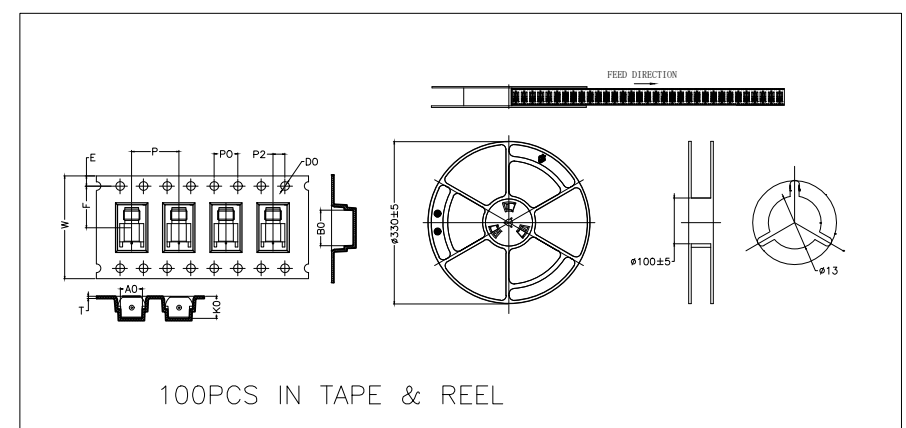
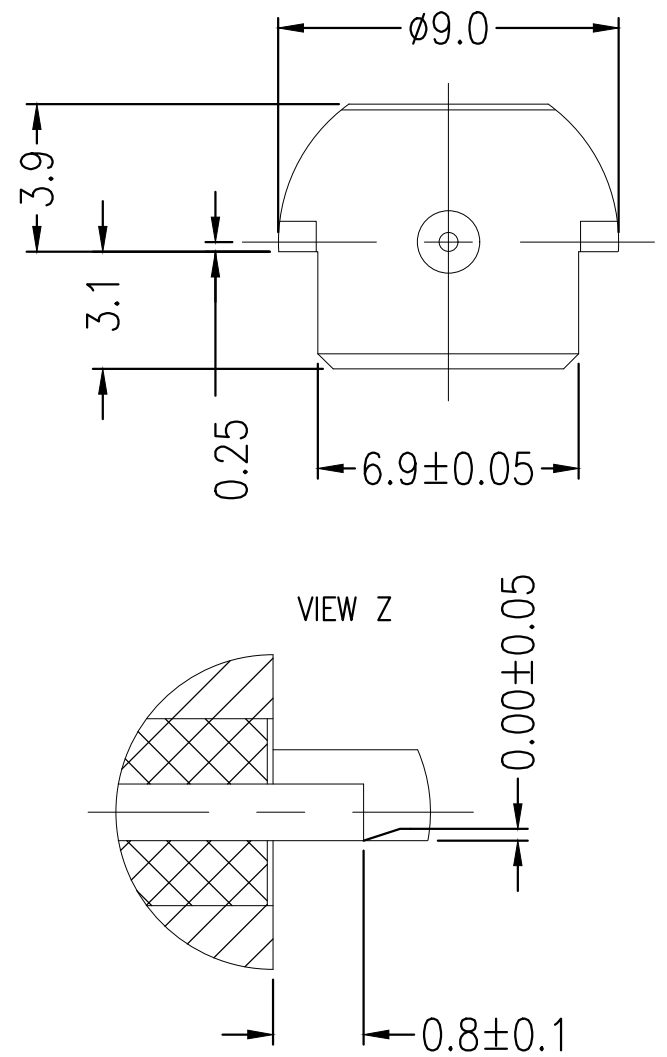
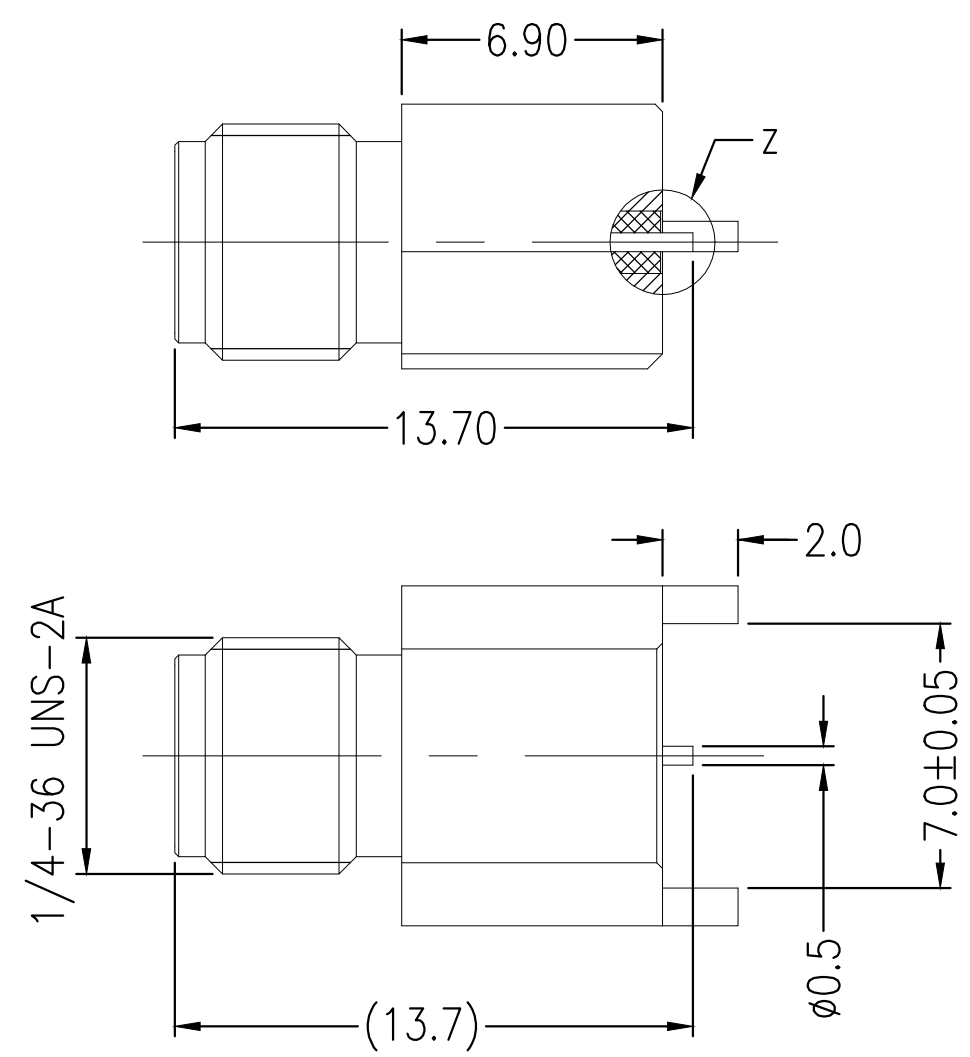


THIS DRAWING IS UNPUBLISHED. RELEASED FOR PUBLICATION
 © COPYRIGHT - TE Connectivity Ltd. ALL RIGHTS RESERVED.

| P | LTR | DESCRIPTION | DATE | DWN | APVD |
|---|-----|---------------------------|-----------|-----|------|
| | A1 | REVISED PER ECR-20-000664 | 15JAN2020 | RZ | RS |



| symbol | AO | BO | KO | PO | P | P2 |
|--------|-----------|------------|-----------|-----------|-----------|-----------|
| Spec | 7.20±0.10 | 15.20±0.10 | 7.30±0.10 | 4.00±0.10 | 16.0±0.10 | 2.00±0.10 |
| symbol | W | T | E | F | DO | |
| Spec | 32.0±0.30 | 0.40±0.05 | 1.75±0.10 | 14.2±0.10 | 1.50±0.10 | |

- NOTES:
- PACK IN ACCORDANCE WITH TE SPEC 107-3275
 - ALL DIMENSIONS ARE NOMINAL FOR REFERENCE ONLY UNLESS OTHERWISE STATED

| ELECTRICAL | MECHANICAL | ENVIRONMENTAL |
|---|---|--|
| Impedance (Ohm) <u>50</u> | Interface Dimension MIL-STD-348B Fig. <u>323-2</u> | TEMPERATURE RANGE <u>-55°C TO + 125°C</u> |
| Frequency Range (GHz) <u>DC to 40GHz</u> | Recommended Coupling Torque <u>7 to 10 In-Lbs</u> | THERMAL SHOCK <u>MIL-STD-202, METH.107, COND.B</u> |
| Voltage Rating (Peak) <u>@ Sea Level 250 V RMS</u> | Force to Engage and Disengage (In/lbs) <u>2.0 MAX</u> | CORROSION <u>MIL-STD-202, METH.101, COND.B</u> |
| Insulation Resistance (MIN.) <u>5000 M ohms</u> | Center Contact Captivation Axial (Lbs) <u>6.0</u> Radial (In/Oz) <u>N/A</u> | VIBRATION <u>MIL-STD-202, METH.204, COND.D</u> |
| Contact Resistance (Milliohms MAX) Center Contact <u>3.0</u> Outer Contact <u>2.0</u> | Cable Retention Axial (Lbs) <u>N/A</u> | SHOCK <u>MIL-STD-202, METH.213, COND.I</u> |
| Dielectric Withstand Voltage: <u>500 V RMS Max</u> | Mating cycles <u>500 cycles</u> | MOISTURE RESISTANCE <u>MIL-STD-202, METH.106</u> |
| Insertion Loss : <u>0.1*SQRT(F) dB</u> | | ROHS <u>COMPLIANT</u> |
| VSWR: <u>1.5 MAX (GHz)</u> | | |
| RF leakage: <u>N/A</u> | | |
| 3rd Intermodulation: <u>N/A</u> | | |

| QUANTITY PER ASSY | PARTS LIST |
|-------------------|-----------------------------------|
| 1 | PVC (BLACK) DUST CUP 5 |
| 1 | PTFE INSULATION 4 |
| 1 | Au BRASS OUTER CONTACT 3 |
| 1 | PEI INSULATION 2 |
| 1 | Au BeCu CENTER CONTACT 1 |
| -1 | PLATING MATERIAL DESCRIPTION ITEM |

THIS DRAWING IS A CONTROLLED DOCUMENT.

| | | | | | | |
|------------------|----|-----------|---------------------|------------------------------------|--------------|---------------|
| DWN | RZ | 06MAY2019 | TE Connectivity | NAME 2.92mm JACK PCB RECEPTACLE | | |
| CHK | ED | 06MAY2019 | | | | |
| APVD | RS | 06MAY2019 | | | | |
| PRODUCT SPEC | | | | | | |
| APPLICATION SPEC | | | SIZE | CAGE CODE | DRAWING NO | RESTRICTED TO |
| MATERIAL | | | A300779 | | C-2081934 | |
| FINISH | | | SCALE 1:1 | | SHEET 1 OF 1 | REV A1 |

CUSTOMER DRAWING