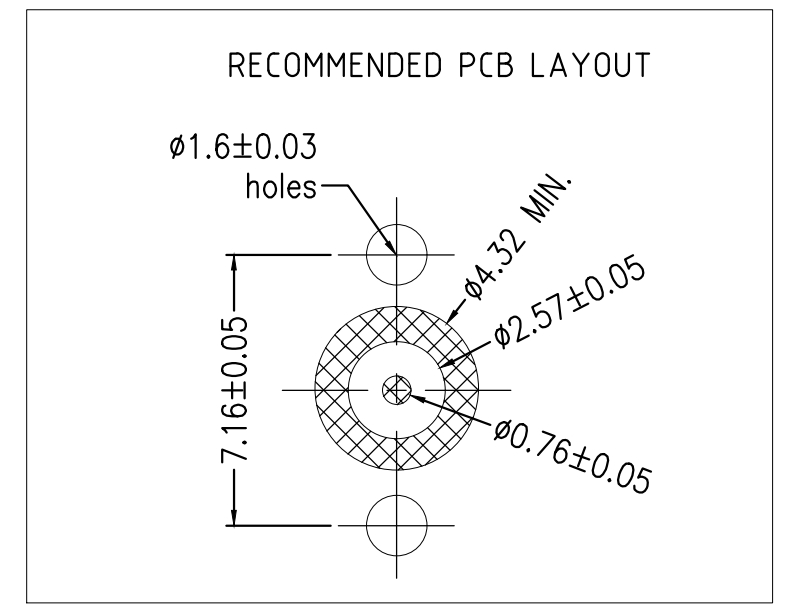
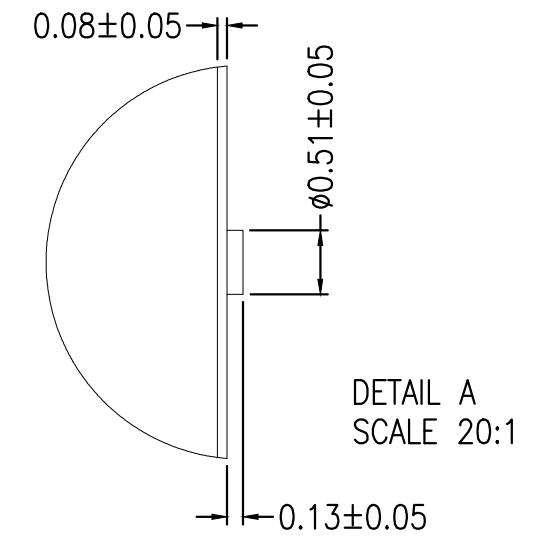
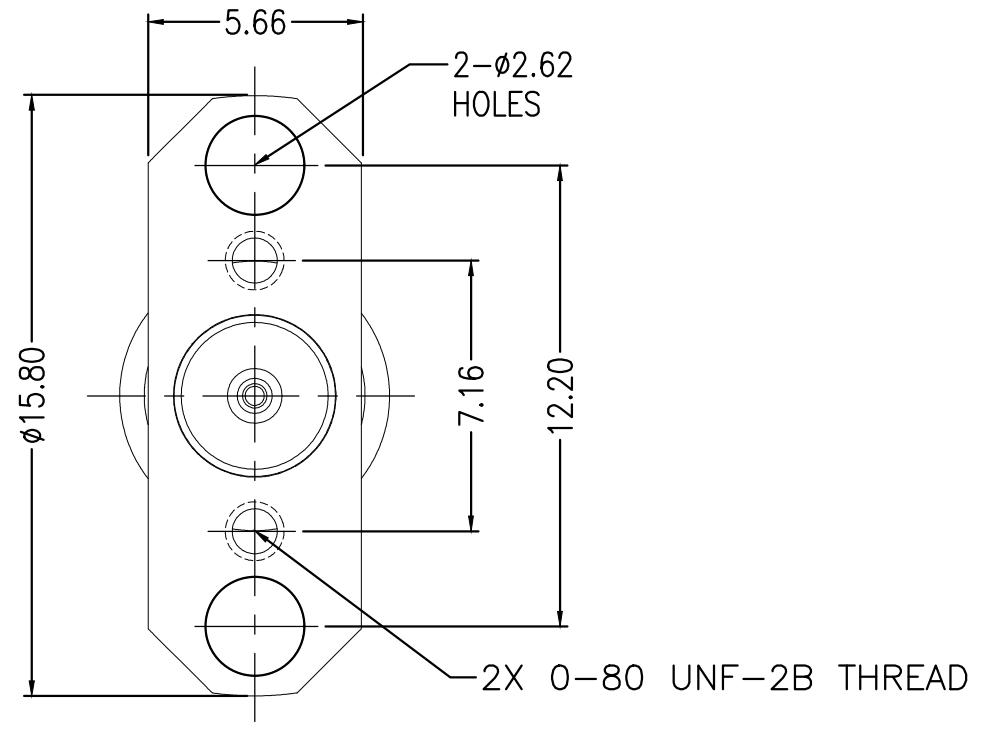
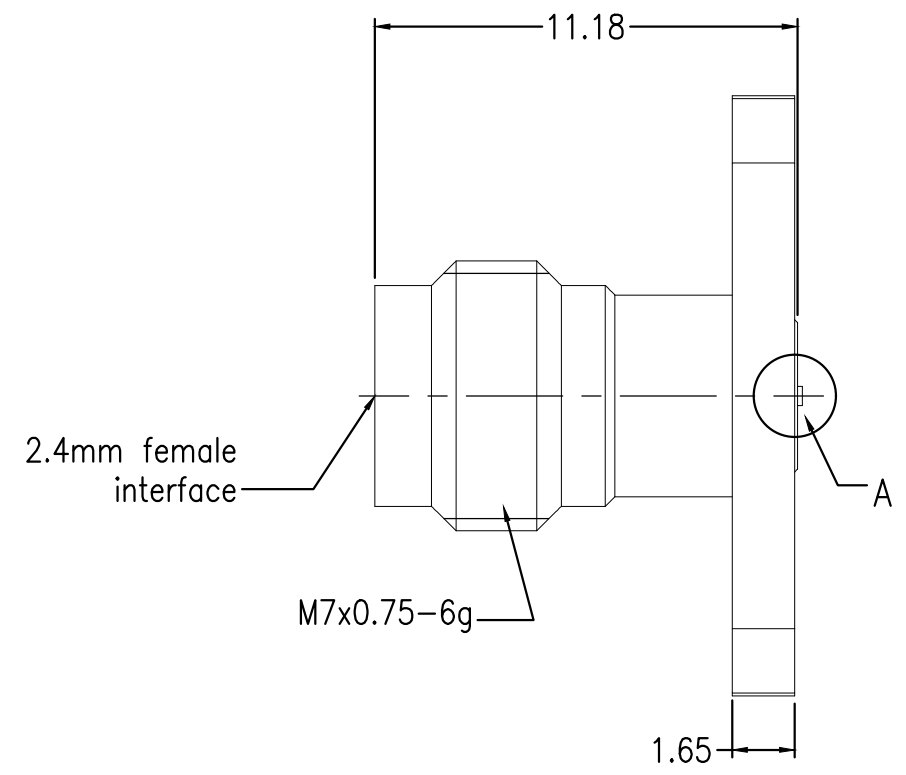


THIS DRAWING IS UNPUBLISHED. RELEASED FOR PUBLICATION
 © COPYRIGHT - TE Connectivity Ltd. ALL RIGHTS RESERVED.

REVISIONS					
P	LTR	DESCRIPTION	DATE	DWN	APVD
	A1	REVISE PER ECR-19-014902	24SEP2019	RZ	RS



- NOTES:
- 1 PACK IN ACCORDANCE WITH TE SPEC 107-3275
 - 2 ALL DIMENSIONS ARE NOMINAL FOR REFERENCE ONLY UNLESS OTHERWISE STATED

ELECTRICAL	MECHANICAL	ENVIRONMENTAL
Impedance (Ohm) 50	Interface Dimension MIL-STD-348B Fig. 324-2	TEMPERATURE RANGE -55°C TO + 125°C
Frequency Range (GHz) DC to 50GHz	Recommended Coupling Torque 7 to 10 In-Lbs	THERMAL SHOCK MIL-STD-202, METH.107, COND.B
Voltage Rating (Peak) @ Sea Level 335 V RMS	Force to Engage and Disengage (In/lbs) 2.0 MAX	CORROSION MIL-STD-202, METH.101, COND.B
Insulation Resistance (MIN.) 5000 M_ohms	Center Contact Captivation Axial (Lbs) 6.0 Radial (In/Oz) N/A	VIBRATION MIL-STD-202, METH.204, COND.D
Contact Resistance (Milliohms MAX) Center Contact 3.0 Outer Contact 2.0	Cable Retention Axial (Lbs) N/A	SHOCK MIL-STD-202, METH.213, COND.I
Dielectric Withstand Voltage: 500 V RMS Max	Mating cycles 500 cycles	MOISTURE RESISTANCE MIL-STD-202, METH.106.
Insertion Loss : 0.05*SQRT(F) dB		ROHS COMPLIANT
VSWR: 1.3 MAX (GHz)		
RF leakage: N/A		
3rd Intermodulation: N/A		

QUANTITY PER ASSY	PARTS LIST
1	PVC (BLACK) DUST CAP 4
1	PASSIVATE STAINLESS STEEL OUTER CONTACT 3
1	PEI INSULATION 2
1	Au BeCu CENTER CONTACT 1
-1	PLATING MATERIAL DESCRIPTION ITEM

THIS DRAWING IS A CONTROLLED DOCUMENT.

DWN RZ	06MAY2019	 TE Connectivity NAME 2.4mm JACK 4-HOLE FLANGE RECEPTACLE
CHK ED	06MAY2019	
APVD RS	06MAY2019	
PRODUCT SPEC		
APPLICATION SPEC		SIZE A3
WEIGHT -		CAGE CODE 00779
		DRAWING NO C-2081936
		RESTRICTED TO -
CUSTOMER DRAWING		SCALE 1:1
		SHEET 1 OF 1
		REV A1