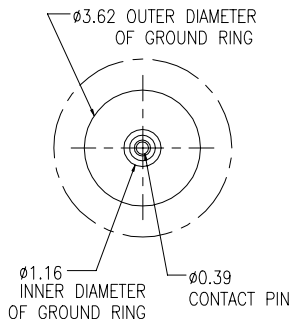
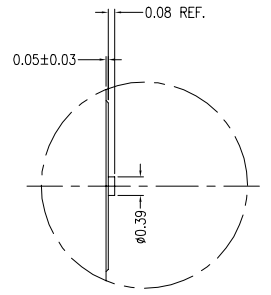
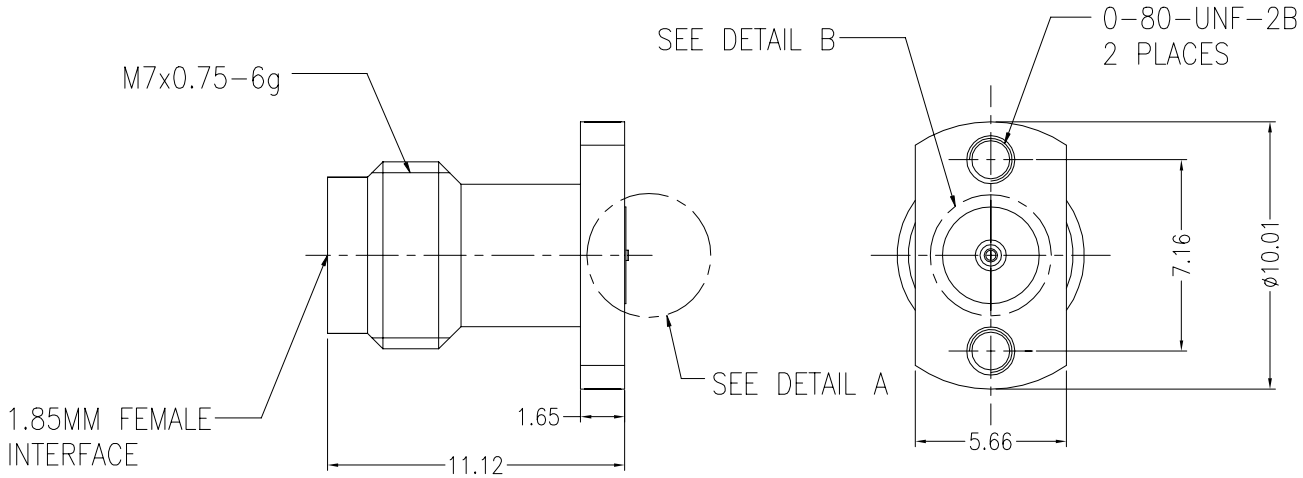
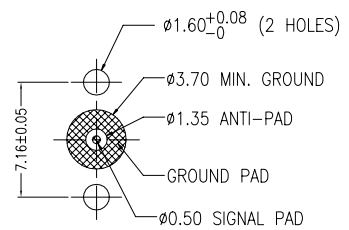


REVISIONS					
P	LTR	DESCRIPTION	DATE	DWN	APVD
	A2	REVISED PER ECO-20-008033	16JUN2020	RZ	RS



RECOMMENDED PCB LAYOUT



- NOTES:
- 1 PACK IN ACCORDANCE WITH TE SPEC 107-3275
  - 2 ALL DIMENSIONS ARE NOMINAL FOR REFERENCE ONLY UNLESS OTHERWISE STATED

ELECTRICAL	MECHANICAL	ENVIRONMENTAL
Impedance (Ohm) _____50	Interface Dimension IEC Fig. _____61169-32	TEMPERATURE RANGE _____ -55°C TO + 125°C
Frequency Range (GHz) _____ DC to 67GHz	Recommended Coupling Torque _____ 7 to 10 In-Lbs	THERMAL SHOCK _____ MIL-STD-202, METH.107, COND.B
Voltage Rating (Peak) @ Sea Level 170 V RMS	Force to Engage and Disengage (In/lbs) _____ 2.0 MAX	CORROSION _____ MIL-STD-202, METH.101, COND.B
Insulation Resistance (MIN.) _____ 5000 M ohms	Center Contact Captivation Axial (Lbs) _____ 6.0 Radial (In/Oz) _____ N/A	VIBRATION _____ MIL-STD-202, METH.204, COND.D
Contact Resistance (Milliohms MAX) Center Contact _____ 3.0 Outer Contact _____ 2.0	Cable Retention Axial (Lbs) _____ N/A	SHOCK _____ MIL-STD-202, METH.213, COND.I
Dielectric Withstand Voltage: _____ 500 V RMS Max	Mating cycles _____ 500 cycles	MOISTURE RESISTANCE _____ MIL-STD-202, METH.106
Insertion Loss : _____ 0.05*SQRT(F) dB		ROHS _____ COMPLIANT
VSWR: _____ 1.35 MAX (GHz)		
RF leakage: _____ N/A		
3rd Intermodulation: _____ N/A		

QUANTITY PER ASSY	PARTS LIST			
1	-	PVC (BLACK)	DUST CAP	4
1	PASSIVATE	STAINLESS STEEL	OUTER CONTACT	3
1	-	PEI	INSULATION	2
1	Au	BeCu	CENTER CONTACT	1
-1	PLATING	MATERIAL	DESCRIPTION	ITEM

THIS DRAWING IS A CONTROLLED DOCUMENT.

DIMENSIONS: mm	TOLERANCES UNLESS OTHERWISE SPECIFIED:	DWN RZ 06MAY2019	TE Connectivity NAME 1.85mm JACK 2-HOLE FLANGE RECEPTACLE
	0 PLC ± -	CHK ED 06MAY2019	
	1 PLC ± 0.3	APVD RS 06MAY2019	
	2 PLC ± 0.2	PRODUCT SPEC	
	3 PLC ± -	APPLICATION SPEC	
	4 PLC ± -		SIZE A3
	ANGLES ± -		CAGE CODE 00779
	FINISH		DRAWING NO C=2081937
MATERIAL			RESTRICTED TO
			WEIGHT
			CUSTOMER DRAWING
			SCALE 1:1
			SHEET 1 of 1
			REV A2