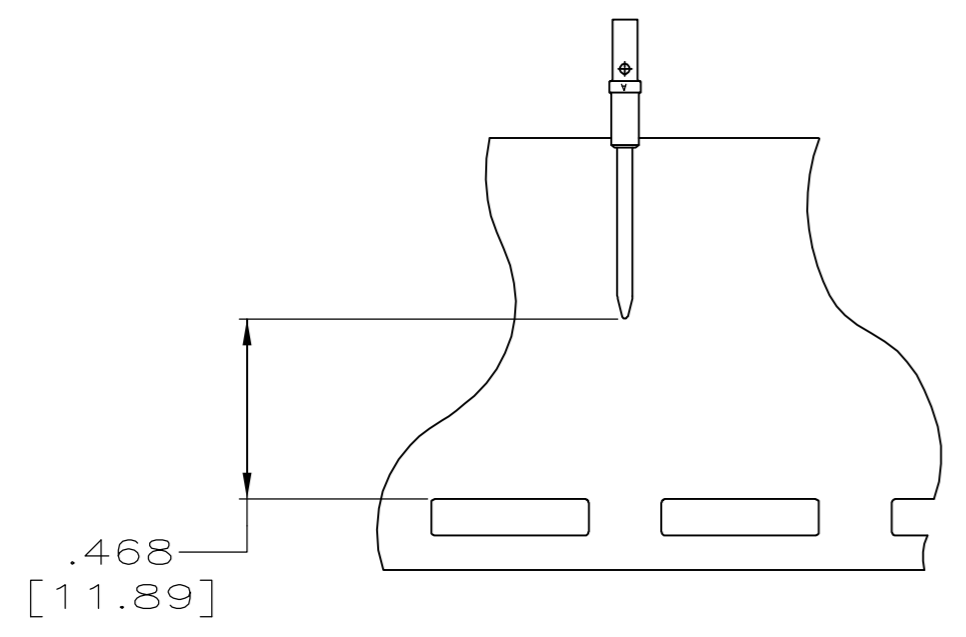
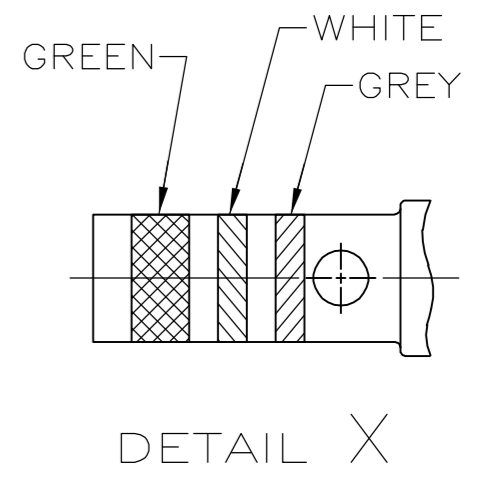
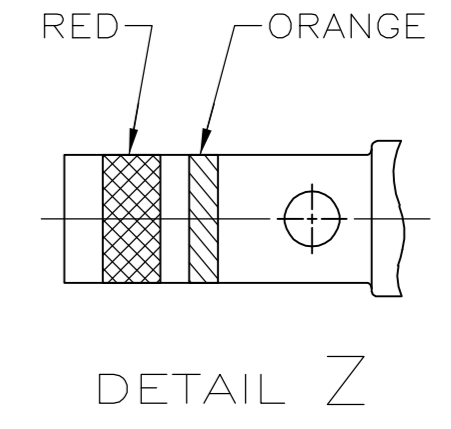
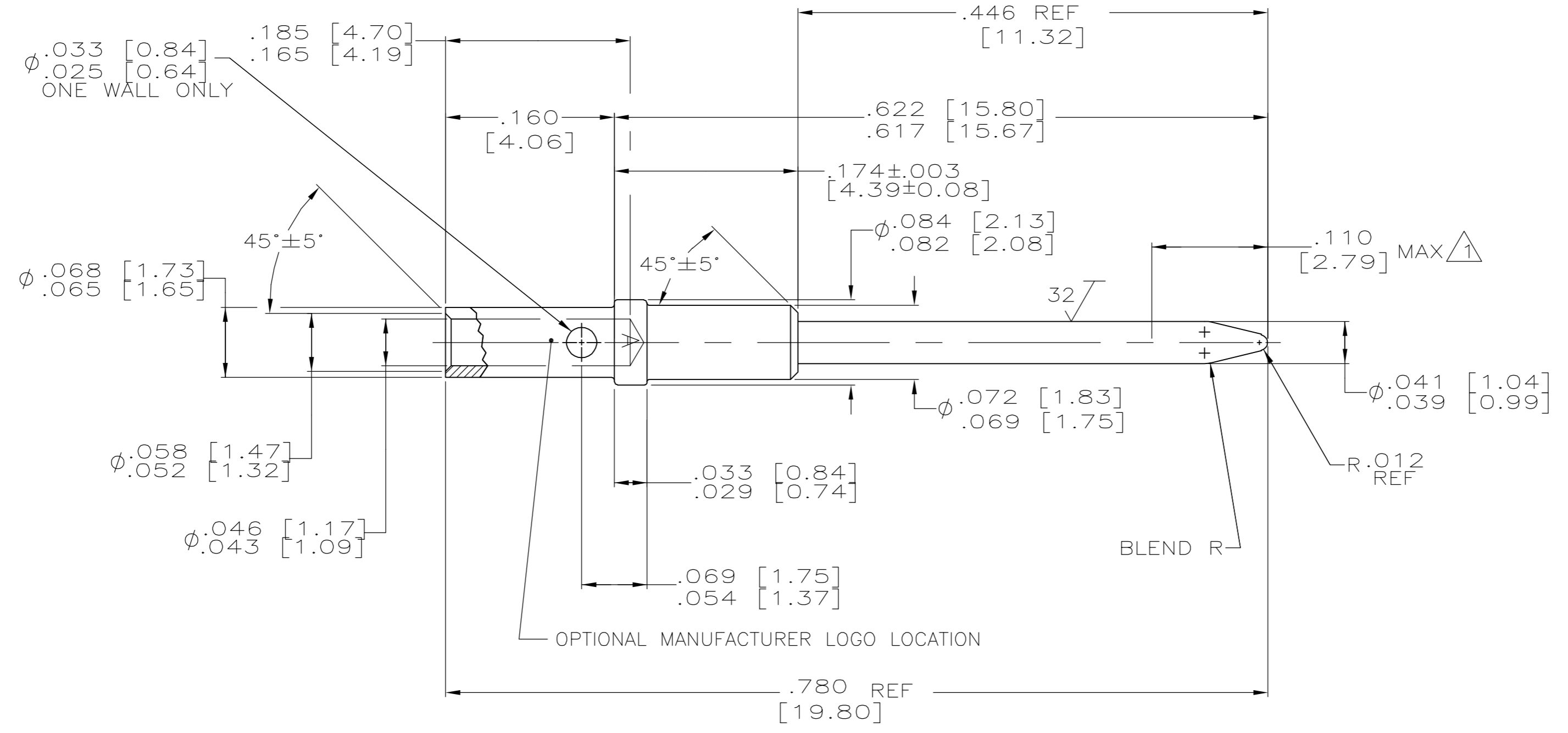


THIS DRAWING IS UNPUBLISHED. RELEASED FOR PUBLICATION
 © COPYRIGHT BY TYCO ELECTRONICS CORPORATION. ALL RIGHTS RESERVED.

LOC	DIST	REVISIONS					
DF	A0	P	LTR	DESCRIPTION	DATE	DWN	APVD
		H		REV PER EC 0H14-0154-04	23JAN06	TK	CT

- ① ELECTRICAL ENGAGEMENT POINT
- ② AS SHOWN
- ③ SAME AS -2 EXCEPT:
COLOR CODE PER DETAIL Z
- ④ SAME AS -2 EXCEPT:
COLOR CODE PER DETAIL X



TAPE MT'D ASS'Y
 (-3 ONLY)
 SCALE 2:1

OBSOLETE	④	208265-5
	-	208265-4
	③	208265-3
	②	208265-2
DESCRIPTION		PART NUMBER

THIS DRAWING IS A CONTROLLED DOCUMENT.		DWN	J.A.Baker	02-11-99	 Tyco Electronics Corporation Harrisburg, PA 17105-3608
DIMENSIONS: INCHES		CHK	S.GLATFELTER	-	
TOLERANCES UNLESS OTHERWISE SPECIFIED:		APVD	S.GLATFELTER	-	NAME PIN CONTACT, SIZE 20 ARINC 600 TYPE
0 PLC ± -		PRODUCT SPEC	-	-	
1 PLC ± -		APPLICATION SPEC	-	-	SIZE CAGE CODE DRAWING NO RESTRICTED TO A2 00779 C=208265 -
2 PLC ± -		WEIGHT	-	-	
3 PLC ± .005 [0.13]		CUSTOMER DRAWING	SCALE 10:1		SHEET 1 of 1
4 PLC ± - 2'			REV H		
MATERIAL LEADED COPPER		FINISH GOLD PER MIL-G-45204 OVER NICKEL PER QQ-N-290			