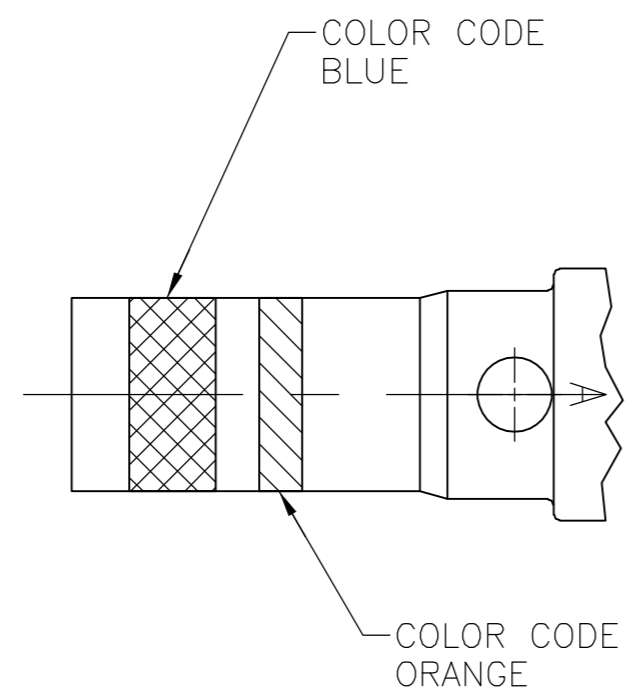
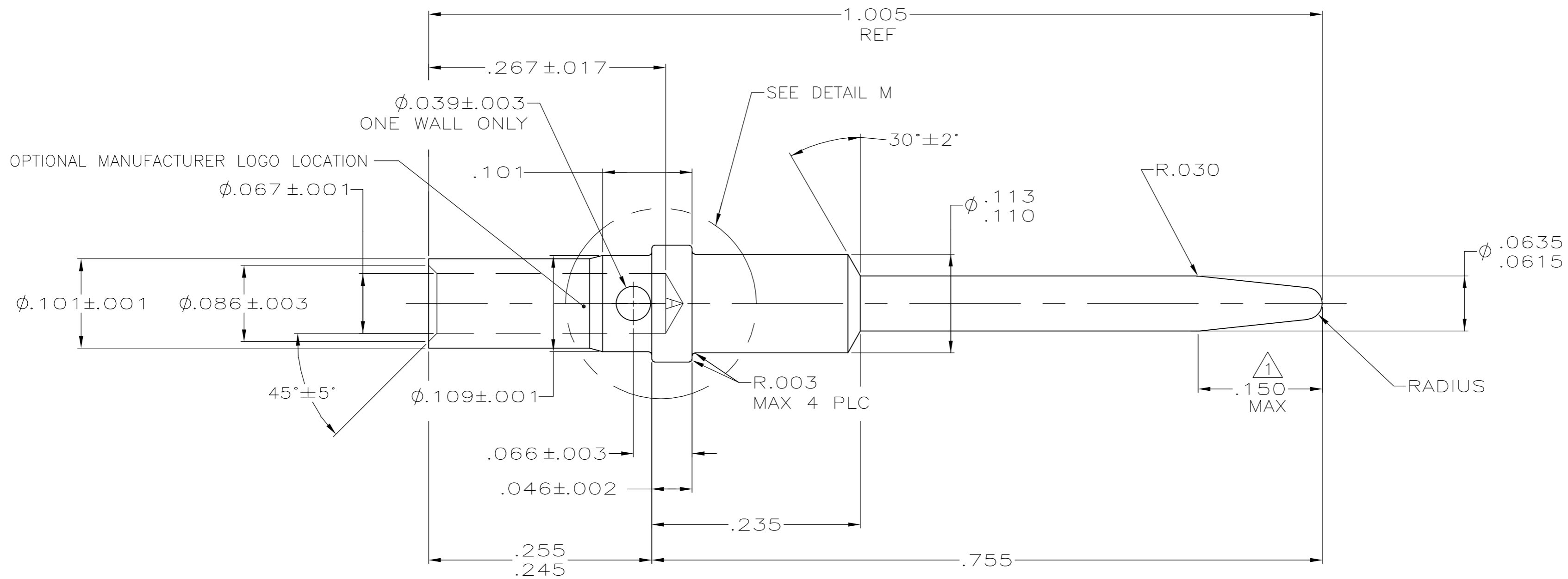


THIS DRAWING IS UNPUBLISHED. RELEASED FOR PUBLICATION
 © COPYRIGHT BY TYCO ELECTRONICS CORPORATION. ALL RIGHTS RESERVED.

LOC		DIST		REVISIONS			
P	LTR	DESCRIPTION	DATE	DWN	APVD		
DF	A0	F	REV PER EC 0H14-0154-04	24JAN06	TK	CT	

- ① ELECTRICAL ENGAGEMENT POINT
- ② AS SHOWN
- ③ SAME AS -2 EXCEPT:
COLOR CODE PER DETAIL Z



DETAIL Z
(APPLIES TO -3 ONLY)

OBSELETE	208268-5
③	208268-3
②	208268-2
DESCRIPTION	PART NUMBER

THIS DRAWING IS A CONTROLLED DOCUMENT.		DWN	C.C.THOMAS	8-20-04	Tyco Electronics Corporation Harrisburg, PA 17105-3608
DIMENSIONS: INCHES		CHK	S.GLATFELTER	8-20-04	
TOLERANCES UNLESS OTHERWISE SPECIFIED:		APVD	S.GLATFELTER	8-20-04	
0 PLC ± - 1 PLC ± - 2 PLC ± - 3 PLC ± .005 [0.13] 4 PLC ± - ANGLES ± -		PRODUCT SPEC	NAME		
MATERIAL: COPPER ALLOY		FINISH	GOLD PER ASTM-B-488 OVER NICKEL PER QQ-N-290		APPLICATION SPEC
WEIGHT		-		SIZE	A2
CUSTOMER DRAWING		SCALE		CAGE CODE	00779
SCALE		10:1		DRAWING NO	C=208268
SHEET		1 of 1		RESTRICTED TO	-
REV		F			