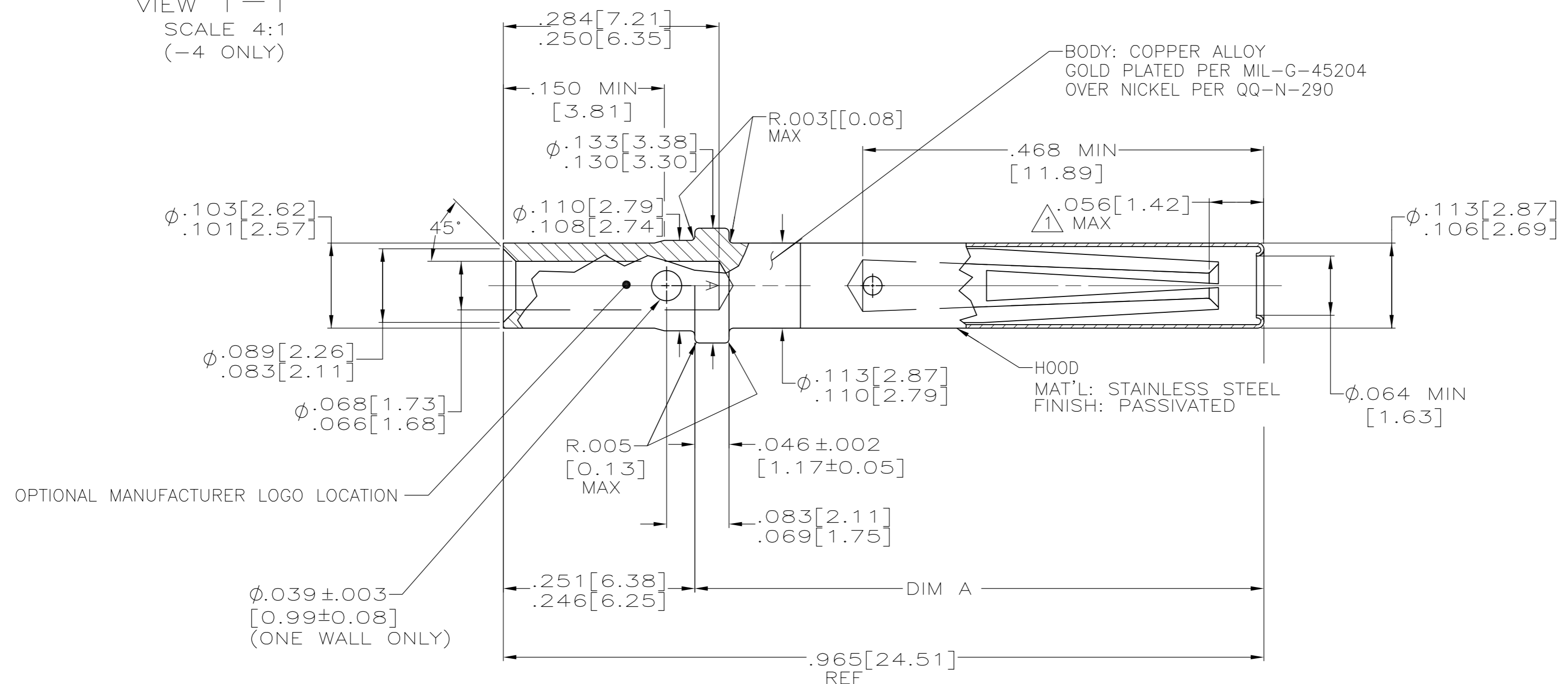
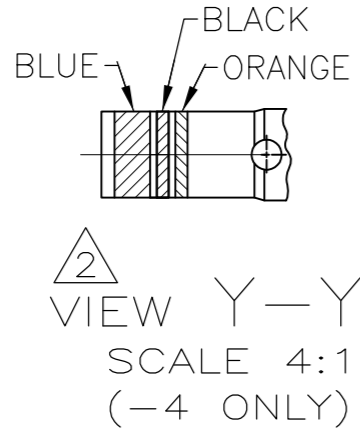
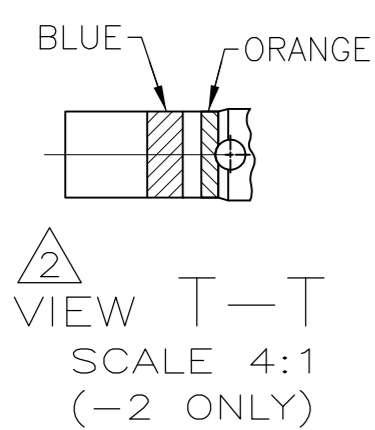


THIS DRAWING IS UNPUBLISHED. RELEASED FOR PUBLICATION
 © COPYRIGHT BY TYCO ELECTRONICS CORPORATION. ALL RIGHTS RESERVED.

LOC	DIST	REVISIONS					
DF	A0	P	LTR	DESCRIPTION	DATE	DWN	APVD
		J		REV PER ECO 07-018300	8-22-07	CT	KH



1 ELECTRICAL ENGAGEMENT POINT.
 2 COLORS IN BIN CODE BAND MUST MEET EIA STD RS-359 OR USAS C83.1-1969 WITHIN THE EXTENDED LIMITS OF COLOR TOLERANCE NOTATIONS & COLOR CHIPS. LEFT BAND TO BE APPROX. TWICE THE WIDTH OF THE OTHER BANDS. FLAKING IN CRIMP AREA ACCEPTABLE PROVIDED COLOR BANDS ARE IDENTIFIABLE.

.714 ± .004 [18.14 ± 0.10]	SEE VIEW Y-Y	208270-4
.718 ± .005 [18.24 ± 0.13]	SEE VIEW T-T	208270-2
DIM A	COLOR CODE	PART NUMBER

THIS DRAWING IS A CONTROLLED DOCUMENT.		DWN	6-17-97	Tyco Electronics Corporation	
DIMENSIONS: INCHES [mm]		CHK	S.McINTIRE	Harrisburg, PA 17105-3608	
TOLERANCES UNLESS OTHERWISE SPECIFIED:		APVD	S.McINTIRE	NAME	
0 PLC ± -		PRODUCT SPEC		SOCKET CONTACT ASSY	
1 PLC ± -		APPLICATION SPEC		SIZE 16, ARINC 600 TYPE	
2 PLC ± -				SIZE	CAGE CODE
3 PLC ± .005 [0.13]				A2	00779
4 PLC ± - 2'				DRAWING NO	RESTRICTED TO
MATERIAL SEE CALLOUTS		FINISH SEE CALLOUTS	WEIGHT -	C=208270	
				SCALE	SHEET
				8:1	1 of 1
				CUSTOMER DRAWING	REV J