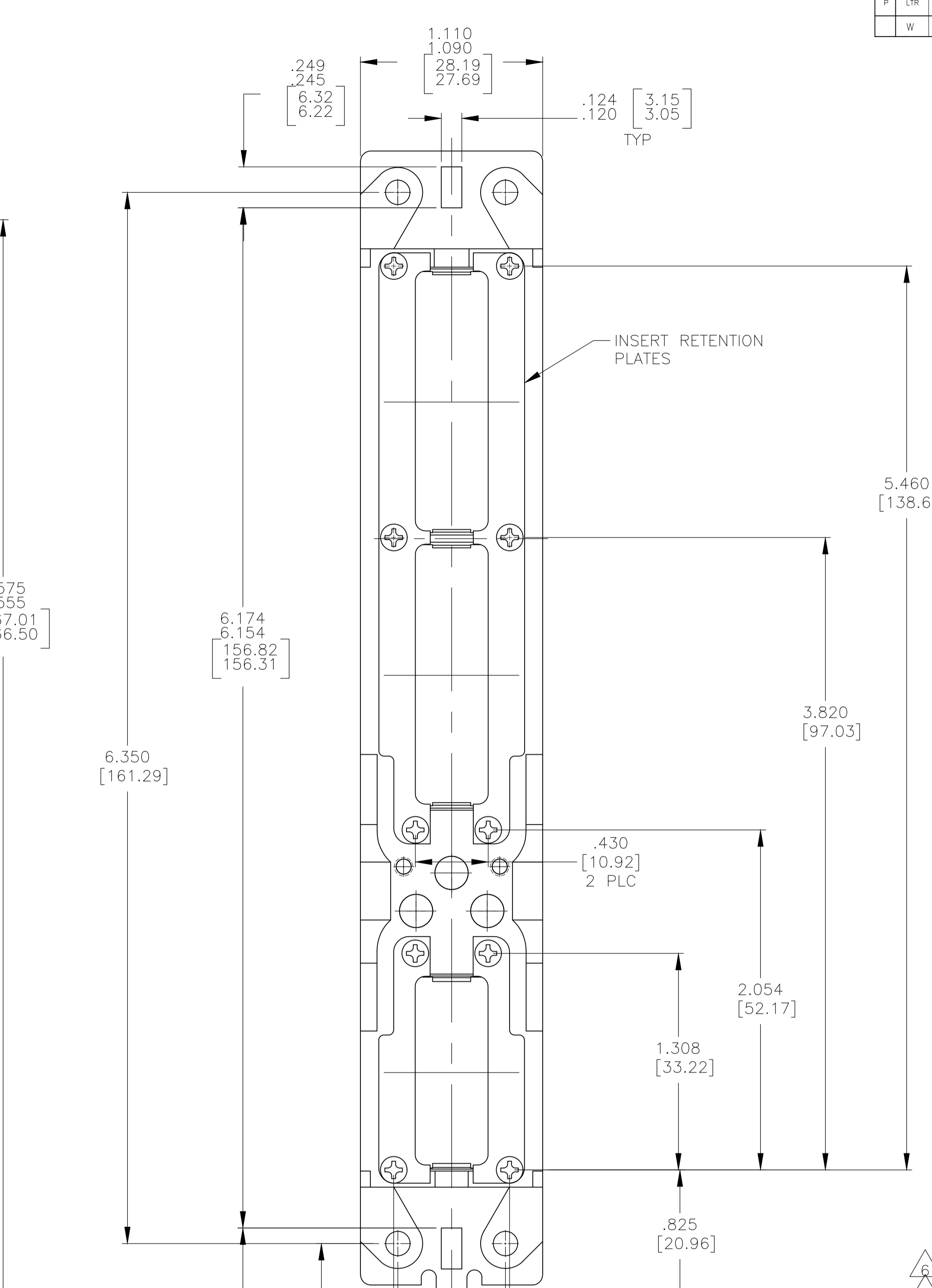
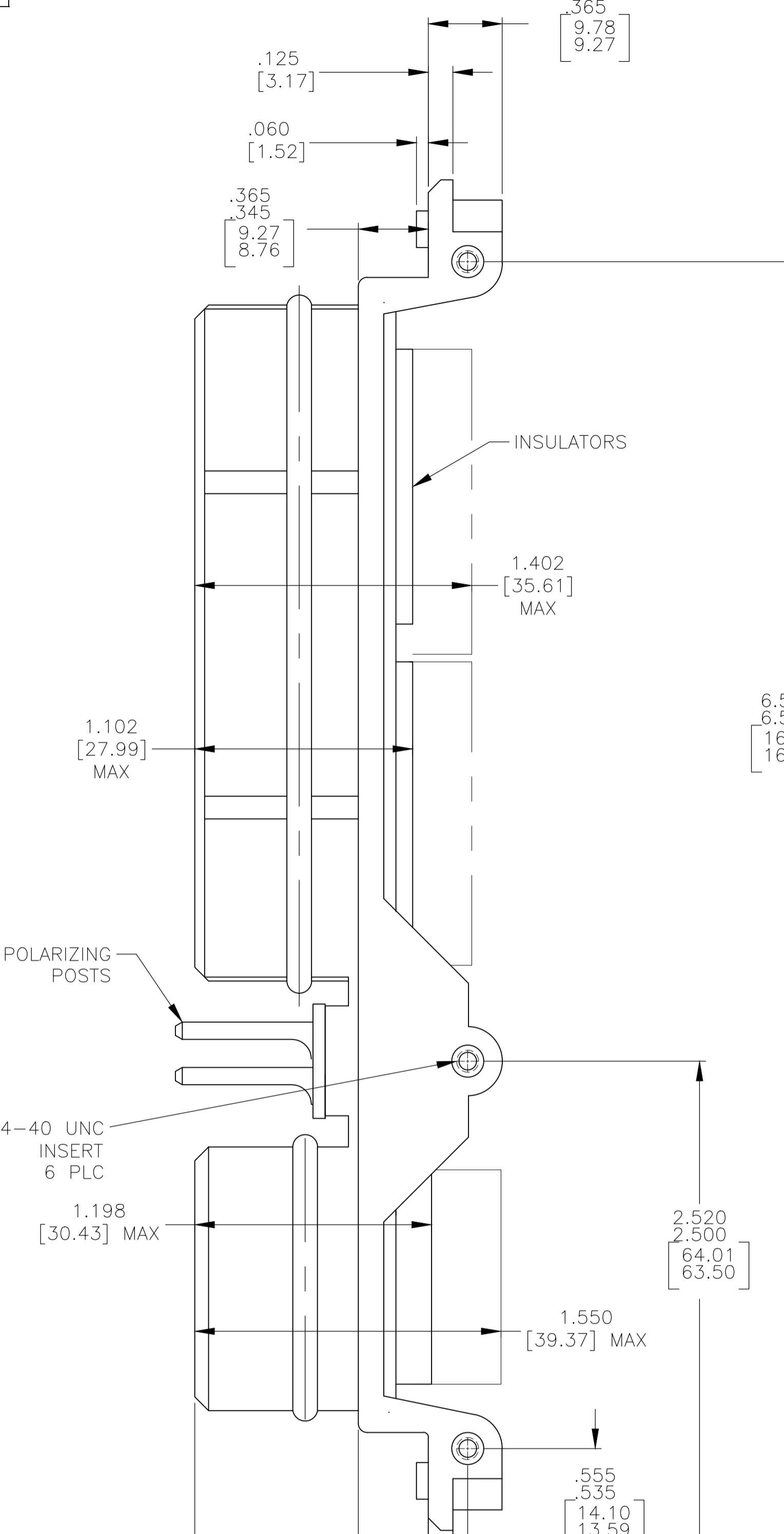
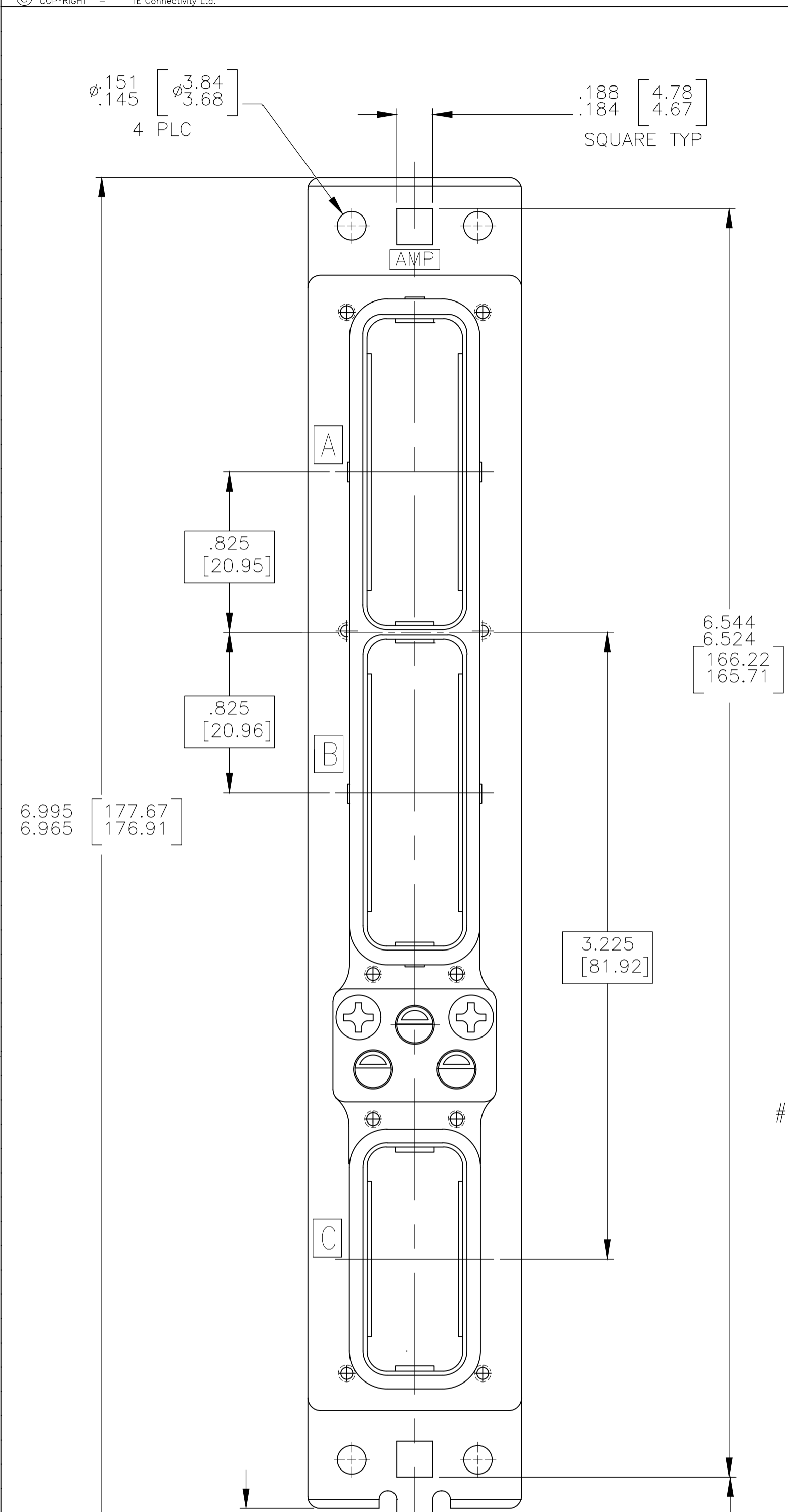


REVISIONS				
P	LTR	DESCRIPTION	DATE	APP'D
W		REVISED PER ECO 19-012139	8-14-19	CT RL



- CONNECTOR DIMENSIONS ARE PER ARINC 600 SPECIFICATION
  - KEYING SHOWN IN POSITION "01" FOR REFERENCE ONLY. CONNECTOR SHIPPED WITH KEYING PER ORDERING INSTRUCTIONS. FOR POSITION "00" KEYING SHIPPED UNASSEMBLED.
  - FOR SHIPMENT CONTACTS (IF ORDERED) ARE INCLUDED IN A CONTAINER WITHIN THE CONNECTOR PACKAGE. COAX CONTACTS ARE NOT SUPPLIED AND MUST BE ORDERED SEPARATELY.
- 4 SEE RESTRICTED CUSTOMER DRAWING 208598-7
  - 5 SPECIAL WITH INSERTS 60/OPEN/5C2, STANDARD MOUNTING, NO CONTACTS
  - 6 PRELIMINARY, NOT RELEASED FOR PRODUCTION
  - 7 FINISH OF SHELLS AND RETENTION PLATES IS ELECTROLESS NICKEL PER MIL-C-26074, CLASS 3 OR 4, GRADE B (5--2 ONLY)
  - 8 OBSOLETE PART NUMBER.

COMPONENT	MATERIAL	FINISH
SHELL	DIE CAST ALUMINUM PER ASTM-B-85	7 CHROMATE CONVERSION PER MIL-C-5541, TYPE II, CLASS 3
RETENTION PLATES	ALUMINUM ALLOY PER ASTM-B-209	7 CHROMATE CONVERSION PER MIL-C-5541, TYPE II, CLASS 3
SCREWS	STEEL OR STAINLESS STEEL	STAINLESS STEEL OR PASSIVATED
POLARIZING POSTS	ZINC ALLOY PER ASTM-B-86	ELECTROLESS NICKEL PER MIL-C-26074, CLASS 4, GRADE B
INSERTS	THERMOSET	-
FILLER PLUG (IF ORDERED)	TEFLON	-
POLARIZING POST RETAINING PLATE	ALUMINUM ALLOY PER ASTM-B-209	BLUE ANODIZED PER MIL-A-8625

THIS DRAWING IS A CONTROLLED DOCUMENT.

DIMENSIONS: INCHES	TOLERANCES UNLESS OTHERWISE SPECIFIED:
0 PLC ± -	± -
1 PLC ± -	± -
2 PLC ± -	± -
3 PLC ± .005 [0.13]	± -
4 PLC ± -	± -
ANGLES ± ± 0°30'	

DIN C.C.THOMAS 11-20-04	REVISED PER ECO 19-012139	DATE 8-14-19	APP'D CT RL
SIZE A1	CAGE CODE 00779	DRAWING NO. 208598	RESTRICTED TO
CUSTOMER DRAWING			SCALE 2:1 SHEET 1 OF 1 REV W

DESCRIPTIVE NUMBER	PART NUMBER
7	5-208598-2
NIC66F11B44AA0	1-208598-7
NIC66F11C22AA0	1-208598-6
NIC66F11C08CBO	1-208598-5
NIC66F11C07CBO	1-208598-4
5	1-208598-3
NIC66F11C00AA1	1-208598-2
SPECIAL	1-208598-1
SPECIAL	208598-0
SPECIAL	208598-9
SPECIAL	208598-8
4	208598-7
SPECIAL	208598-6
SPECIAL	208598-5
NIC66F11B22AA1	208598-4
NIC66F11C01AA1	208598-3
NIC66F11B01AA1	208598-2
NIC66F11B01AA0	208598-1