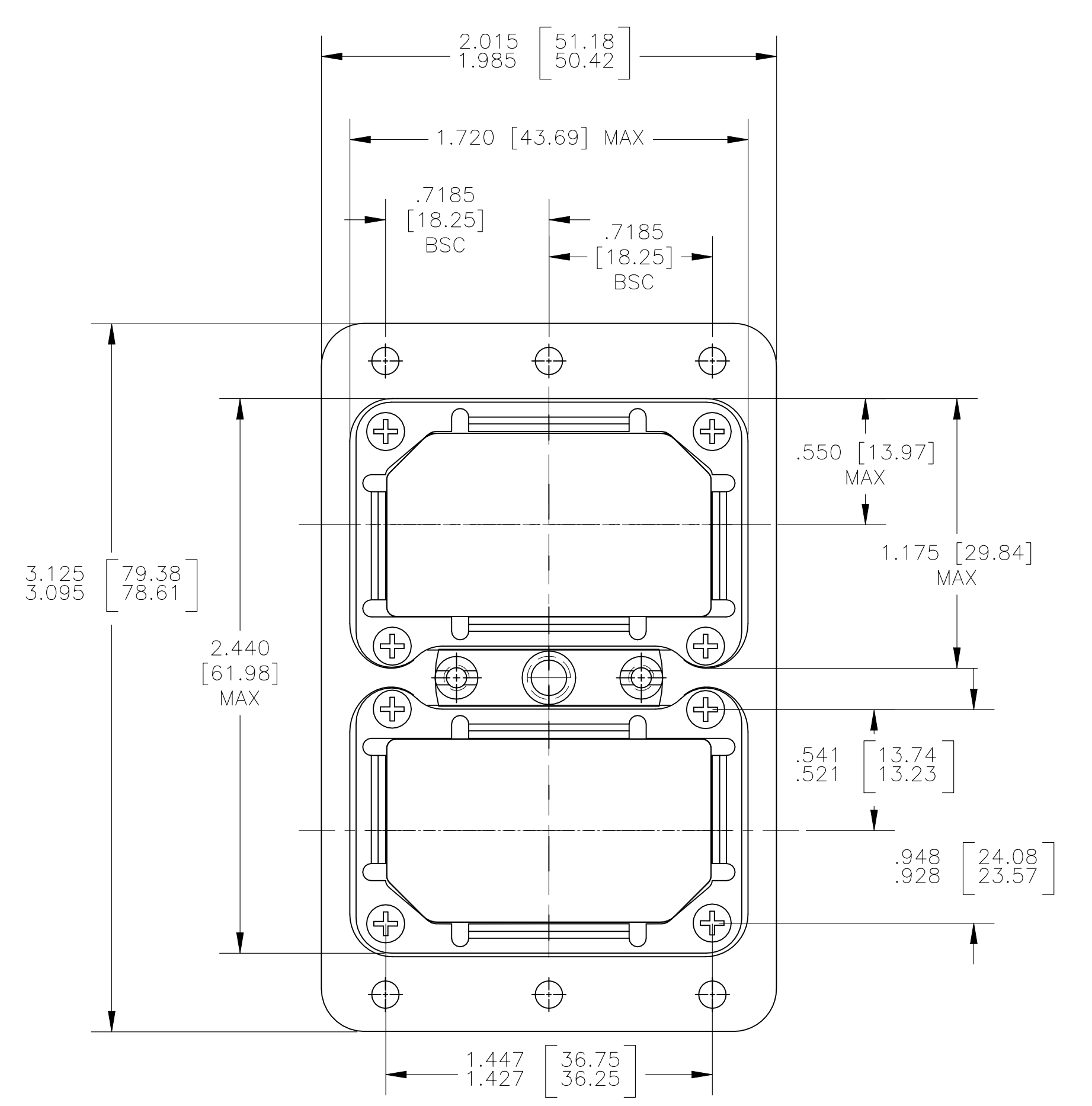
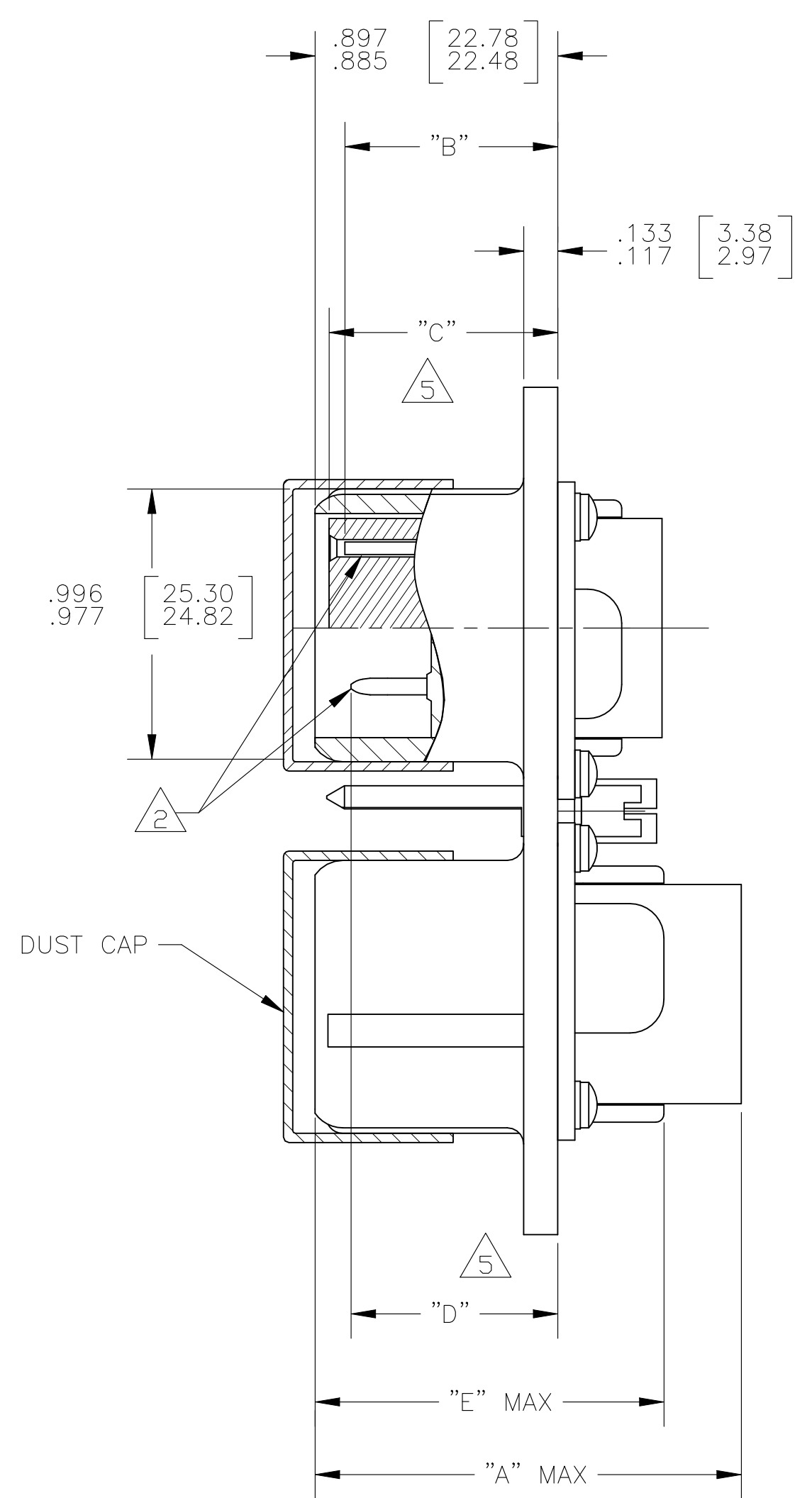
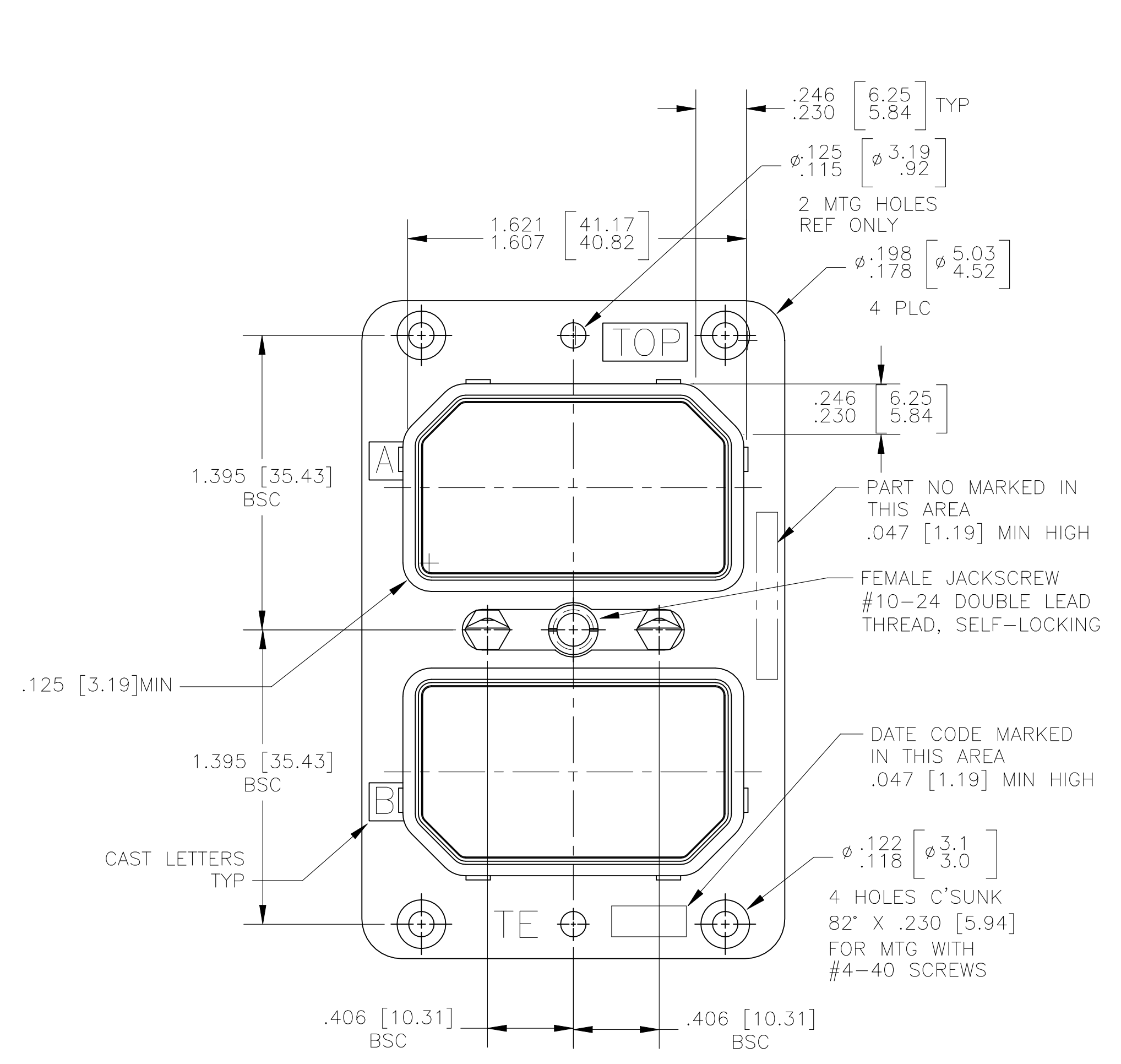


REVISIONS				
P	LTR	DESCRIPTION	DATE	BY
H	REV PER ECO	20-015430	5-25-21	CT RL



1 MATERIAL & FINISH
 DIE CAST ALUMINUM PER QQ-A-591
 OR ASTM B211, 6061-T6/6511 OR ASTM B209
 2024-T4/T351
 FINISH: CAD. PLATED PER QQ-P-416, TYPE I, CLASS 2
 YELLOW CHROMATE CONVERSION.
 INSERT RETENTION PLATE: ALUM. ALLOY, BLUE ANODIZE PER MIL-A-8625.
 INSULATOR, HARD: EPOXY PER MIL-M-24325.
 INSULATOR, SOFT: FLUOROSILICONE RUBBER, COLOR: BLUE.
 GROMMET PROTECTOR: ALUM. ALLOY, FINISH: BLUE EPOXY.
 POLARIZING POST & NUTS: STAINLESS STEEL.
 FEMALE JACKSCREW: STAINLESS STEEL.
 SCREWS & WASHERS: STEEL, CAD. PLATED PER QQ-P-416.
 DUST CAP: CLEAR VINYL.

	INSERT ARRANGEMENT													
	C2	C3	8	C8	D8	26	32C2	33C4	40	40CI	45	57	67	106
"A" MAX	1.201 [30.51]	1.201 [30.51]	1.425 [36.20]	1.201 [30.51]	1.541 [39.14]	1.541 [39.14]	1.595 [40.51]	1.616 [41.05]	1.425 [36.20]	1.595 [40.51]	1.541 [39.14]	1.541 [39.14]	1.425 [36.20]	1.541 [39.14]
"E" MAX	.966 [24.54]	.966 [24.54]	1.340 [34.04]	.966 [24.54]	1.340 [34.04]	1.340 [34.04]	1.340 [34.04]	1.340 [34.04]	1.340 [34.04]	1.340 [34.04]	1.340 [34.04]	1.340 [34.04]	1.340 [34.04]	1.340 [34.04]

- 2** CONTACTS SHOWN IN POSITION FOR ILLUSTRATION ONLY, ARE INCLUDED IN A CONTAINER WITHIN CONNECTOR PACKAGE FOR SHIPMENT.
- 3. CONNECTOR MEETS AMP PRODUCT SPEC 108-10,019.
- 4. COAX CONTACTS & SEALING BOOTS MUST BE ORDERED SEPARATELY.
- 5** FOR CONTACT SIZE 22 DIMENSION "B" REPRESENTS PIN CONTACTS & DIMENSION "D" REPRESENTS SOCKET CONTACTS.
- 6 ALL METRIC DIMENSIONS ARE SHOWN IN PARENTHESIS.
- 7. FOR MATING CONNECTOR SEE 208669.
- 8** CONNECTORS ORDERED LESS CONTACTS WILL BE MARKED WITH SAME P/N AS CONNECTORS ORDERED WITH CONTACTS.

"B" Δ				"C"				"D" Δ			
22	20	16	12	22	20	16	12	22	20	16	12
.736 [18.69]	.827 [21.00]	.782 [19.86]	.793 [20.14]	.797 [20.24]	.893 [22.68]	.893 [22.68]	.893 [22.68]	.737 [18.72]	.700 [17.78]	.824 [20.93]	.824 [20.93]
.688 [17.48]	.769 [19.53]	.735 [18.67]	.746 [18.95]	.769 [19.53]	.865 [21.97]	.865 [21.97]	.865 [21.97]	.688 [17.48]	.585 [14.86]	.746 [18.95]	.746 [18.95]

	PART NO.	ARRANGEMENT		CONTACTS TOOLS & SEALING PLUGS
		MODULE A	MODULE B	
OBsolete	208668-1	106P	33C4S	YES
OBsolete	208668-2	106P	33C4S	YES
	208668-3 Δ 8	106P	33C4S	NO
OBsolete	208668-4 Δ 8	106P	33C4S	NO

THIS DRAWING IS A CONTROLLED DOCUMENT.		DIN T. THOMPSON 01OCT98	STE TE Connectivity	
DIMENSIONS: INCHES		CHK R. BELL 01OCT98		
TOLERANCES UNLESS OTHERWISE SPECIFIED:		APVD R. BELL 01OCT98	NAME: PLUG CONNECTOR INSTALLATION WITH CENTER FEMALE JACKSCREW	
0 PLC ± -		PRODUCT SPEC	APPLICATION SPEC	
1 PLC ± -		SIZE	CAGE CODE DRAWING NO	
2 PLC ± -		WEIGHT	RESTRICTED TO	
3 PLC ± -		0.000000	A1 00779 C=208668	
4 PLC ± -		CUSTOMER DRAWING	SCALE 2:1 SHEET 1 of 1 REV H	
ANGLES ± -				