

THIS DRAWING IS UNPUBLISHED. RELEASED FOR PUBLICATION N/A, N/A  
 © COPYRIGHT N/A BY TYCO ELECTRONICS CORPORATION. ALL RIGHTS RESERVED.

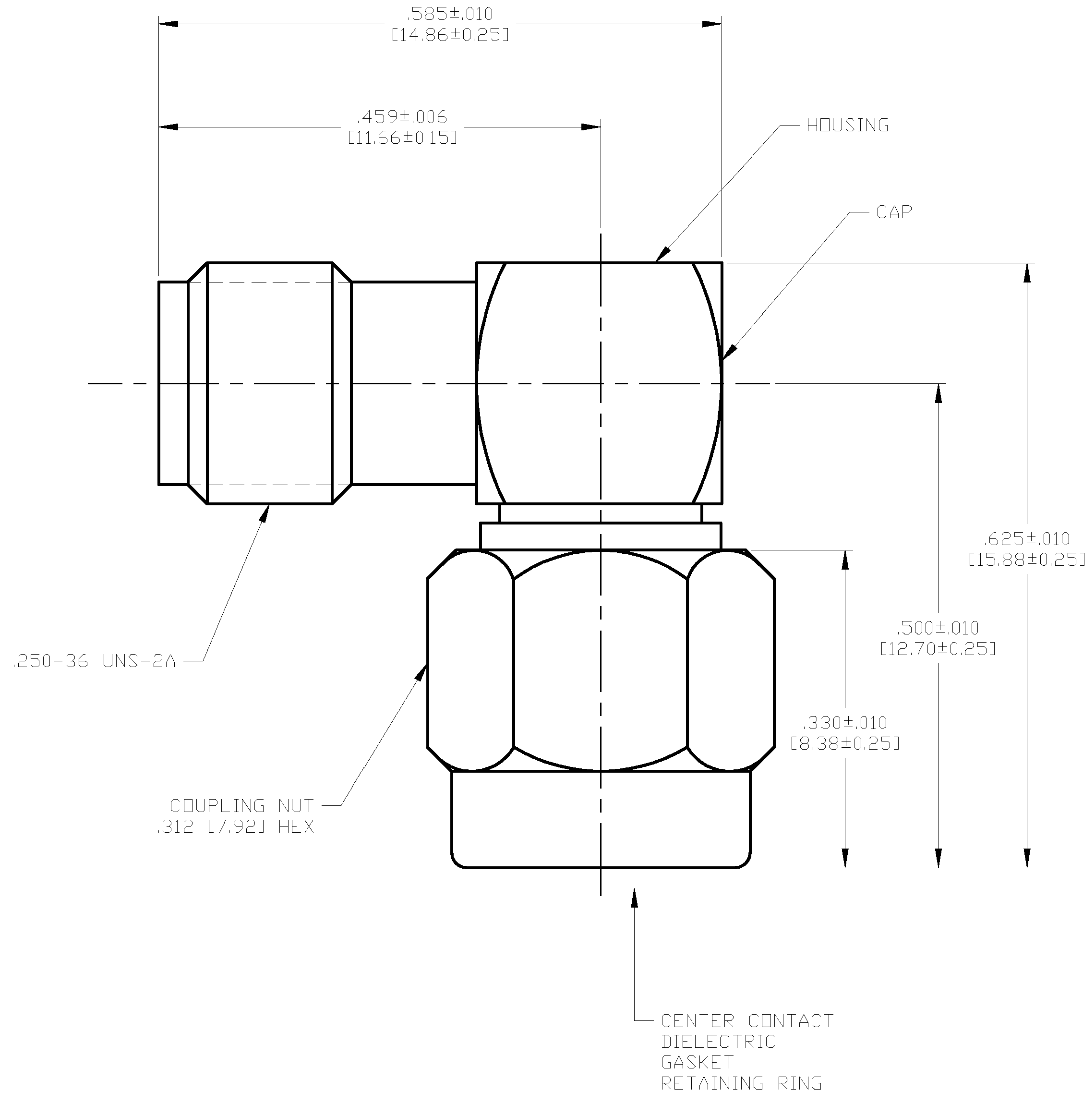
LOC	DIST	REVISIONS			
P	LTR	DESCRIPTION	DATE	DWN	APVD
DF	XO	O RELEASED	11-02	JMK	JL

COMPONENT	MATERIAL	FINISH
HOUSING CAP COUPLING NUT	STAINLESS STEEL PER ASTM-A-484 OR ASTM-A-582 TYPE 303	PASSIVATED PER ASTM-B-380
DIELECTRIC	PTFE FLUORCARBON PER ASTM-D-1457	-
-	-	-
-	-	-
CENTER CONTACT	BERYLLIUM COPPER PER ASTM-B-194 ALLOY C17200, CONDITION H	GOLD PLATED PER ASTM-B-488
GASKET	SILICONE RUBBER PER-ZZ-R-765	-
RETAINING RING	BERYLLIUM COPPER PER ASTM-B-194 ALLOY C17200, CONDITION H	-
-	-	-
-	-	-
-	-	-
-	-	-

ENVIRONMENTAL	
TEMPERATURE RATING:	-65°C TO +105°C
VIBRATION:	MIL-STD-202, METHOD 204, CONDITION D
SHOCK:	MIL-STD-202, METHOD 213, CONDITION 1
MOISTURE RESISTANCE:	MIL-STD-202, METHOD 106
CORROSION:	MIL-STD-202, METHOD 101, CONDITION B. 5% SALT SPRAY
THERMAL SHOCK:	MIL-STD-202, METHOD 107, CONDITION B

MECHANICAL	
INTERFACE DIMENSIONS:	MIL-STD-348A FIG. 310.2 & 310.1
RECOMMENDED MATING TORQUE:	7-10 IN-LBS
FORCE TO ENGAGE & DISENGAGE (IN-LBS MAX):	2.0
WEIGHT (GRAMS):	TBD
MATING CHARACTERISTICS:	INSERTION (MAX LBS): 3 WITHDRAWAL (MIN OZ): 1
CABLE RETENTION:	AXIAL FORCE (LBS): N/A TORQUE (IN-OZ): N/A
CENTER CONTACT CAPTIVATION:	AXIAL (LBS): 6.0 MIN RADIAL (IN-OZ): 4.0 MIN

ELECTRICAL	
NORMAL IMPEDANCE (OHMS):	50
FREQUENCY RANGE (GHz):	DC TO 12.4
VOLT RATING @ SEA LEVEL (VRMS MAX):	335
VSWR:	1.05+0.01f(GHz)
INSERTION LOSS: (dB MAX):	.05 √f(GHz)
RF LEAKAGE (dB MIN):	-60 @ 2-3 GHz
CORONA 70,000 FT (VRMS MIN):	250
DIELECTRIC WITHSTANDING VOLTAGE (VRMS MIN) AT SEA LEVEL:	1000
I.R. (MEGOHMS MIN):	5,000
RF HIGH POTENTIAL AT SEA LEVEL (VRMS MIN @ 5 MHz):	670
CONTACT RESISTANCE (MILLIOHMS MAX):	CENTER CONTACT: 4.0 OUTER CONTACT: 2.0 CABLE TO HOUSING: N/A



1055091-1  
PART NO.

THIS DRAWING IS A CONTROLLED DOCUMENT.		DWN J. KAISER 10/11/02	Tyco Electronics Corporation Harrisburg, PA 17105
DIMENSIONS: INCHES [mm]		CHK J. LIPPERT 11-20-02	
TOLERANCES UNLESS OTHERWISE SPECIFIED:		APVD J. LIPPERT 11-20-02	NAME SMA RIGHT ANGLE PLUG TO JACK ADAPTOR(M55339/2-30001)
0 PLC ± - 1 PLC ± - 2 PLC ± - 3 PLC ± .005 [0.13] 4 PLC ± - ANGLES ± -		PRODUCT SPEC -	SIZE A2
MATERIAL SEE TABLE	FINISH SEE TABLE	WEIGHT TBD	CAGE CODE 00779
CUSTOMER DRAWING		SCALE 10:1	DRAWING NO 1055091
		SHEET 1 OF 1	RESTRICTED TO -