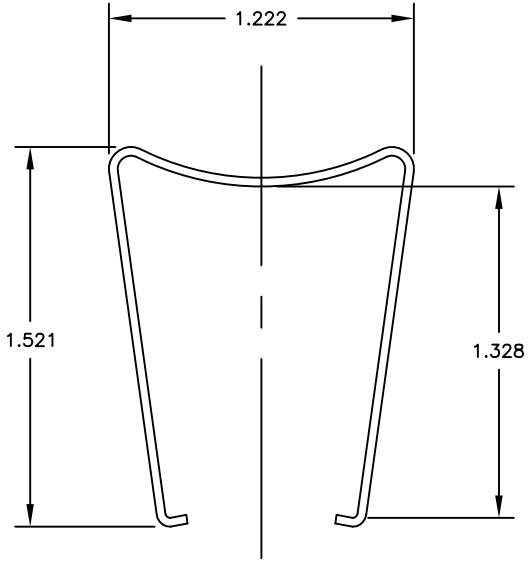
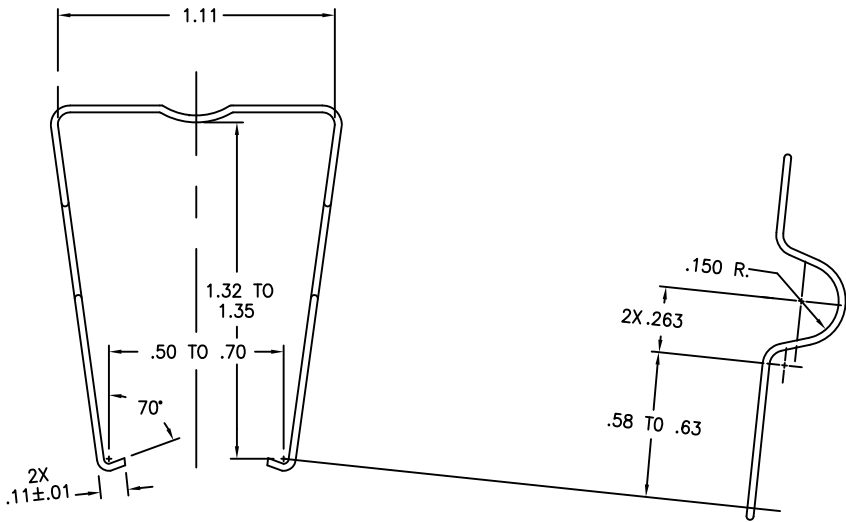


THIS DRAWING IS UNPUBLISHED. RELEASED FOR PUBLICATION
 © COPYRIGHT - By - ALL RIGHTS RESERVED.

LOC	DIST	REVISIONS			
P	LTR	DESCRIPTION	DATE	DWN	APVD
	A	RELEASE IN SYSTEM	24SEP12	DH	WW

MATERIAL: TYPE 302 .035 DIA STAINLESS STEEL SPRING TEMPER



ALTERNATE SPRING DESIGN

TE PART NUMBER: 1419111-2

THIS DRAWING IS A CONTROLLED DOCUMENT.		DWN M BIRCH	05NOV75	TE Connectivity	
DIMENSIONS: INCHES		CHK -	APVD -		
		TOLERANCES UNLESS OTHERWISE SPECIFIED: 0 PLC ± - 1 PLC ± - 2 PLC ± - 3 PLC ± - 4 PLC ± - ANGLES ± -		PRODUCT SPEC -	
MATERIAL		FINISH -		APPLICATION SPEC -	RESTRICTED TO -
		WEIGHT -		SIZE A3	CAGE CODE 00779
		CUSTOMER DRAWING		DRAWING NO C=20C217	
		SCALE NTS		SHEET 1 OF 1	REV A