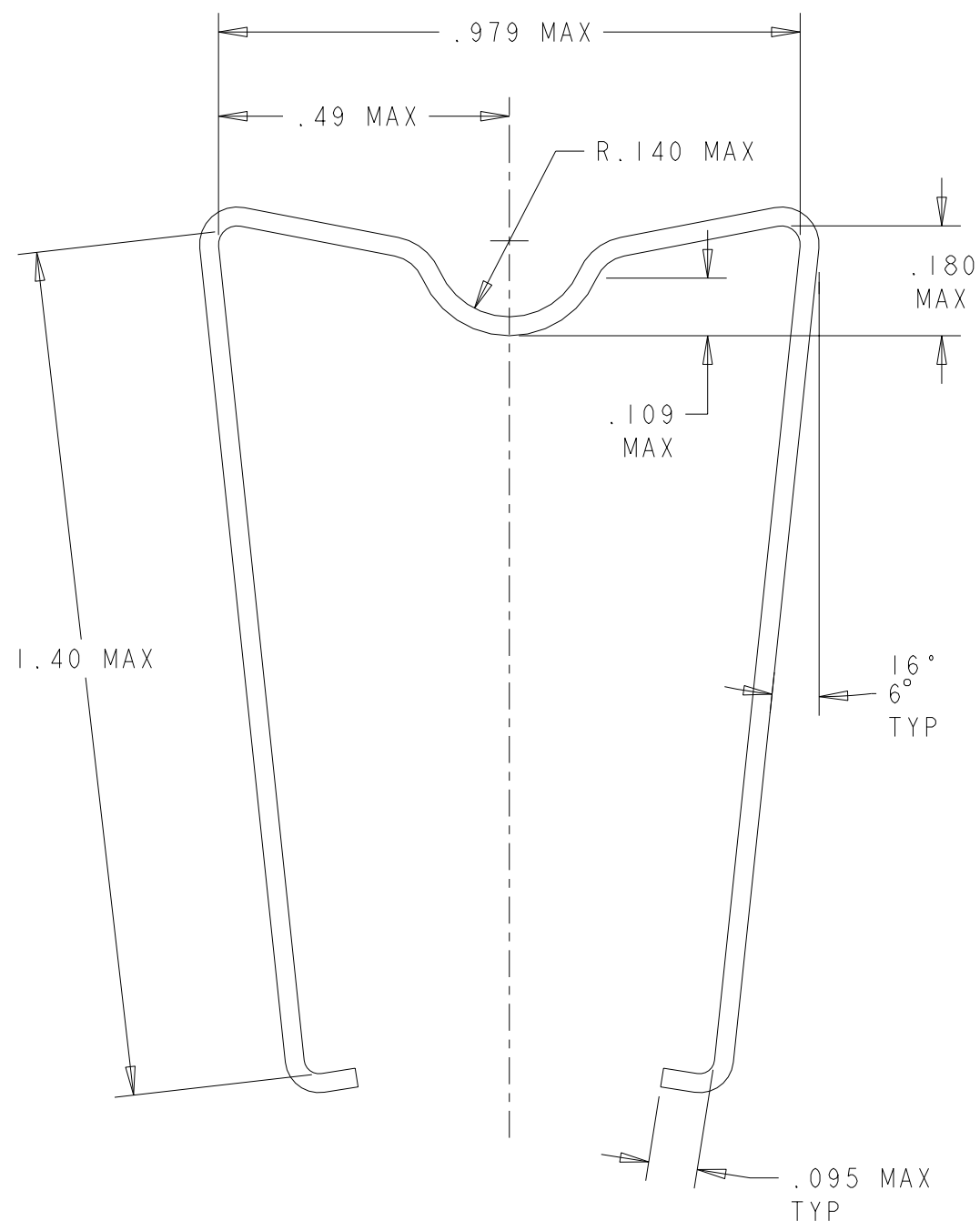
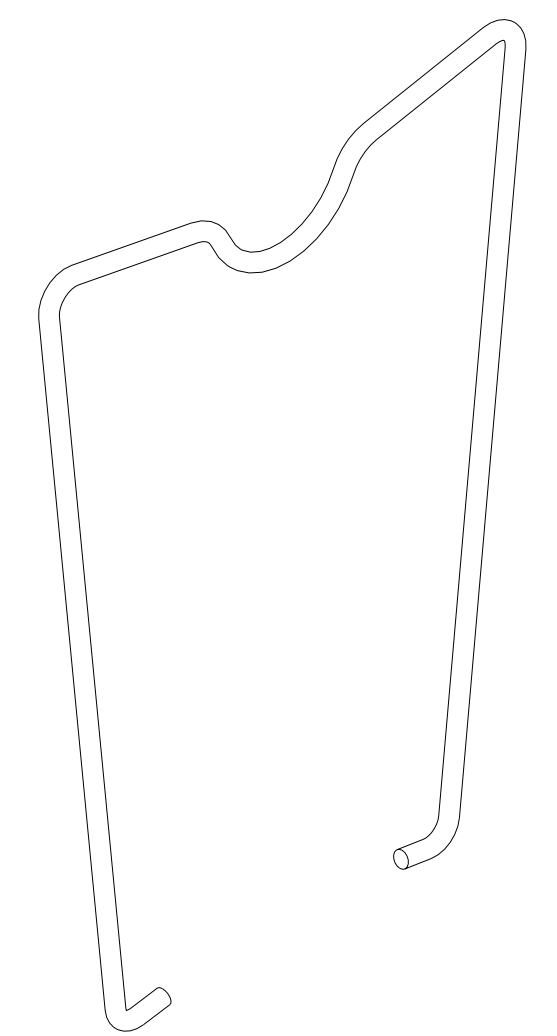


THIS DRAWING IS UNPUBLISHED. RELEASED FOR PUBLICATION 20  
 © COPYRIGHT 20 BY TYCO ELECTRONICS CORPORATION. ALL RIGHTS RESERVED.

LOC	DIST	REVISIONS			
P	LTR	DESCRIPTION	DATE	DWN	APVD
GZ	00				
	A	EC: 0710-0178-04	02APR2004	KZ	WS



WIRE  
 .031  
 REF



TYCO PART NO: 3-1393159-5

<small>THIS DRAWING IS A CONTROLLED DOCUMENT FOR TYCO ELECTRONICS CORPORATION          IT IS SUBJECT TO CHANGE AND THE CONTROLLING ENGINEERING ORGANIZATION          SHOULD BE CONTACTED FOR THE LATEST REVISION.</small>		DWN K. ZARBOCK 02APR2004	Potter & Brumfield Tyco Electronics Harrisburg, PA 17105-3608	
DIMENSIONS: INCHES		CHK W. SORAH 02APR2004	NAME	
TOLERANCES UNLESS OTHERWISE SPECIFIED: 0 PLC ±- 1 PLC ±0.1 2 PLC ±0.01 3 PLC ±0.003 4 PLC ±- ANGLES ±1°		APVD W. SORAH 02APR2004	WIRE RETAINER, (2 POLE)	
MATERIAL SS 302	FINISH -	PRODUCT SPEC -	APPLICATION SPEC -	RESTRICTED TO -
		WEIGHT -	SIZE A3	CAGE CODE 00779
		DRAWING NO C=20C249		
		CUSTOMER DRAWING		SCALE 4:1
		SHEET 1 OF 1		REV A