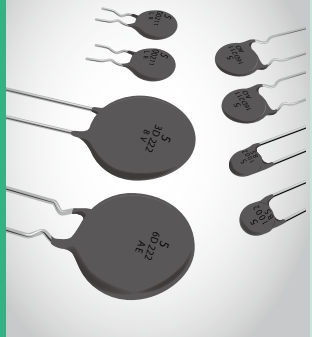


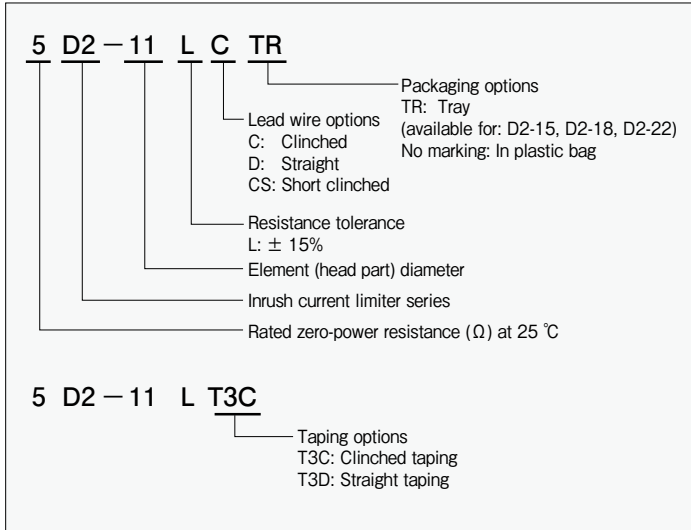
■ Inrush current limiter

Power Thermistor

Power thermistors utilize the self heating characteristic of NTC thermistors which causes a significant decrease in resistance in a short time. Power thermistors can be used instead of inrush current limiting resistors. Power thermistors have the advantage that their resistance decreases through self heating which reduces power loss and results in energy savings.
UL1434 File No. E92669 (1D2-22 excluded) certified.



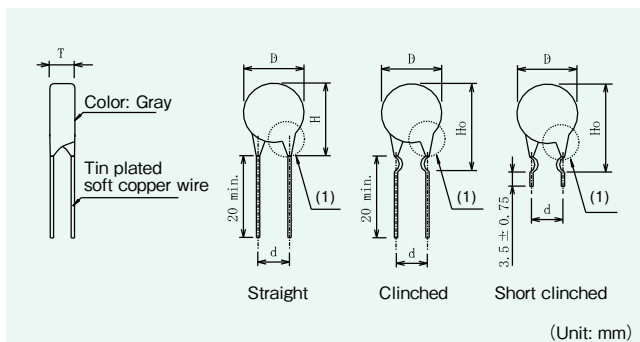
■ Product number explanation



■ Applications

Switching power supplies, adapters, LCD TVs, plasma TVs, air conditioners, DVD players, audio equipment, LCD projectors, copiers, PCs, printers, office automation equipment, gaming machine power supplies

■ Dimensions



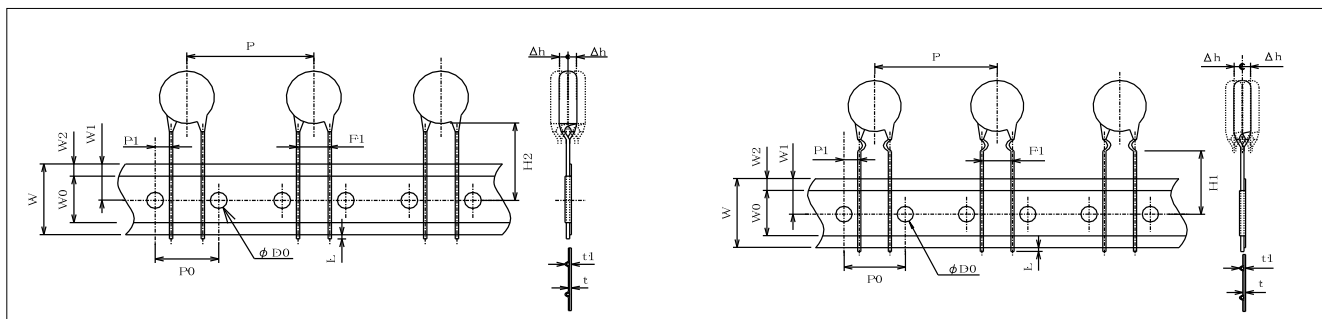
(1): Do not apply force to the lead wire legs from the side as this may damage the power thermistor.

| | D | T | H | H0 | d | Lead wire diameter |
|-------|-----------|------------------------|-----------|-----------|---------|--------------------|
| D2-05 | 8.5 max. | 7.0 max. | 11.5 max. | 15.5 max. | 5.0 ± 1 | Φ 0.8 |
| D2-07 | 11.0 max. | 9.0 max. | 13.0 max. | 16.0 max. | | |
| D2-08 | 10.0 max. | 7.0 max. | 13.0 max. | 17.0 max. | | |
| D2-10 | 13.0 max. | 9.0 max. | 17.0 max. | 19.5 max. | 7.5 ± 1 | |
| D2-11 | 11.5 max. | 8.0 max. | 15.0 max. | 18.5 max. | | |
| D2-13 | 14.5 max. | 8.0 max. | 18.0 max. | 21.5 max. | | |
| D2-14 | 17.0 max. | 9.0 max. | 21.0 max. | 22.5 max. | 10 ± 1 | Φ 1.0 (Φ 0.8) |
| D2-15 | 16.5 max. | 8.0 max. | 20.0 max. | 23.0 max. | | |
| D2-18 | 19.5 max. | 8.0 max. | 23.0 max. | 26.0 max. | | |
| D2-22 | 23.0 max. | 8.5 max. (8.0 max.) | 26.5 max. | 29.5 max. | | |

1: D2-22

Unit: mm

■ Taping dimensions



| | P | P0 | P1 | W | W0 | W1 | W2 | H1 | H2 | L | F1 | Φ D0 | t | t1 | Δ h | |
|-------|------------|------------|------------|--------------|----------|-----------|---------|------------|--------------|----------|-----------|-----------|-----------|----------|---------|--|
| D2-05 | 15.0 ± 1.0 | 15.0 ± 0.3 | 5.0 ± 0.7 | 17.5 to 19.0 | min. 5.0 | 9.0 ± 0.5 | max.3.0 | 16.0 ± 0.5 | 19.0 to 21.5 | max. 1.0 | 5.0 ± 0.5 | 4.0 ± 0.2 | 0.6 ± 0.3 | max. 1.5 | 0 ± 2.0 | |
| D2-07 | | | | | | | | | | | | | | | | |
| D2-08 | | | | | | | | | | | | | | | | |
| D2-10 | | | | | | | | | | | | | | | | |
| D2-11 | 30.0 ± 1.0 | | 3.75 ± 0.7 | | | | | | | | 7.5 ± 0.5 | | | | | |
| D2-13 | | | | | | | | | | | | | | | | |
| D2-14 | | | | | | | | | | | | | | | | |

• MOQ: 1000 pcs.

Unit: mm

